

VILLA PALMA PROFESSIONAL PLAZA

BEING A REPLAT OF A PORTION OF TRACT "H" OF THE PLAT OF VILLA PALMA AT NORTHLAKE, AS RECORDED IN PLAT BOOK 101, AT PAGES 141 THROUGH 143, OF THE PUBLIC RECORDS OF PALM BEACH COUNTY, FLORIDA, SAID LANDS LYING IN A PORTION OF THE SOUTHWEST QUARTER OF SECTION 13, TOWNSHIP 42 SOUTH, RANGE 42 EAST, PALM BEACH COUNTY, FLORIDA
AUGUST 2004
SHEET 2 OF 2

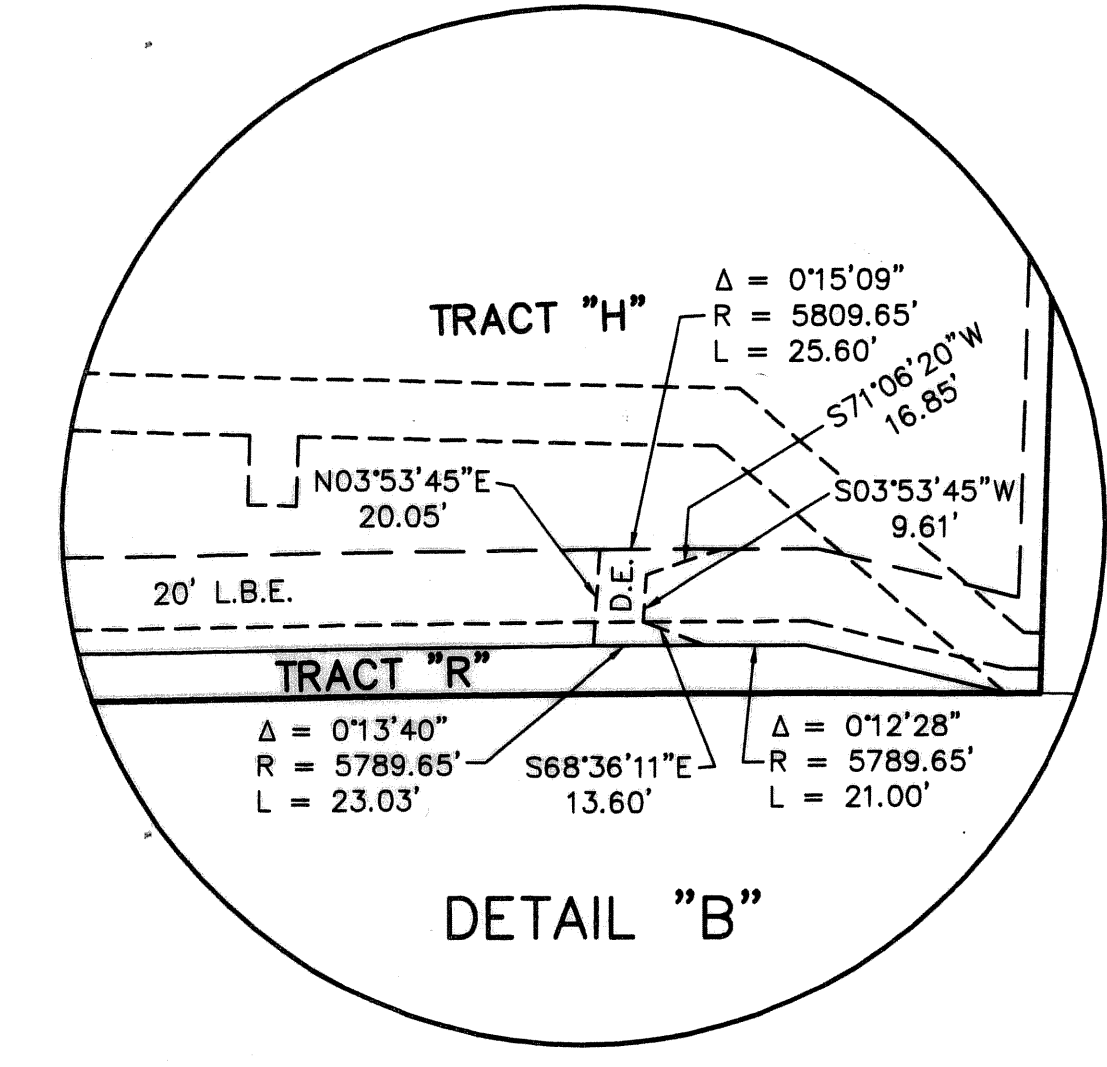
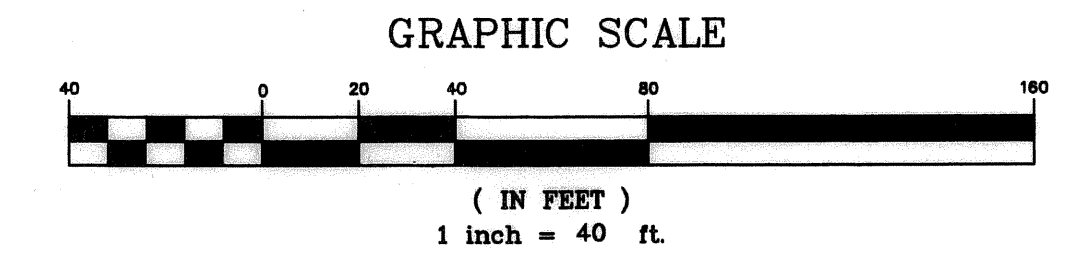
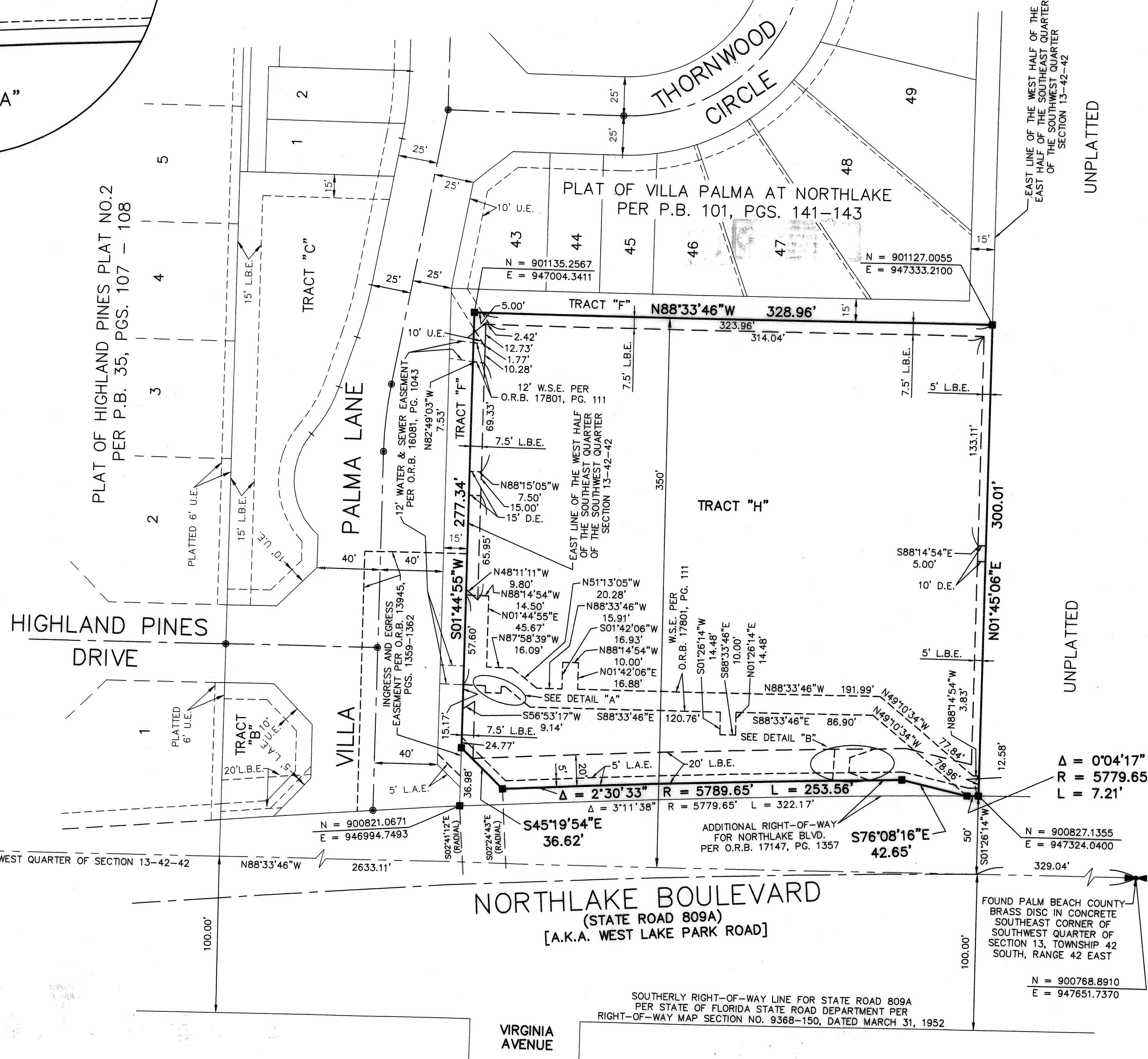
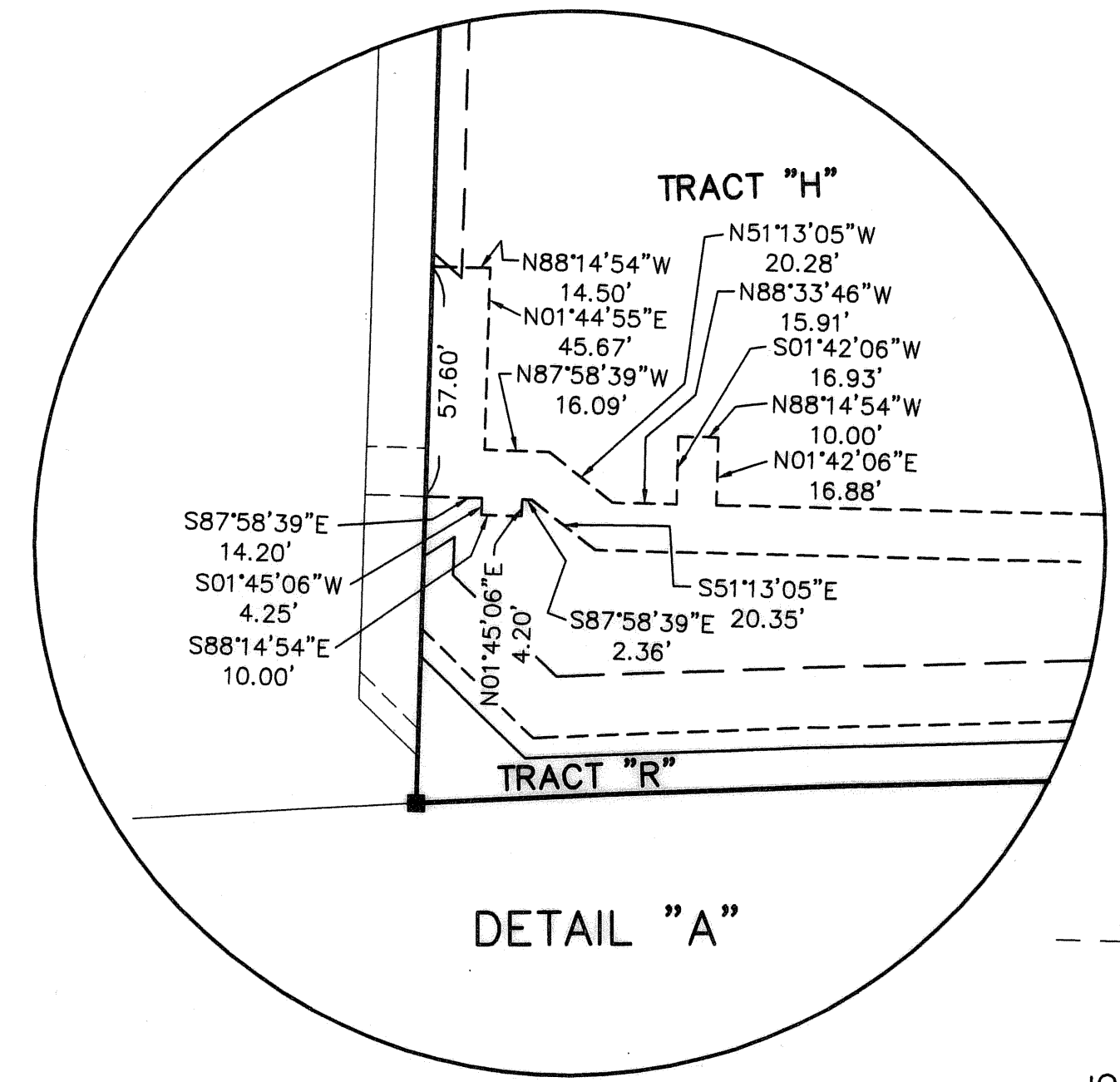
LEGEND

- - DENOTES SET PERMANENT REFERENCE MONUMENT, LB 6557
- N.T.S. - DENOTES NOT TO SCALE
- P.B. - DENOTES PLAT BOOK
- O.R.B. - DENOTES OFFICIAL RECORD BOOK
- PGS. - DENOTES PAGES
- U.E. - DENOTES UTILITY EASEMENT
- P.S.M. - DENOTES PROFESSIONAL SURVEYOR & MAPPER
- (R.L.) - DENOTES RADIAL LINE
- ⊙ - DENOTES PERMANENT CONTROL POINT
- L.A.E. - DENOTES LIMITED ACCESS EASEMENT
- L.B.E. - DENOTES LANDSCAPE BUFFER EASEMENT
- W.S.E. - DENOTES WATER AND SEWER EASEMENT
- C.B. - DENOTES CHORD BEARING
- C.D. - DENOTES CHORD DISTANCE
- Δ - DENOTES DELTA OR CENTRAL ANGLE
- R - DENOTES RADIUS DISTANCE
- L - DENOTES LENGTH OF CURVE ARC
- C.N.S. - DENOTES CENTERLINE
- N - DENOTES NORTH
- S - DENOTES SOUTH
- E - DENOTES EAST
- W - DENOTES WEST
- D.E. - DENOTES DRAINAGE EASEMENT

STATE OF FLORIDA
COUNTY OF PALM BEACH
This plat was filed for record at _____ M., this _____ day of _____, and duly recorded in Plat Book No. _____ on Pages _____ through _____.

DOROTHY H. WILKEN
Clerk Circuit Court

By _____ D.C.



SUBDIVISION Villa Palma Professional Plaza
BOOK 104
PAGE 002
FLOOD ZONE 5
QUAD # 26
SE
TAX 097
FUD NAME

SOUTH LINE OF THE SOUTHWEST QUARTER OF SECTION 13-42-42
FOUND PALM BEACH COUNTY BRASS DISC IN CONCRETE SOUTHWEST CORNER OF SECTION 13, TOWNSHIP 42 SOUTH, RANGE 42 EAST
N = 900834.9210
E = 945019.3730

FOUND PALM BEACH COUNTY BRASS DISC IN CONCRETE SOUTHWEST CORNER OF SECTION 13, TOWNSHIP 42 SOUTH, RANGE 42 EAST
N = 900768.8910
E = 947651.7370

SOUTHERLY RIGHT-OF-WAY LINE FOR STATE ROAD 809A PER STATE OF FLORIDA STATE ROAD DEPARTMENT PER RIGHT-OF-WAY MAP SECTION NO. 9368-150, DATED MARCH 31, 1952

THIS INSTRUMENT WAS PREPARED BY
JOHN H. MANUCY, JR. P.S.M. 5158 STATE OF FLORIDA
FORD, ARMENTEROS & MANUCY, INC. (LB 6557)
1695 W. INDIANTOWN ROAD, SUITE 14
JUPITER, FLORIDA 33458
561-743-2210