

BORLAND CENTER

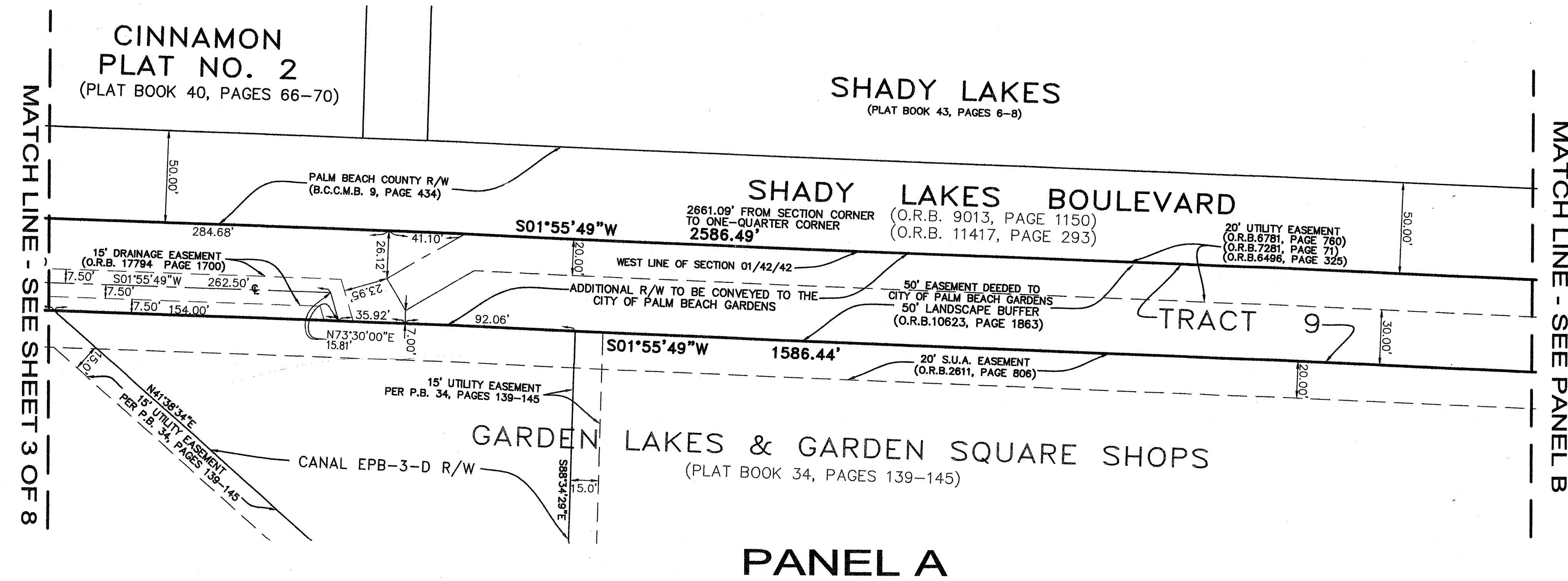
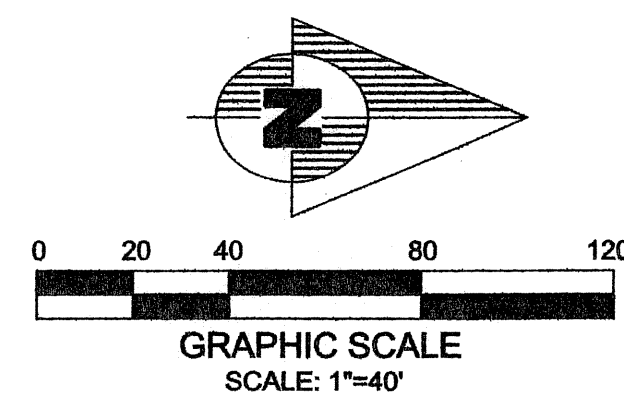
IN SECTION 1, TOWNSHIP 42 SOUTH, RANGE 42 EAST
CITY OF PALM BEACH GARDENS, PALM BEACH COUNTY, FLORIDA
NOVEMBER 2004 SHEET 7 OF 8 SHEETS

STATE OF FLORIDA
COUNTY OF PALM BEACH } SS

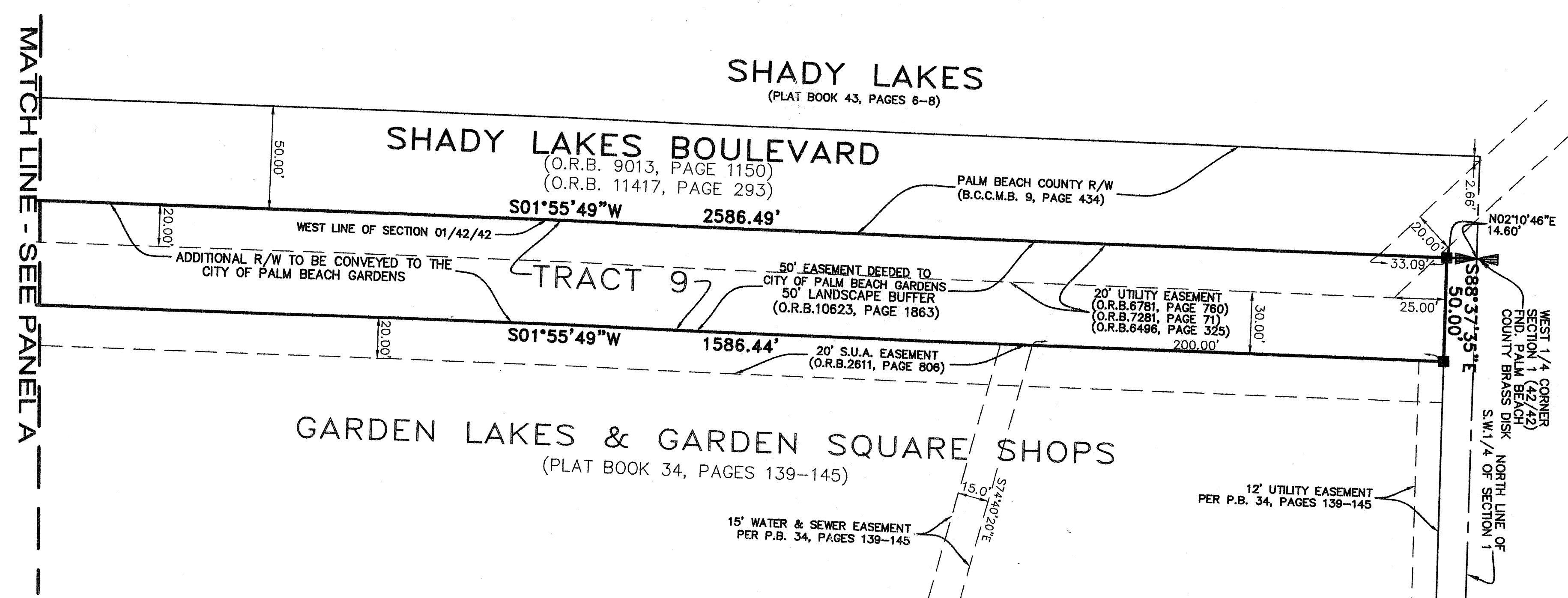
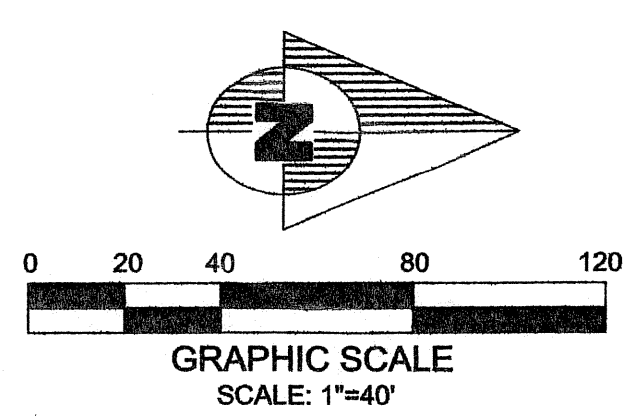
THIS PLAT WAS FILED FOR
RECORD AT _____ DAY OF
_____, A.D., 2004 AND
DULY RECORDED IN PLAT BOOK
_____ ON PAGES _____ AND

DOROTHY H. WILKEN, CLERK
CIRCUIT COURT

BY: _____ DC



PANEL A



PANEL B