

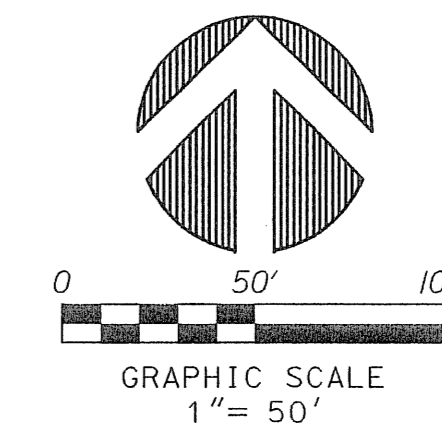
PERIMETER

SURVEYING & MAPPING
Prepared by: Jeff S. Hodapp, P.S.M.
Certificate of Authorization No. LB7264
951 Broken Sound Parkway, Suite 320
Boca Raton, Florida 33487
Tel: (561) 241-9988
Fax: (561) 241-5182

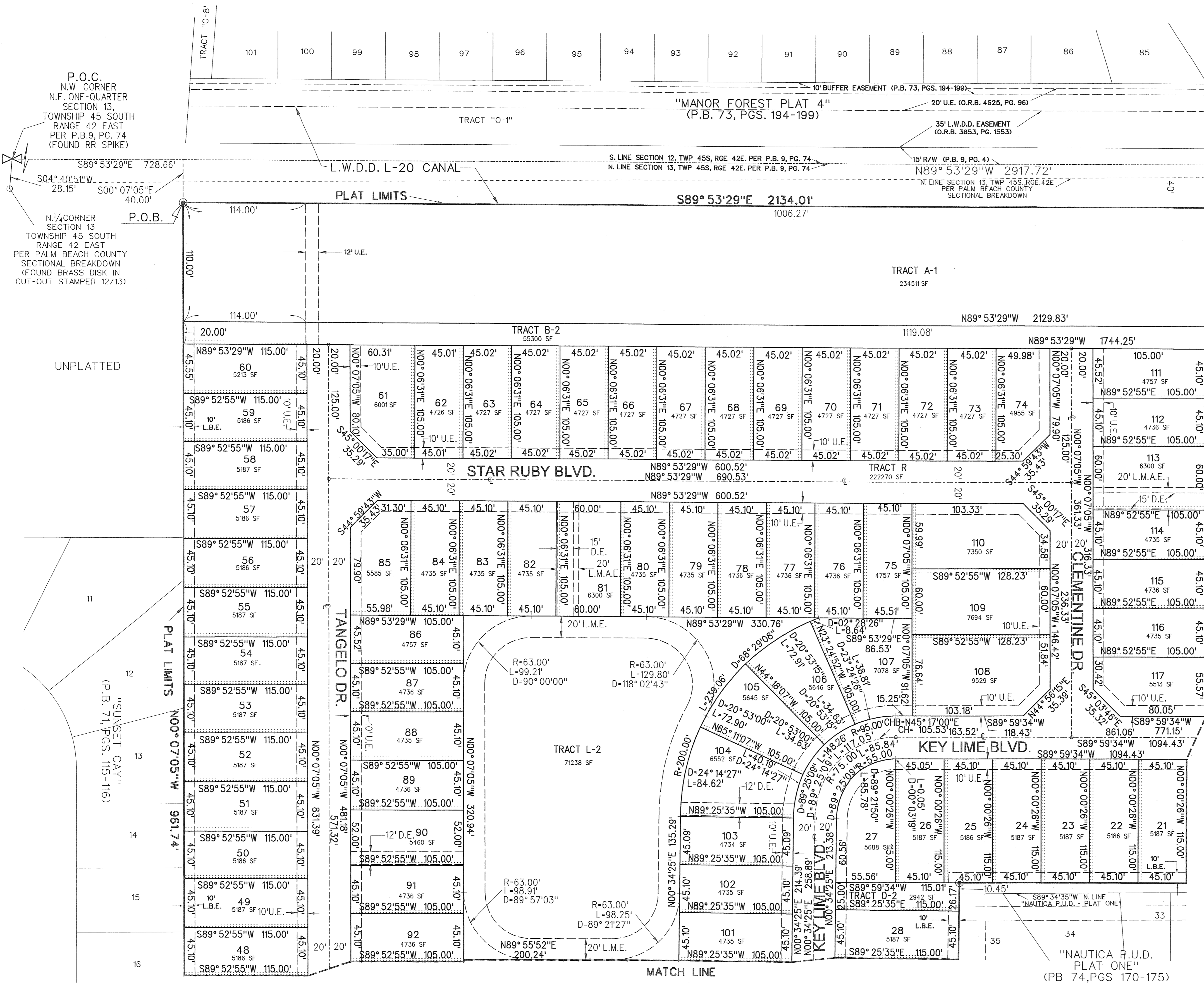
KNOLLWOOD P.U.D.

A PORTION OF THE NORTHEAST ONE-QUARTER OF SECTION 13, TOWNSHIP 45 SOUTH,
RANGE 42 EAST, CITY OF BOYNTON BEACH, PALM BEACH COUNTY, FLORIDA.
JANUARY 2006

0057



SHEET 3 OF 4



P.O.C.
N.W. CORNER
N.E. ONE-QUARTER
SECTION 13,
TOWNSHIP 45 SOUTH
RANGE 42 EAST
PER P.B.9, PG. 74
(FOUND RR SPIKE)

S04°40'51"W 28.15'
S00°07'05"E 40.00'

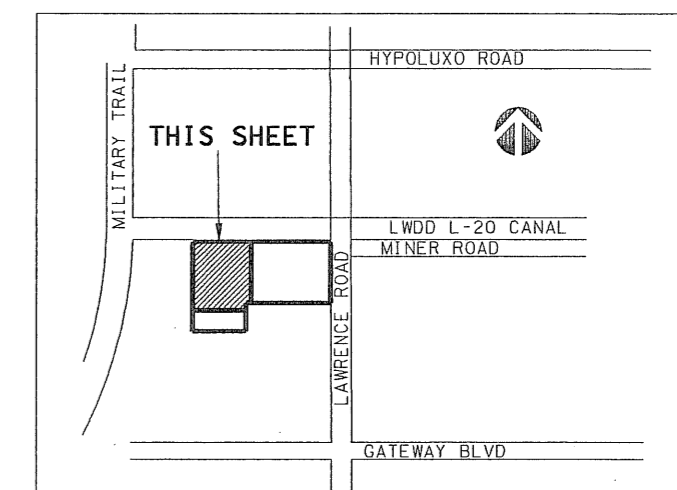
N. 1/4 CORNER
SECTION 13
TOWNSHIP 45 SOUTH
RANGE 42 EAST
PER PALM BEACH COUNTY
SECTIONAL BREAKDOWN
(FOUND BRASS DISK IN
CUT-OUT STAMPED 12/13)

UNPLATTED

11
12
13
14
15
16

"SUNSET CAY"
(P.B. 71, PGS. 115-116)

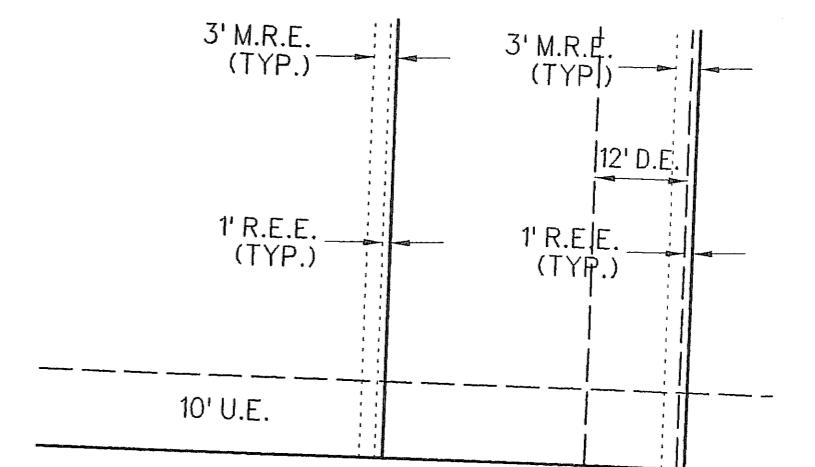
MATCH LINE
SEE SHEET 4



KEY MAP
NOT TO SCALE

- ABBREVIATIONS:**
- AC ACRES
 - CH CHORD
 - CHB CHORD BEARING
 - CONG. CONCRETE
 - COR. CORNER
 - D DELTA (CENTRAL ANGLE)
 - D.E. DRAINAGE EASEMENT
 - I.R. IRON ROD
 - I.R.C. IRON ROD AND CAP
 - L. ARCLength
 - L.B. LICENSED BUSINESS
 - L.B.E. LANDSCAPE BUFFER EASEMENT
 - L.M.E. LAKE MAINTENANCE EASEMENT
 - L.M.A.E. LAKE MAINTENANCE ACCESS EASEMENT
 - L.S. LICENSED SURVEYOR
 - L.W.D.D. LAKE WORTH DRAINAGE DISTRICT
 - MON. MONUMENT
 - M.R.E. MAINTENANCE AND REPAIR EASEMENT
 - O.R.B. OFFICIAL RECORDS BOOK
 - N.R. NON-RADIAL
 - P.B. PLAT BOOK
 - P.B.C.R. PALM BEACH COUNTY RECORDS
 - PG. PAGE
 - P.C.P. PERMANENT CONTROL POINT
 - P.O.B. POINT OF BEGINNING
 - P.O.C. POINT OF COMMENCEMENT
 - P.R.M. PERMANENT REFERENCE MONUMENT
 - P.S.M. PROFESSIONAL SURVEYOR & MAPPER
 - P.U.D. PLANNED UNIT DEVELOPMENT
 - R. RADIUS
 - R.E.E. ROOF ENCROACHMENT EASEMENT
 - R.W. RIGHT-OF-WAY
 - SEC. SECTION
 - S.F. SQUARE FEET
 - U.E. UTILITY EASEMENT
 - L.A.E. LIMITED ACCESS EASEMENT

- LEGEND:**
- SET P.R.M. (UNLESS OTHERWISE NOTED)-ALUMINUM DISK STAMPED 1/8" X 1/4" CONC. MON.
 - P.C.P. CENTERLINE



TYPICAL LOT LINE DETAIL
NOT TO SCALE

SEE SHEET 2
MATCH LINE

"NAUTICA P.U.D.
PLAT ONE"
(PB 74, PGS 170-175)