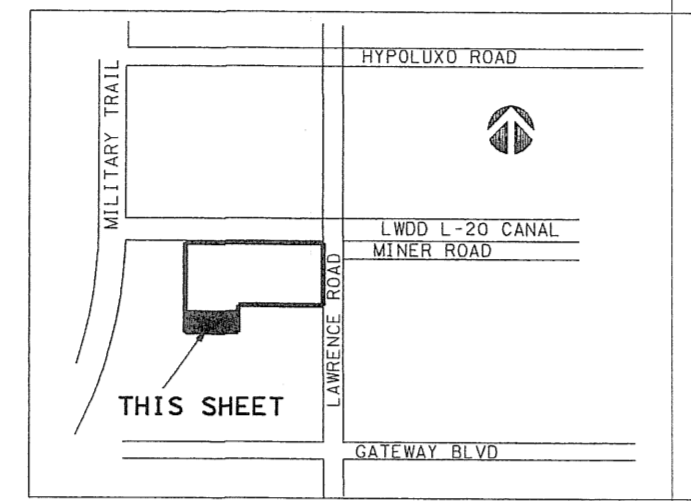


PERIMETER

SURVEYING & MAPPING
Prepared by: Jeff S. Hodapp, P.S.M.
Certificate of Authorization No. LB7264
951 Broken Sound Parkway, Suite 320
Boca Raton, Florida 33487
Tel: (561) 241-9988
Fax: (561) 241-5182

KNOLLWOOD P.U.D. A PORTION OF THE NORTHEAST ONE-QUARTER OF SECTION 13, TOWNSHIP 45 SOUTH, RANGE 42 EAST, CITY OF BOYNTON BEACH, PALM BEACH COUNTY, FLORIDA. JANUARY 2006

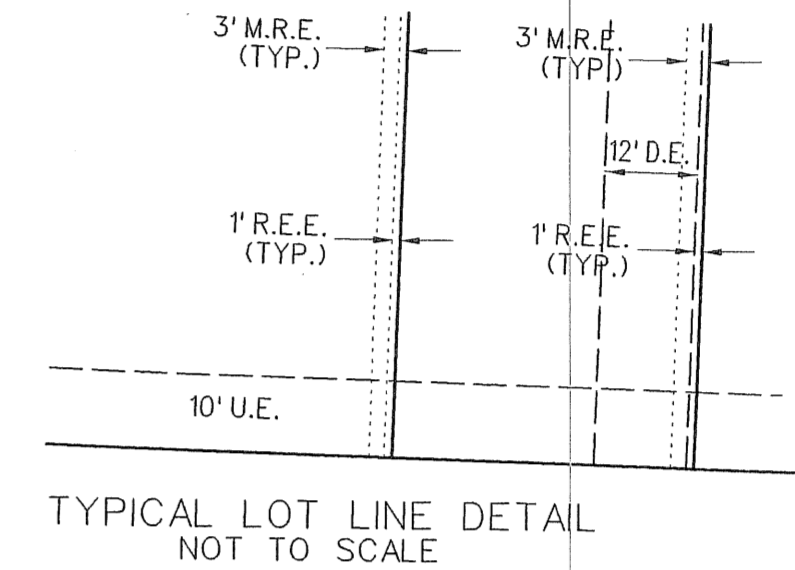
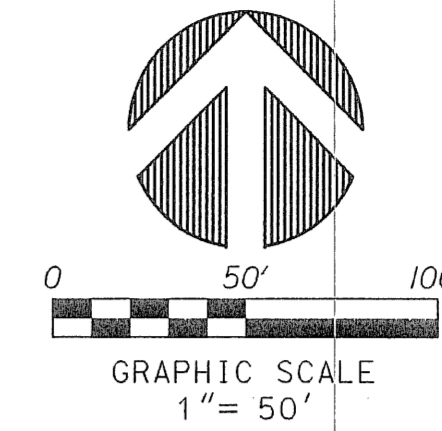
0058



KEY MAP
NOT TO SCALE

LEGEND:
○ SET P.R.M. (UNLESS OTHERWISE NOTED) - ALUMINUM DISK
4" x 4" CONC. MON.
P.C.P. CENTERLINE

- ABBREVIATIONS:
- AC. ACRES
 - CHB CHORD BEARING
 - CONC. CONCRETE
 - COR. CORNER
 - D DELTA (CENTRAL ANGLE)
 - D.E. DRAINAGE EASEMENT
 - I.R. IRON ROD
 - I.R.C. IRON ROD AND CAP
 - L. ARCLength
 - L.B. LICENSED BUSINESS
 - L.B.E. LANDSCAPE BUFFER EASEMENT
 - L.M.E. LAKE MAINTENANCE EASEMENT
 - L.M.A.E. LAKE MAINTENANCE ACCESS EASEMENT
 - L.S. LICENSED SURVEYOR
 - L.W.D.D. LAKE WORTH DRAINAGE DISTRICT
 - MON. MONUMENT
 - M.R.E. MAINTENANCE AND REPAIR EASEMENT
 - O.R.B. OFFICIAL RECORDS BOOK
 - N.R. NON-RADIAL
 - P.B. PLAT BOOK
 - P.B.C.R. PALM BEACH COUNTY RECORDS
 - PO. PAGE
 - P.C.P. PERMANENT CONTROL POINT
 - P.O.B. POINT OF BEGINNING
 - P.O.C. POINT OF COMMENCEMENT
 - P.R.M. PERMANENT REFERENCE MONUMENT
 - P.S.M. PROFESSIONAL SURVEYOR & MAPPER
 - P.U.D. PLANNED UNIT DEVELOPMENT
 - R. RADIUS
 - R.E.E. ROOF ENCROACHMENT EASEMENT
 - R/W. RIGHT-OF-WAY
 - SEC. SECTION
 - S.F. SQUARE FEET
 - U.E. UTILITY EASEMENT
 - L.A.E. LIMITED ACCESS EASEMENT



SHEET 4 OF 4

