

**PERIMETER**  
**SURVEYING & MAPPING**  
 Certificate of Authorization No. LB7264  
 Prepared by: Jeff S. Hodapp, P.S.M.  
 951 Broken Sound Parkway, Suite 320  
 Boca Raton, Florida 33487  
 Tel: (561) 241-9988  
 Fax: (561) 241-5182

**LEGEND:**

- CONC.
- COR.
- D.E.
- L.B.
- L.E.
- L.M.E.
- L.M.A.E.
- L.S.
- L.S.E.
- L.W.D.D.
- MON.
- O.R.B.
- N.R.
- P.B.C.R.
- P.C.
- P.C.P.
- P.O.B.
- P.O.C.
- P.R.M.
- P.S.M.
- P.U.D.
- R.E.E.
- R.W.
- SEC.
- S.F.
- U.E.

**ABBREVIATIONS:**

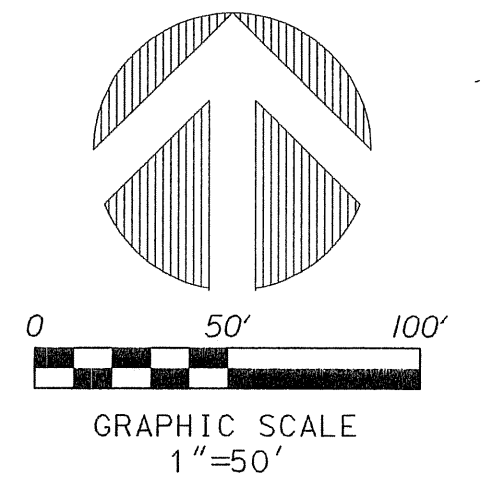
- CHORD
- CHORD BEARING
- CONCRETE
- CORNER
- DELTA (CENTRAL ANGLE)
- DRAINAGE EASEMENT
- ARC LENGTH
- LICENSED BUSINESS
- LANDSCAPE EASEMENT
- LAKE MAINTENANCE EASEMENT
- LAKE MAINTENANCE ACCESS EASEMENT
- LICENSED SURVEYOR
- LIFT STATION EASEMENT
- LAKE WORTH DRAINAGE DISTRICT
- MONUMENT
- OFFICIAL RECORDS BOOK
- NON-RADIAL
- PLAT BOOK
- PALM BEACH COUNTY RECORDS
- PAGE
- PERMANENT CONTROL POINT
- POINT OF BEGINNING
- POINT OF COMMENCEMENT
- PERMANENT REFERENCE MONUMENT
- PROFESSIONAL SURVEYOR & MAPPER
- PLANNED UNIT DEVELOPMENT
- RADIUS
- ROOF ENCROACHMENT EASEMENT
- RIGHT-OF-WAY
- SECTION
- SQUARE FEET
- UTILITY EASEMENT

SET P.R.M. (UNLESS OTHERWISE NOTED) 4" X 4" CONC. MON. WITH ALUMINUM DISK STAMPED P.R.M. #LB7264 P.C.P. CENTERLINE

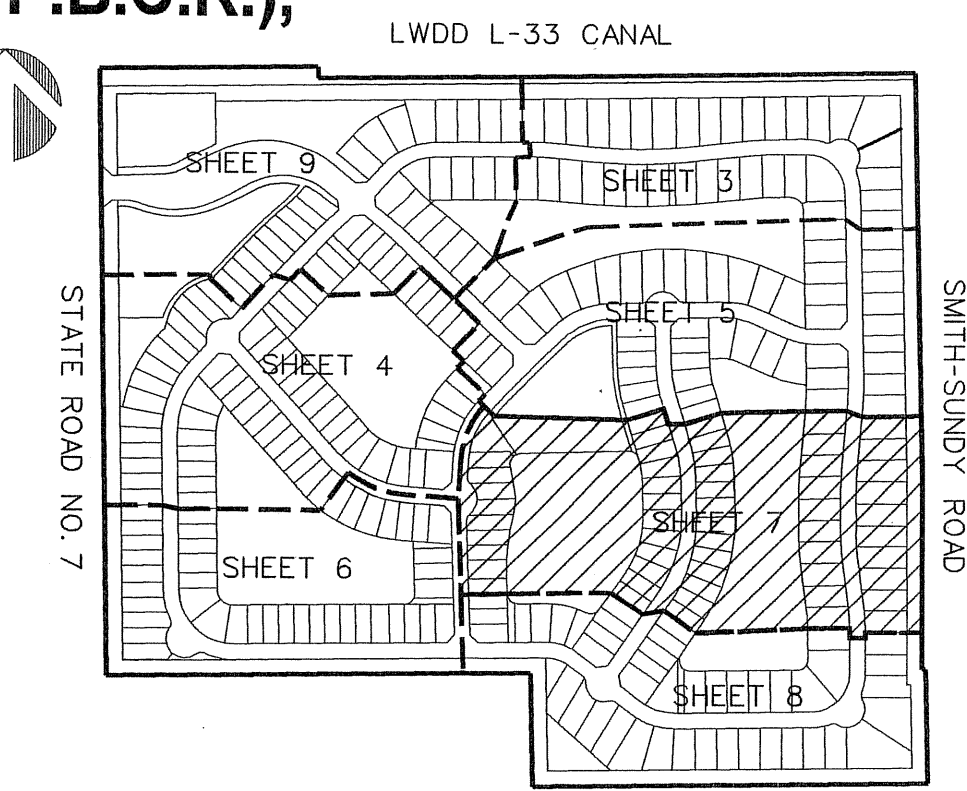
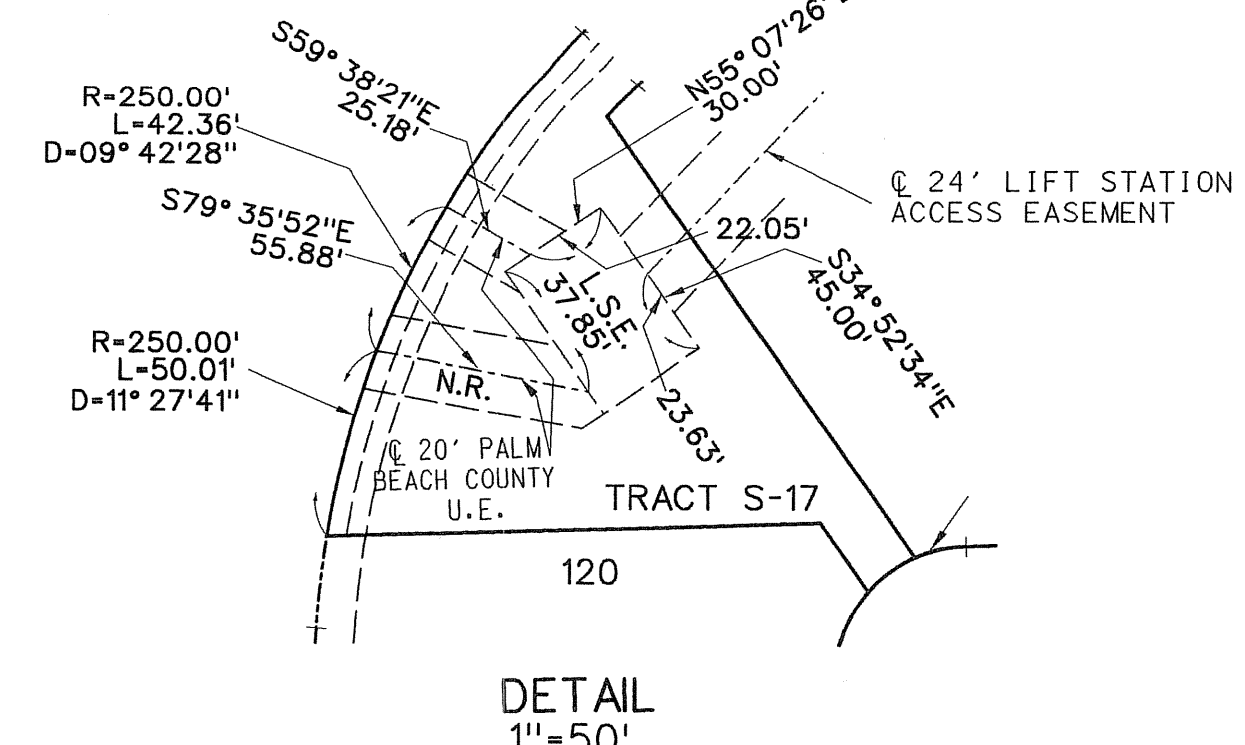
# TIVOLI ISLES P.U.D.

## 441 - ATLANTIC P.U.D. (CONTROL NO. 04-206)

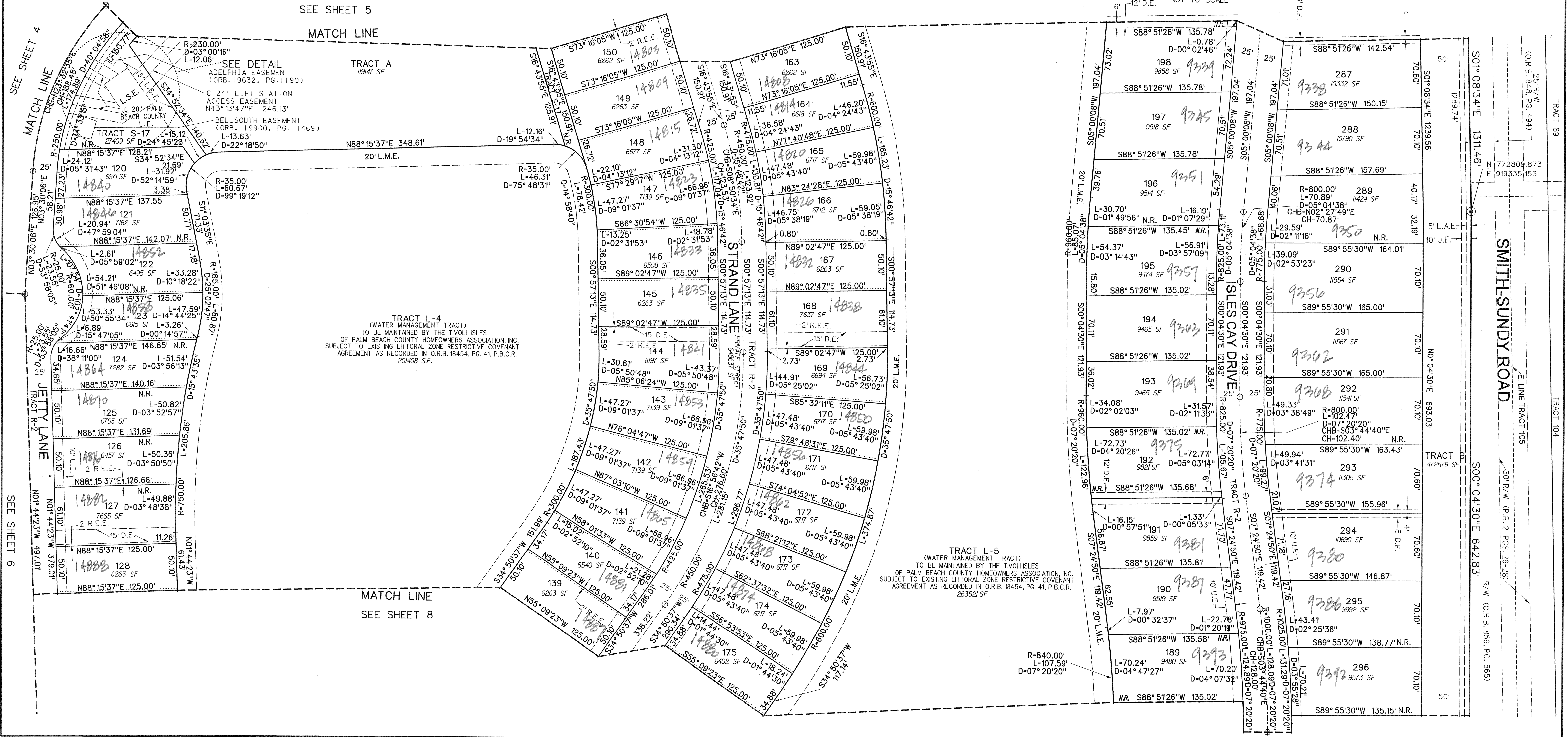
### A REPLAT OF ALL OF TRACTS 79-87, 106-112, AND A PORTION OF TRACTS 73-78, 88, 105, AND 117-120, TOGETHER WITH A PORTION OF THE PLATTED ACREAGE WEST OF SAID TRACTS 80, 81 AND 112, ALL IN SECTION 18, TOWNSHIP 46 SOUTH, RANGE 42 EAST, OF "PALM BEACH FARMS COMPANY PLAT NO. 1" (P.B. 2, PGS. 26-28, P.B.C.R.), PALM BEACH COUNTY, FLORIDA. DECEMBER, 2005



98



**SHEET 7 OF 9**



SUBDIVISION TIVOLI ISLES  
 BOOK 107  
 FLOOD ZONE B  
 QUAD # 51  
 SE  
 TAZ 752  
 PUB NAME

SMITH-SUNDY ROAD  
 E LINE TRACT 105  
 30' R/W (P.B. 2, PGS. 26-28)  
 R/W (O.S.B. 859, PG. 565)

SEE SHEET 6

SEE SHEET 5

MATCH LINE

SEE DETAIL

SEE SHEET 8

MATCH LINE

SEE SHEET 4

MATCH LINE

SEE SHEET 5

MATCH LINE

SEE SHEET 4

MATCH LINE

SEE SHEET 5

MATCH LINE

SEE SHEET 4

MATCH LINE

SEE SHEET 5

MATCH LINE

SEE SHEET 4

MATCH LINE

SEE SHEET 5

MATCH LINE

SEE SHEET 4

MATCH LINE

SEE SHEET 5

MATCH LINE

SEE SHEET 4