

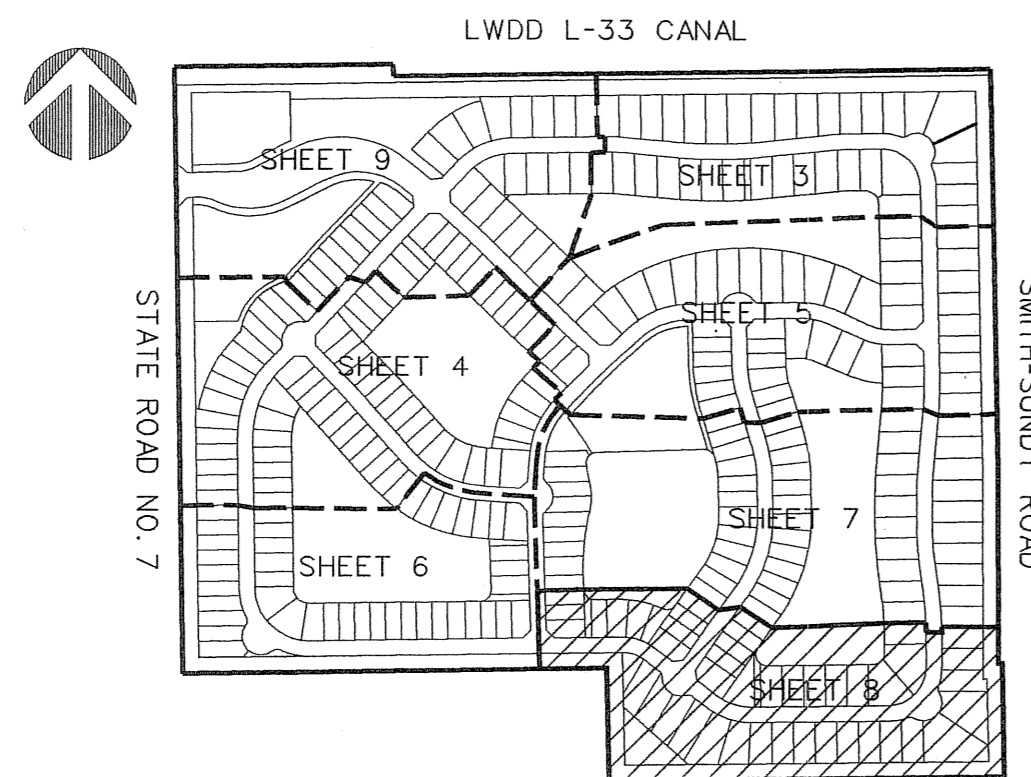


Certificate of Authorization No. LB7264
Prepared by: Jeff S. Hodapp, P.S.M.
951 Broken Sound Parkway, Suite 320
Boca Raton, Florida 33487
Tel: (561) 241-9988
Fax: (561) 241-5182

TIVOLI ISLES P.U.D.

441 - ATLANTIC P.U.D. (CONTROL NO. 04-206)

A REPLAT OF ALL OF TRACTS 79-87, 106-112, AND A PORTION OF TRACTS 73-78, 88, 105, AND 117-120, TOGETHER WITH A PORTION OF THE PLATTED ACREAGE WEST OF SAID TRACTS 80, 81 AND 112, ALL IN SECTION 18, TOWNSHIP 46 SOUTH, RANGE 42 EAST, OF "PALM BEACH FARMS COMPANY PLAT NO. 1" (P.B. 2, PGS. 26-28, P.B.C.R.), PALM BEACH COUNTY, FLORIDA. DECEMBER, 2005



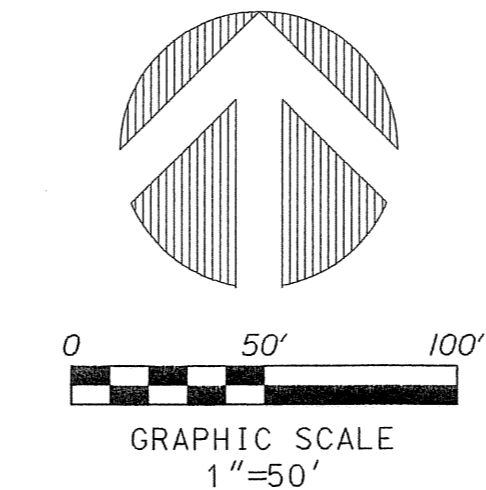
KEY MAP NOT TO SCALE

LEGEND:

- SET P.R.M. (UNLESS OTHERWISE NOTED)-4" X4" CONC. MON. WITH ALUMINUM DISK STAMPED P.R.M.+LB7264
- ⊙ P.C.P. CENTERLINE

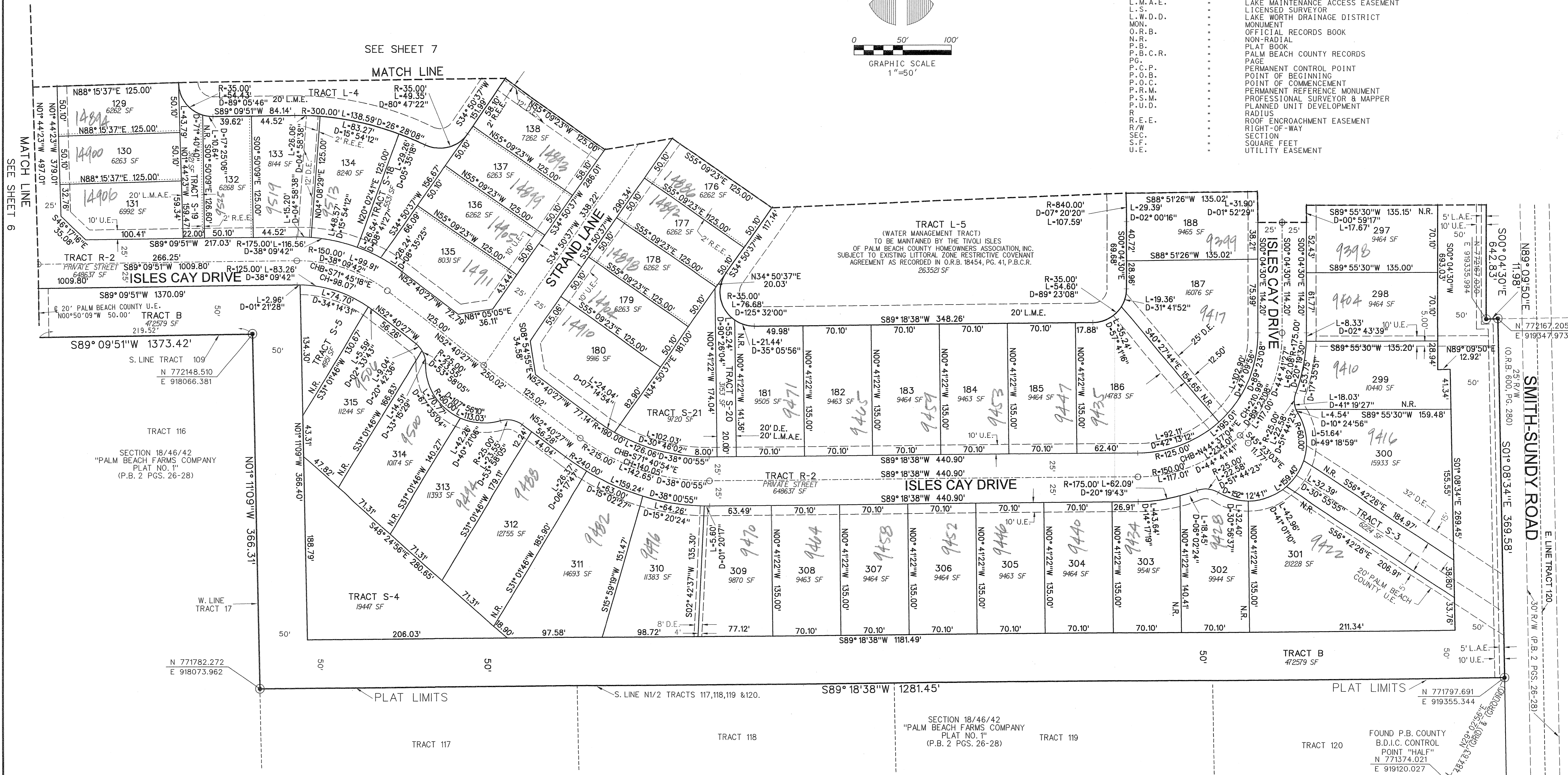
ABBREVIATIONS:

- CH CHORD
- CHB CHORD BEARING
- CONC. CONCRETE
- COR. CORNER
- Δ DELTA (CENTRAL ANGLE)
- D.E. DRAINAGE EASEMENT
- L. ARLENGTH
- L.B. LICENSED BUSINESS
- L.E. LANDSCAPE EASEMENT
- L.M.E. LAKE MAINTENANCE EASEMENT
- L.M.A.E. LAKE MAINTENANCE ACCESS EASEMENT
- L.S. LICENSED SURVEYOR
- L.W.D.D. LAKE WORTH DRAINAGE DISTRICT
- MON. MONUMENT
- O.R.B. OFFICIAL RECORDS BOOK
- N.R. NON-RADIAL
- P.B. PLAT BOOK
- P.B.C.R. PALM BEACH COUNTY RECORDS
- P.C. PAGE
- P.C.P. PERMANENT CONTROL POINT
- P.O.B. POINT OF BEGINNING
- P.O.C. POINT OF COMMENCEMENT
- P.R.M. PERMANENT REFERENCE MONUMENT
- P.S.M. PROFESSIONAL SURVEYOR & MAPPER
- P.U.D. PLANNED UNIT DEVELOPMENT
- R. RADIUS
- R.E.E. ROOF ENCROACHMENT EASEMENT
- R/W RIGHT-OF-WAY
- SEC. SECTION
- S.F. SQUARE FEET
- U.E. UTILITY EASEMENT



SEE SHEET 7

MATCH LINE



MATCH LINE SEE SHEET 6

SUBDIVISION TIVOLI ISLES
 BOOK 107
 FLOOD ZONE 4
 QUAD # 51
 SE 75B
 PUD NAME

TRACT 116
 SECTION 18/46/42
 "PALM BEACH FARMS COMPANY
 PLAT NO. 1"
 (P.B. 2 PGS. 26-28)

SECTION 18/46/42
 "PALM BEACH FARMS COMPANY
 PLAT NO. 1"
 (P.B. 2 PGS. 26-28)

FOUND P.B. COUNTY
 B.D.I.C. CONTROL
 POINT "HALF"
 N 771374.021
 E 919120.027