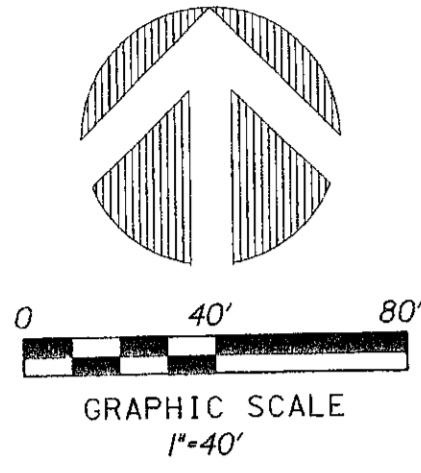


PERIMETER

SURVEYING & MAPPING
 Certificate of Authorization No. LB7264
 Prepared by: Jeff S. Hodapp, P.S.M.
 951 Broken Sound Parkway, Suite 320
 Boca Raton, Florida 33487
 Tel: (561) 241-9988
 Fax: (561) 241-5182



PALOMA, P.U.D.

A PORTION OF THE WEST ONE-HALF OF SECTION 36, TOWNSHIP 41 SOUTH,
 RANGE 42 EAST, AND A PORTION OF THE NORTHWEST ONE-QUARTER OF
 SECTION 1, TOWNSHIP 42 SOUTH, RANGE 42 EAST, PALM BEACH GARDENS,
 PALM BEACH COUNTY, FLORIDA.

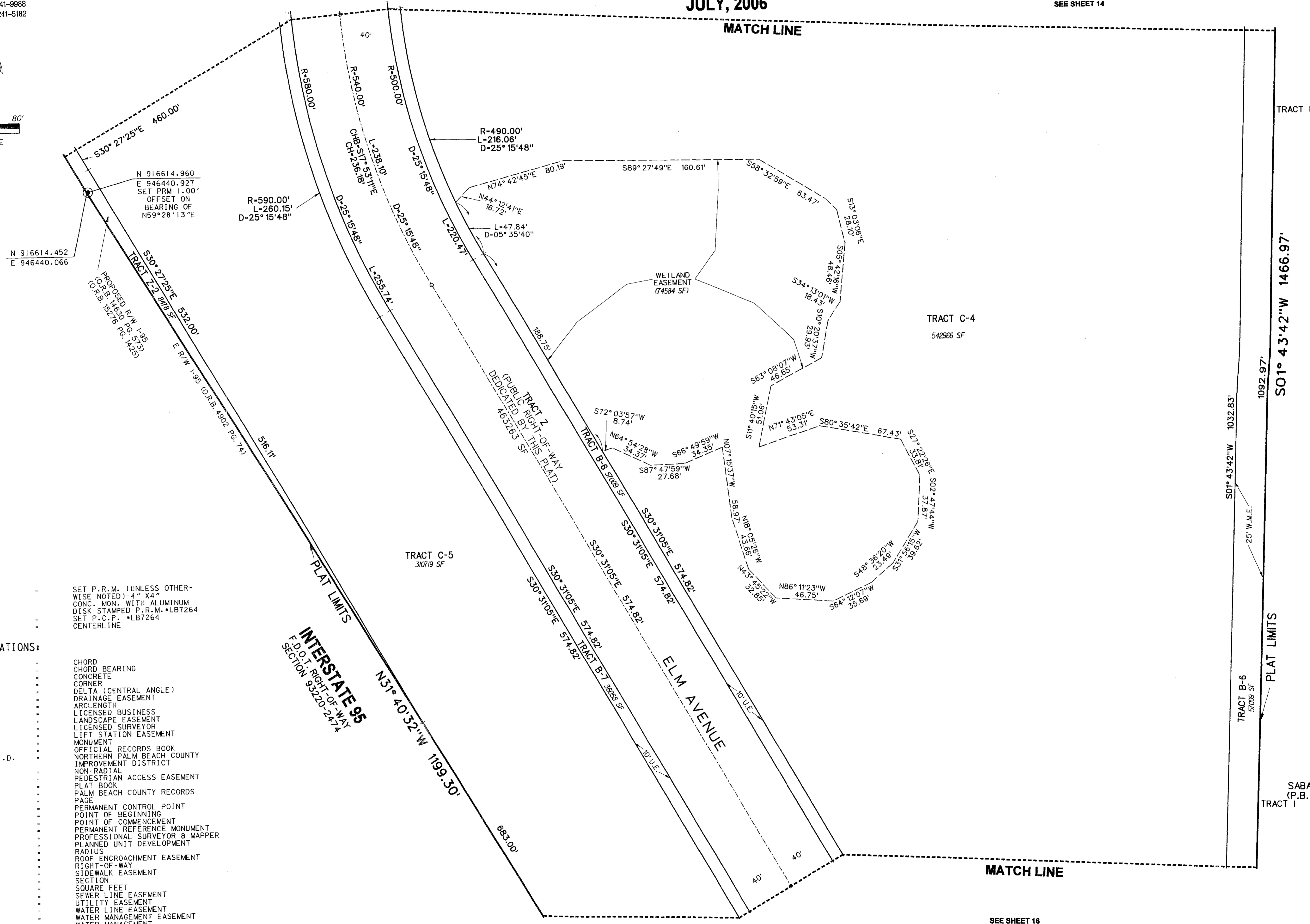
JULY, 2006

SEE SHEET 13

SEE SHEET 14

158

SHEET 15 OF 16

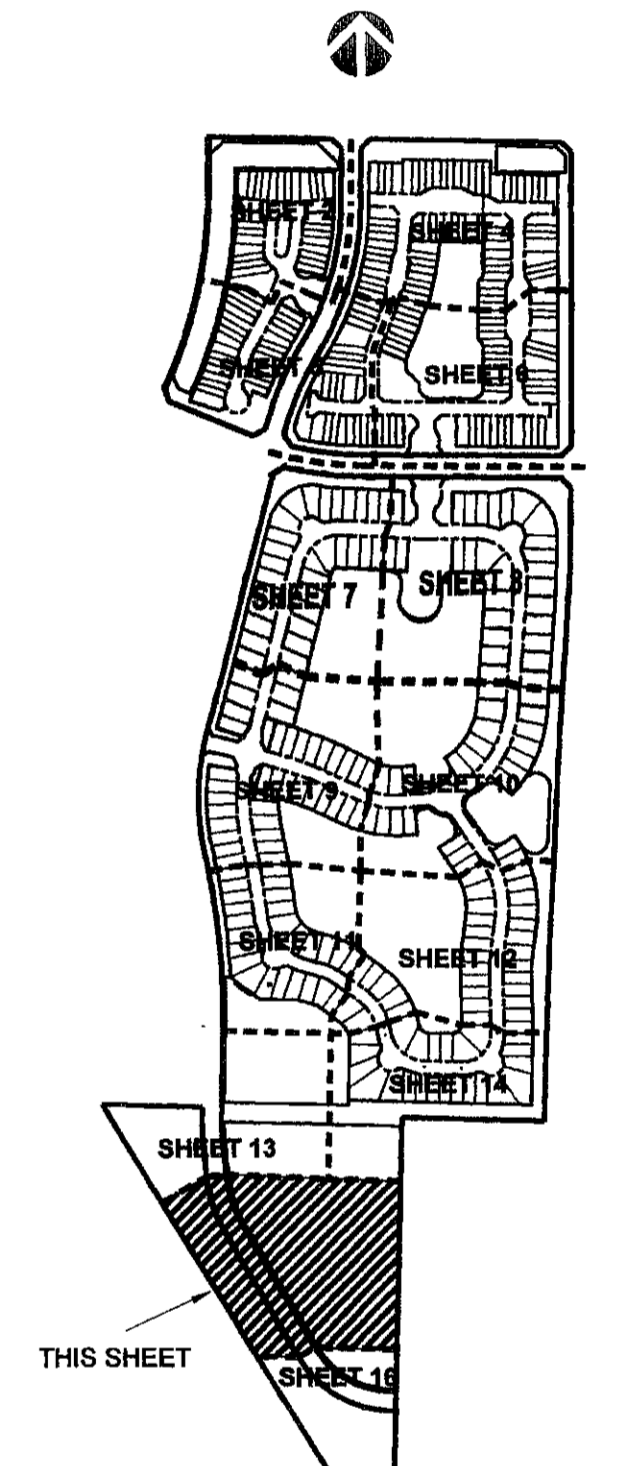


LEGEND:

- ⊙ SET P.R.M. (UNLESS OTHERWISE NOTED) - 4" X 4" CONC. MON. WITH ALUMINUM DISK STAMPED P.R.M. • LB7264
- SET P.C.P. • LB7264
- ⊕ CENTERLINE

ABBREVIATIONS:

- CH CHORD
- CHB CHORD BEARING
- CONC. CONCRETE
- COR. CORNER
- D DELTA (CENTRAL ANGLE)
- D.E. DRAINAGE EASEMENT
- L LENGTH
- L.B. LICENSED BUSINESS
- L.E. LANDSCAPE EASEMENT
- L.S. LICENSED SURVEYOR
- L.S.E. LIFT STATION EASEMENT
- MON. MONUMENT
- O.R.B. OFFICIAL RECORDS BOOK
- N.P.B.C.I.D. NORTHERN PALM BEACH COUNTY IMPROVEMENT DISTRICT
- N.R. NON-RADIAL
- P.A.E. PEDESTRIAN ACCESS EASEMENT
- P.B. PLAT BOOK
- P.B.C.R. PALM BEACH COUNTY RECORDS
- P.G. PAGE
- P.C.P. PERMANENT CONTROL POINT
- P.O.B. POINT OF BEGINNING
- P.O.C. POINT OF COMMENCEMENT
- P.R.M. PERMANENT REFERENCE MONUMENT
- P.S.M. PROFESSIONAL SURVEYOR & MAPPER
- P.U.D. PLANNED UNIT DEVELOPMENT
- R. RADIUS
- R.E.E. ROOF ENCROACHMENT EASEMENT
- R/W RIGHT-OF-WAY
- S.E. SIDEWALK EASEMENT
- SEC. SECTION
- S.F. SQUARE FEET
- SLE SEWER LINE EASEMENT
- U.E. UTILITY EASEMENT
- W.L.E. WATER LINE EASEMENT
- W.M.E. WATER MANAGEMENT EASEMENT
- WMME WATER MANAGEMENT EASEMENT
- WMAE WATER MANAGEMENT ACCESS EASEMENT



KEY MAP (NOT TO SCALE)

TRACT I
 SABAL RIDGE A P.U.D.
 (P.B. 48, PGS 148-149)
 TRACT I

MATCH LINE

SEE SHEET 16