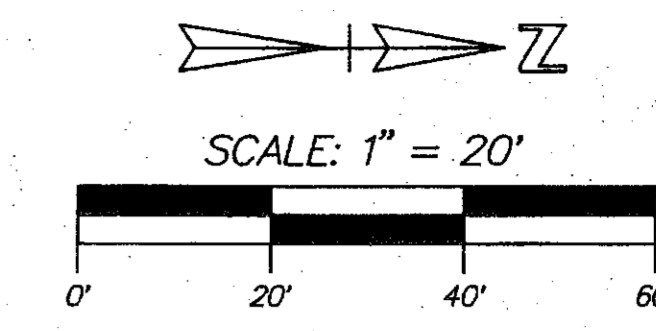


161

COUNTY OF PALM BEACH
STATE OF FLORIDA

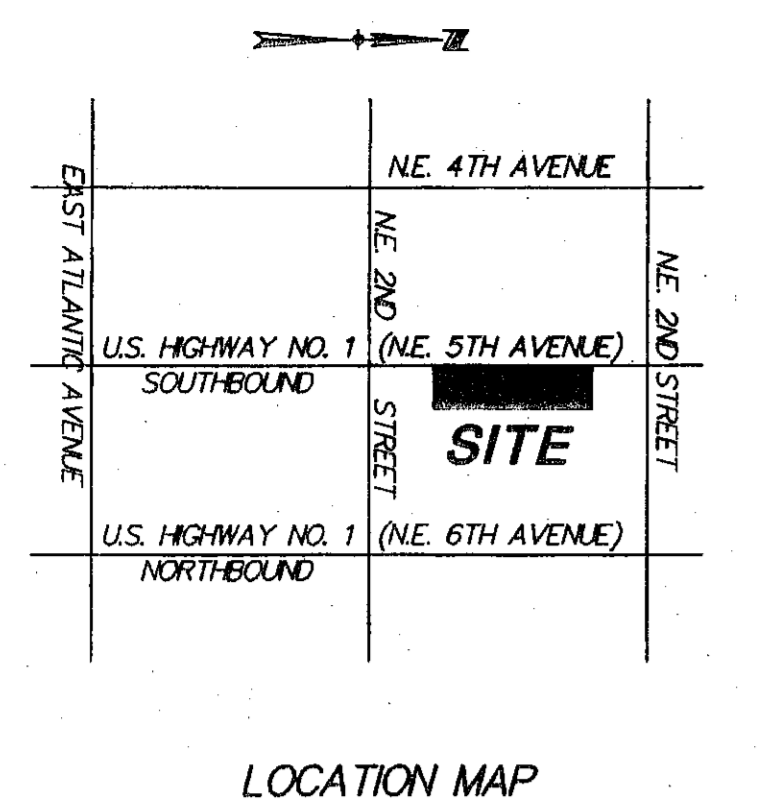
THIS PLAT WAS FILED FOR RECORD AT _____
THIS _____ DAY OF _____
20____, AND DULY RECORDED IN PLAT BOOK NO. _____
ON PAGE _____
SHARON R. BOCK, CLERK OF CIRCUIT COURT
AND COMPTROLLER.
BY _____ D.C.



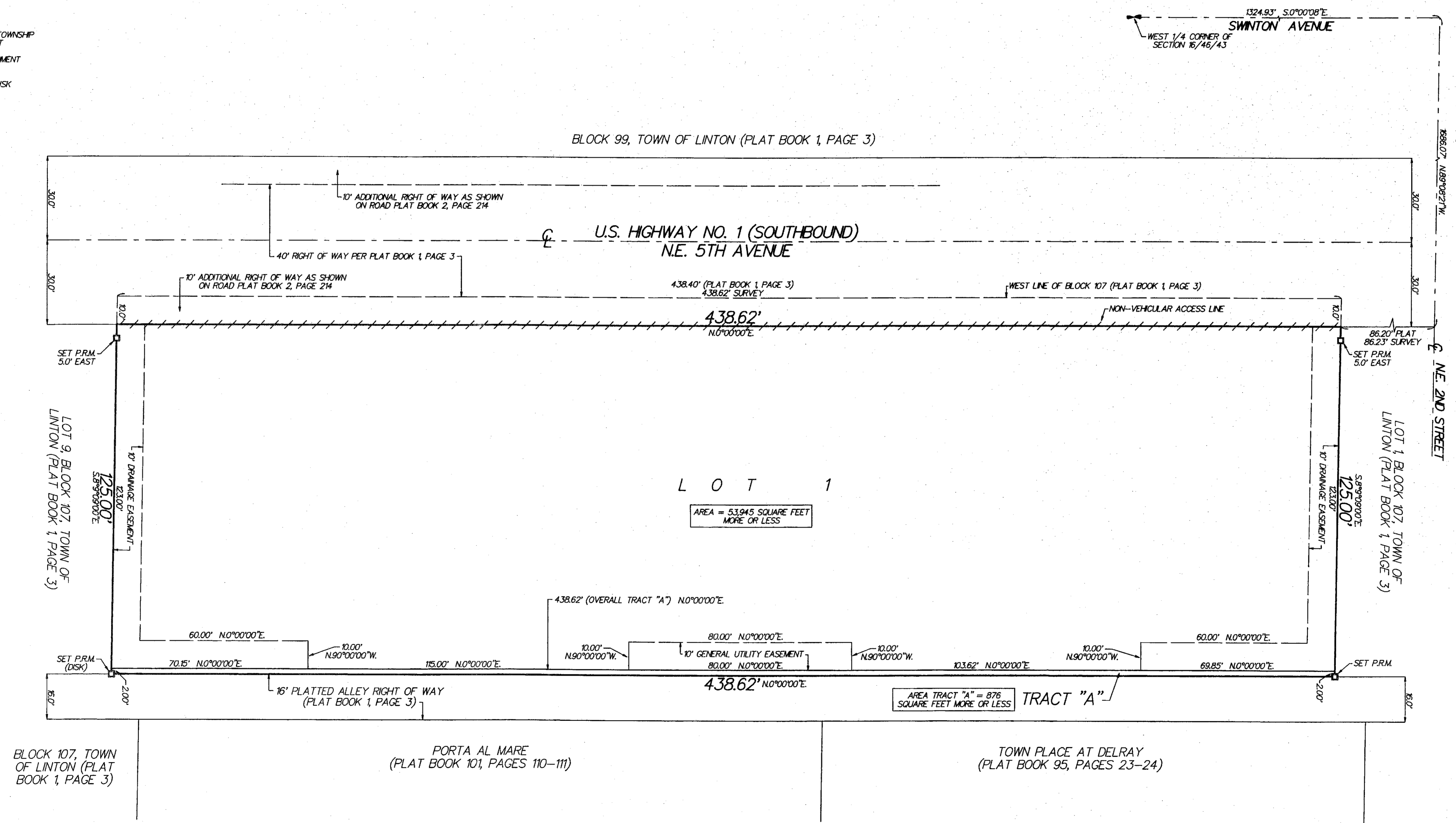
5TH AVENUE AT DELRAY

BEING A REPLAT OF LOTS 2 THROUGH 8, INCLUSIVE, AND THE NORTH 10 FEET OF LOT 9, BLOCK 107, TOWN OF LINTON (NOW DELRAY BEACH), PLAT BOOK 1, PAGE 3, BEING IN SECTION 16, TOWNSHIP 46 SOUTH, RANGE 43 EAST, CITY OF DELRAY BEACH, PALM BEACH COUNTY, FLORIDA.

JANUARY 2006
SHEET 2 OF 2



LEGEND:
C = CENTERLINE
16/46/43 = SECTION 16, TOWNSHIP 46 SOUTH, RANGE 43 EAST
PRM = 4"x4" CONC MONUMENT STAMPED "PRM LB353"
PRM (DISK) = NAIL AND DISK STAMPED "PRM LB353"



BLOCK 107, TOWN OF LINTON (PLAT BOOK 1, PAGE 3)

PORTA AL MARE (PLAT BOOK 101, PAGES 110-111)

TOWN PLACE AT DELRAY (PLAT BOOK 95, PAGES 23-24)