

MINI ASSEMBLAGE P.U.D. PLAT EIGHT

ALSO KNOWN AS GREYSTONE P.U.D.

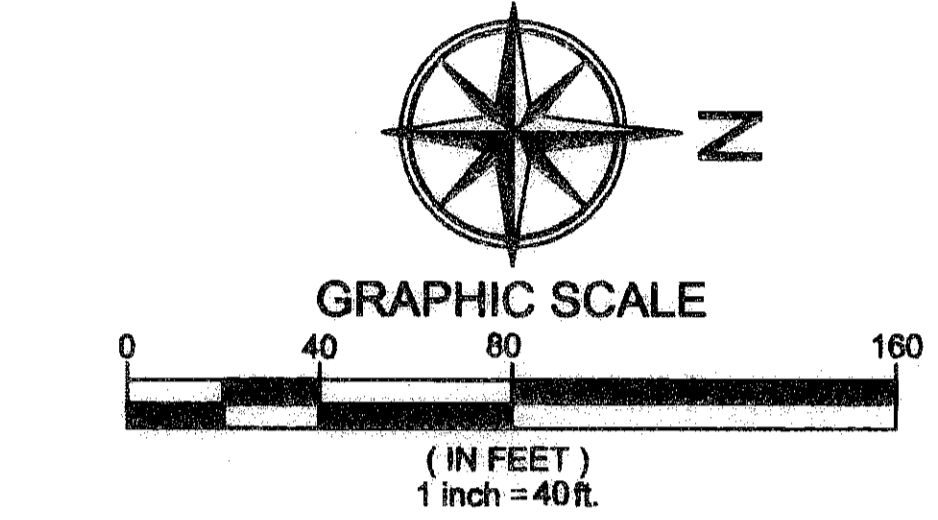
BEING A REPLAT OF A PORTION OF TRACTS 73, 74, 75, 76, 85, 86, 87, AND 88, BLOCK 55, PALM BEACH FARMS COMPANY PLAT NO. 3, RECORDED IN PLAT BOOK 2, PAGES 45 THROUGH 54, PUBLIC RECORDS OF PALM BEACH COUNTY FLORIDA, BEING IN SECTION 28, TOWNSHIP 45 SOUTH, RANGE 42 EAST PALM BEACH COUNTY, STATE OF FLORIDA

OCTOBER 2006 SHEET 3 OF 5

11

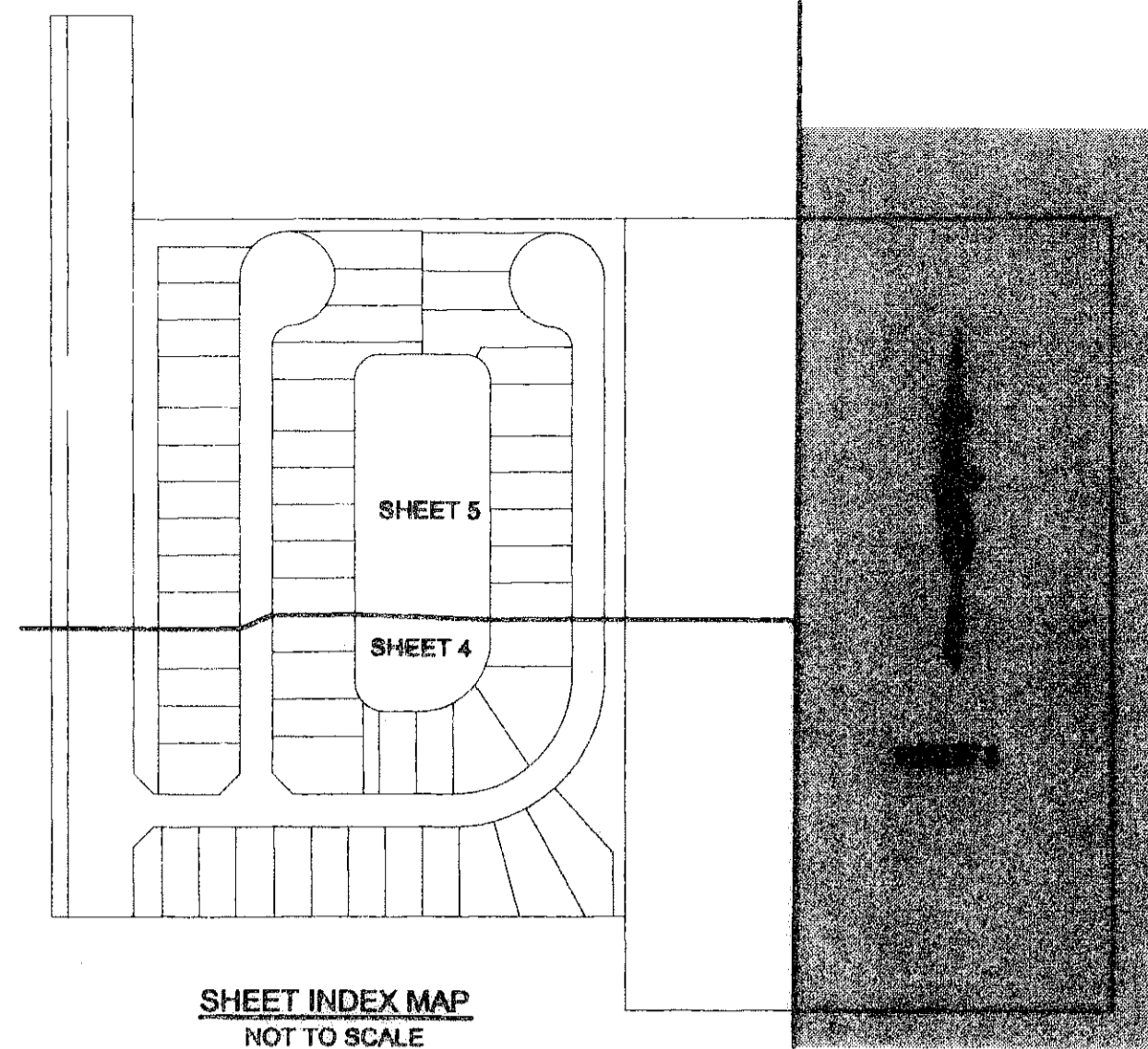
This Instrument Prepared By:
Kevin M. Beck, P.S.M.
Certificate of Authorization No. LB 6701
OCTOBER 2006

Calder, Gianino & Associates, Inc.
Engineers Surveyors Planners
580 Village Boulevard, Suite 340
West Palm Beach, Florida 33409
Phone: 561.684.6161 Fax: 561.684.6380



LEGEND:

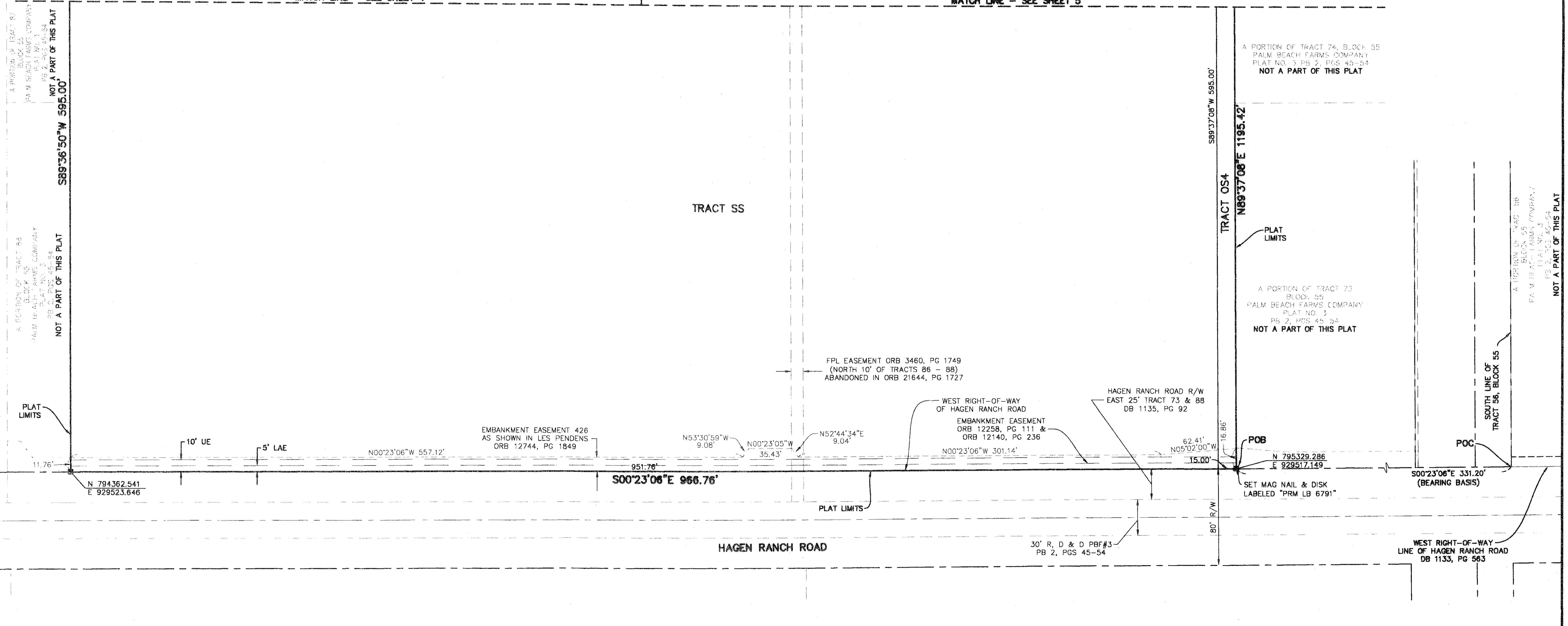
- BE = BUFFER EASEMENT
- CA = CENTRAL (DELTA) ANGLE
- CH = CHORD
- DB = DEED BOOK
- DE = DRAINAGE EASEMENT
- ESMT = EASEMENT
- L = ARC LENGTH
- LAE = LIMITED ACCESS EASEMENT
- LMAE = LAKE MAINTENANCE ACCESS EASEMENT
- LME = LAKE MAINTENANCE EASEMENT
- LWDD = LAKE WORTH DRAINAGE DISTRICT
- OE = OVERHANG EASEMENT
- ORB = OFFICIAL RECORDS BOOK
- PB = PLAT BOOK
- PBCUE = PALM BEACH COUNTY UTILITY EASEMENT
- POB = POINT OF BEGINNING
- POC = POINT OF COMMENCEMENT
- PRM = PERMANENT REFERENCE MONUMENT
- P.U.D. = PLANNED UNIT DEVELOPMENT
- PG(S) = PAGE(S)
- (R) = RADIAL
- R,D&D = ROAD, DIKE AND DITCH RESERVATION
- R/W = RIGHT-OF-WAY
- UE = UTILITY EASEMENT
- C/L = CENTERLINE
- = PERMANENT REFERENCE MONUMENT (4" X 4" CONCRETE MONUMENT WITH A 2" ALUMINUM PLATE STAMPED "LB 6791", UNLESS OTHERWISE NOTED)
- ▼ = ZERO LOT LINE SYMBOL
- = PERMANENT CONTROL POINT (SET "PK" NAIL AND DISK LABELED "LB 6791")



SHEET INDEX MAP
NOT TO SCALE

MATCH LINE - SEE SHEET 4

MATCH LINE - SEE SHEET 5



P:\000\0940 Mini Assemblage Boundary and Plat\SURVEY\PLAT\0940-004-03-PLAT18.dwg 3/28/2007 12:26:58 PM EDT

SUBDIVISION (Mini) Assemblage P.U.D.
BOOK 110
PAGE 11
BLOCK 55
ZONING PUB
SE
TAX 975
PUD NAME