

5724-001

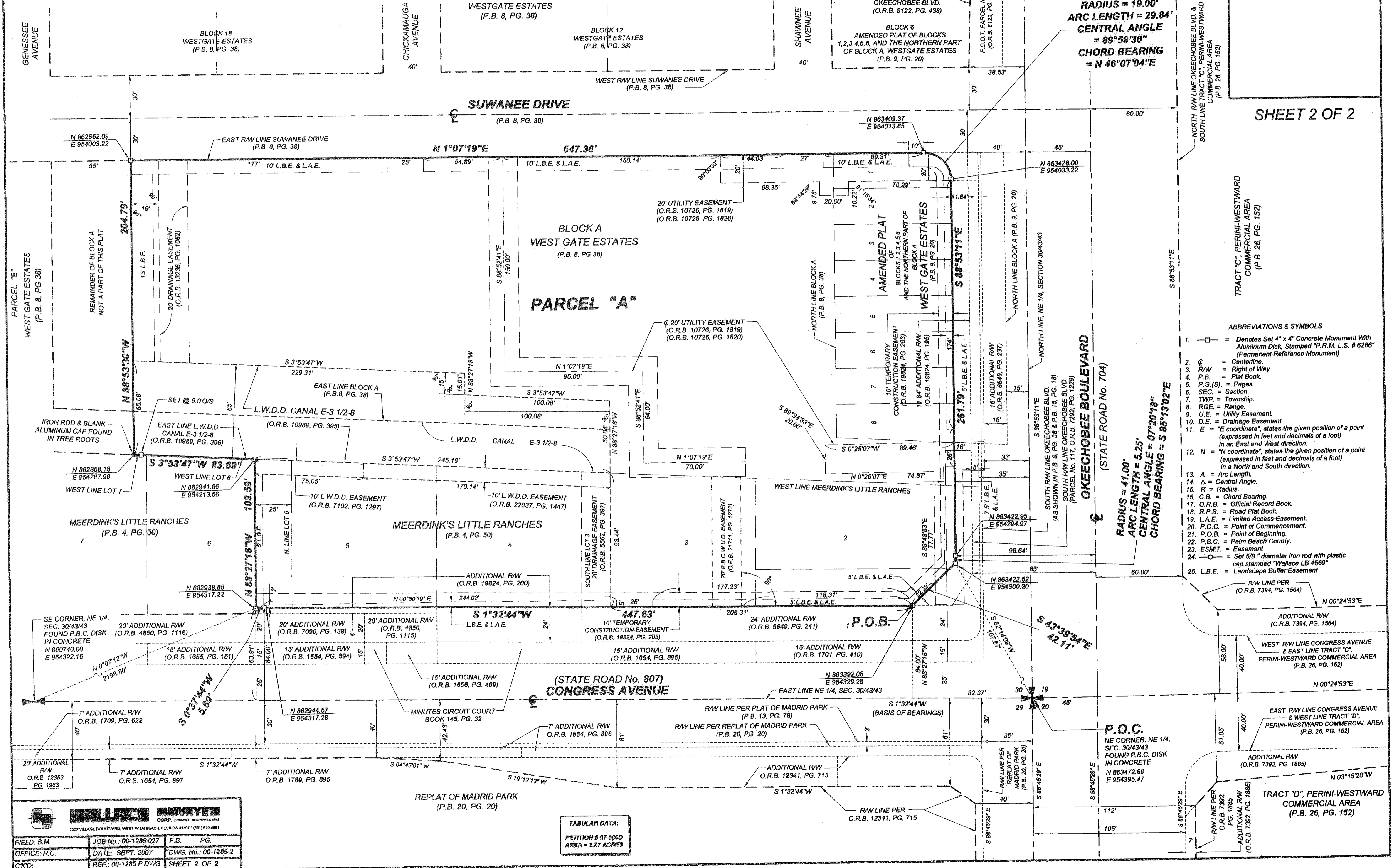
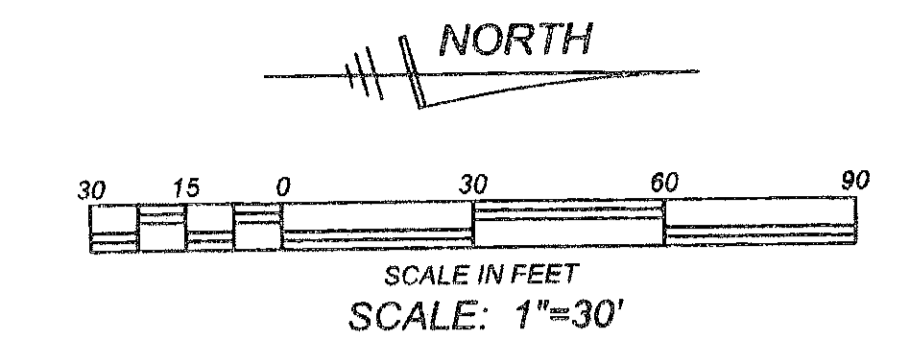
LEXUS OF PALM BEACH

Being a replat of a portion of Block "A", of the Amended Plat of Blocks 1, 2, 3, 4, 5, 6, and the Northern part of Block "A", WEST GATE ESTATES, according to the plat thereof, as recorded in Plat Book 9, Page 20, a portion of Block A, WEST GATE ESTATES, according to the Plat thereof, as recorded in Plat Book 8, Page 38, and a portion of MEERDINK'S LITTLE RANCHES, according to the Plat thereof, as recorded in Plat Book 4, Page 50, Public Records of Palm Beach County, Florida, lying in Section 30, Township 43 South, Range 43 East.

APRIL, 2008

BEARING ROTATION EQUATION:
S 01°32'44"W (PLAT BEARING)
S 01°32'12"W (GRID BEARING)
00°00'32" = COUNTER CLOCKWISE BEARING ROTATION (PLAT TO GRID)

75



SHEET 2 OF 2

- ABBREVIATIONS & SYMBOLS
- = Denotes Set 4" x 4" Concrete Monument With Aluminum Disk, Stamped "P.R.M. L.S. # 6266" (Permanent Reference Monument)
 - ⊕ = Centerline
 - R/W = Right of Way
 - P.B. = Plat Book
 - P.G.(S) = Pages
 - SEC. = Section
 - TWP. = Township
 - RGE. = Range
 - U.E. = Utility Easement
 - D.E. = Drainage Easement
 - E = "E coordinate", states the given position of a point (expressed in feet and decimals of a foot) in an East and West direction.
 - N = "N coordinate", states the given position of a point (expressed in feet and decimals of a foot) in a North and South direction.
 - A = Arc Length
 - Δ = Central Angle
 - R = Radius
 - C.B. = Chord Bearing
 - O.R.B. = Official Record Book
 - R.P.B. = Road Plat Book
 - L.A.E. = Limited Access Easement
 - P.O.C. = Point of Commencement
 - P.B. = Point of Beginning
 - P.B.C. = Palm Beach County
 - ESMT. = Easement
 - = Set 5/8" diameter iron rod with plastic cap stamped "Wallace LB 4569"
 - L.B.E. = Landscape Buffer Easement

RADIUS = 41.00'
ARC LENGTH = 5.25'
CENTRAL ANGLE = 07°20'18"
CHORD BEARING = S 85°13'02"E

RADIUS = 19.00'
ARC LENGTH = 29.84'
CENTRAL ANGLE = 89°59'30"
CHORD BEARING = N 46°07'04"E

TABULAR DATA:
PETITION # 87-995D
AREA = 3.87 ACRES

FIELD: B.M.	JOB No.: 00-1285.027	F.B.	PG.
OFFICE: R.C.	DATE: SEPT. 2007	DWG. No.: 00-1285-2	
CKD:	REF.: 00-1285 P.DWG	SHEET 2 OF 2	

