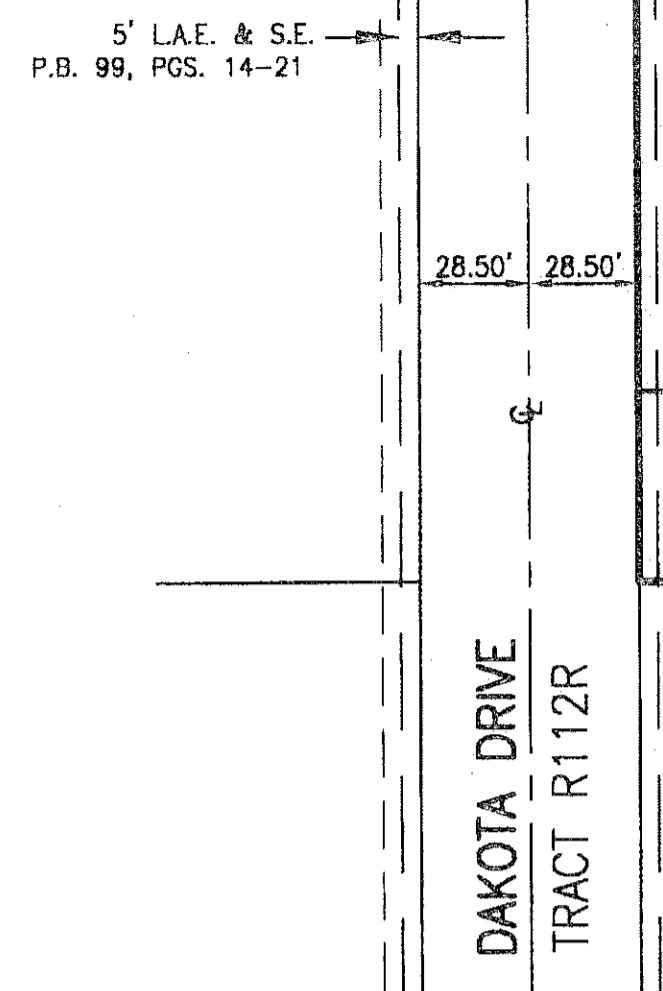
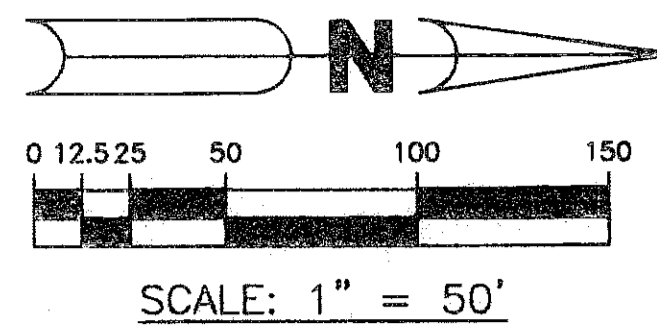


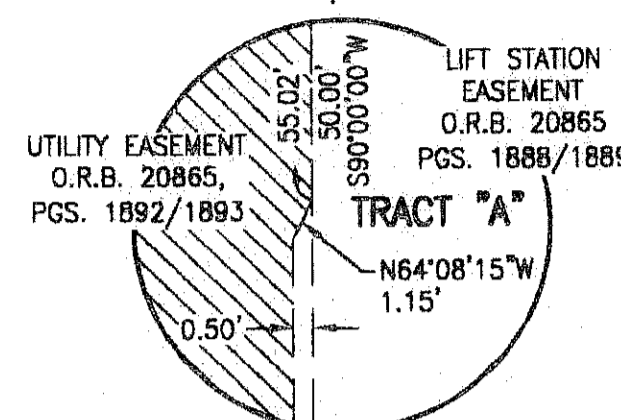
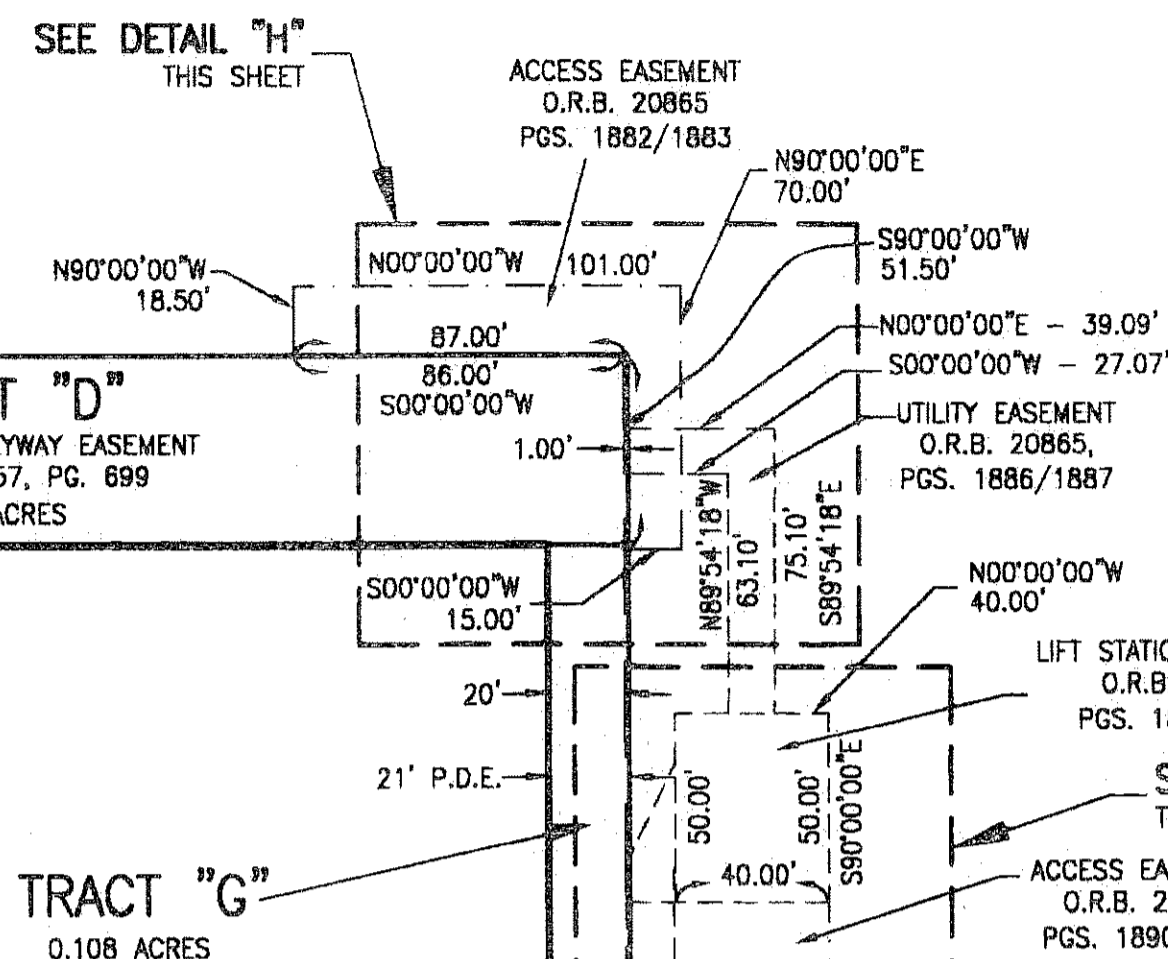
TRACT RN3R AT ABACOA - REPLAT

BEING A REPLAT OF TRACT RN3R ACCORDING TO AT ABACOA - PLAT NO. 4 REPLAT AS RECORDED IN PLAT BOOK 99, PAGES - 14 THROUGH 21 OF THE PUBLIC RECORDS OF PALM BEACH COUNTY, FLORIDA, LYING IN SECTION 14, TOWNSHIP 41 SOUTH, RANGE 42 EAST, TOWN OF JUPITER, PALM BEACH COUNTY, FLORIDA
SHEET 4 OF 4 JANUARY, 2009

THIS INSTRUMENT PREPARED BY
WILBUR F. DIVINE, P.S.M. 4190, STATE OF FLORIDA
ARCADIS U.S., INC.
ENGINEERS PLANNERS SURVEYORS
2081 VISTA PARKWAY
WEST PALM BEACH, FLORIDA 33411
LB7062 / EB7917

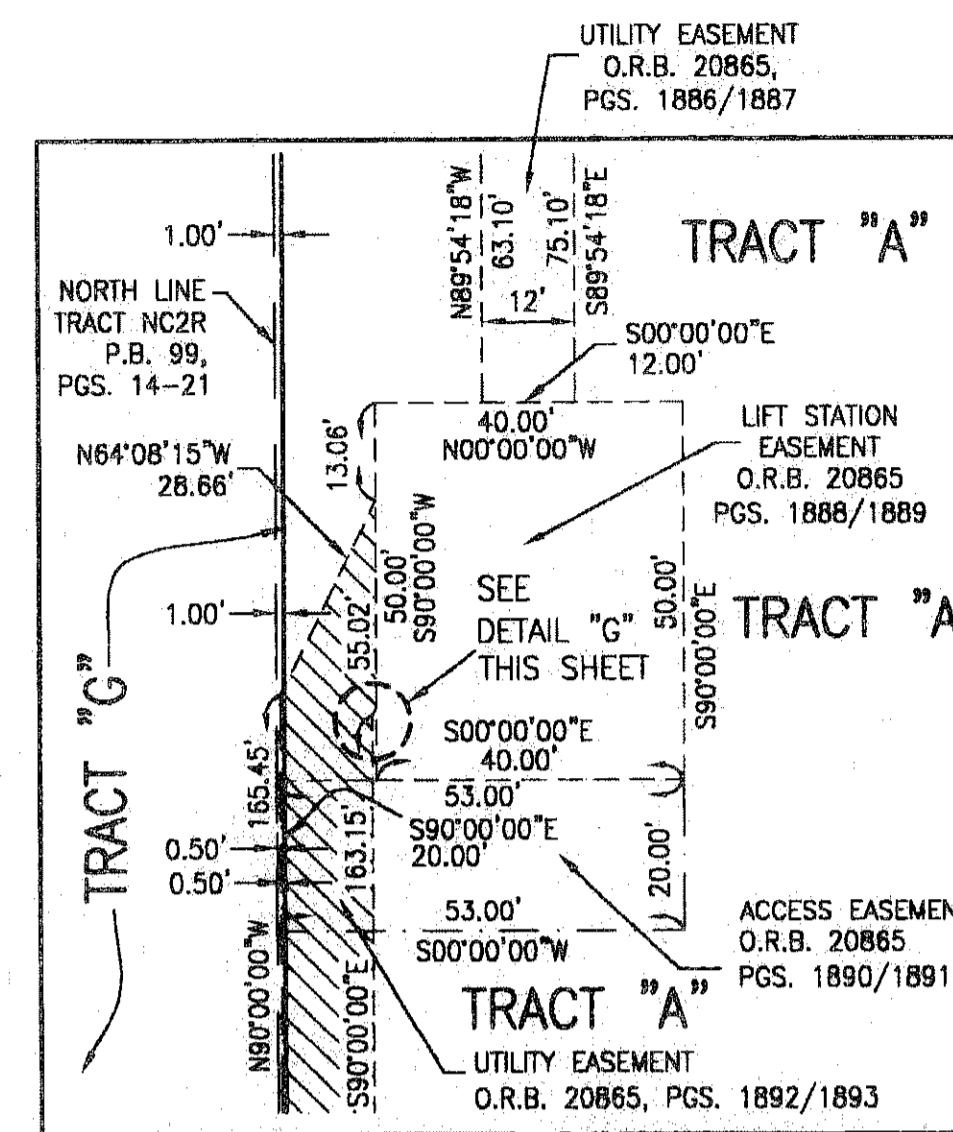


SCALE: 1" = 50'

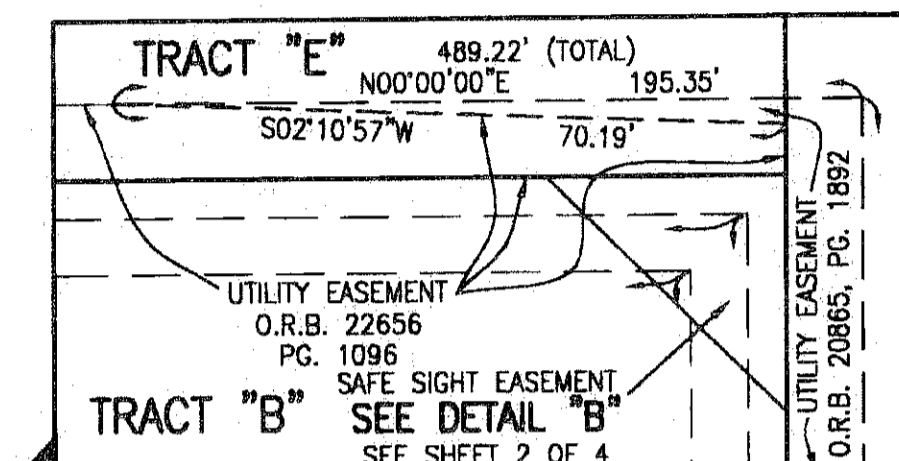


DETAIL "G"
NOT TO SCALE

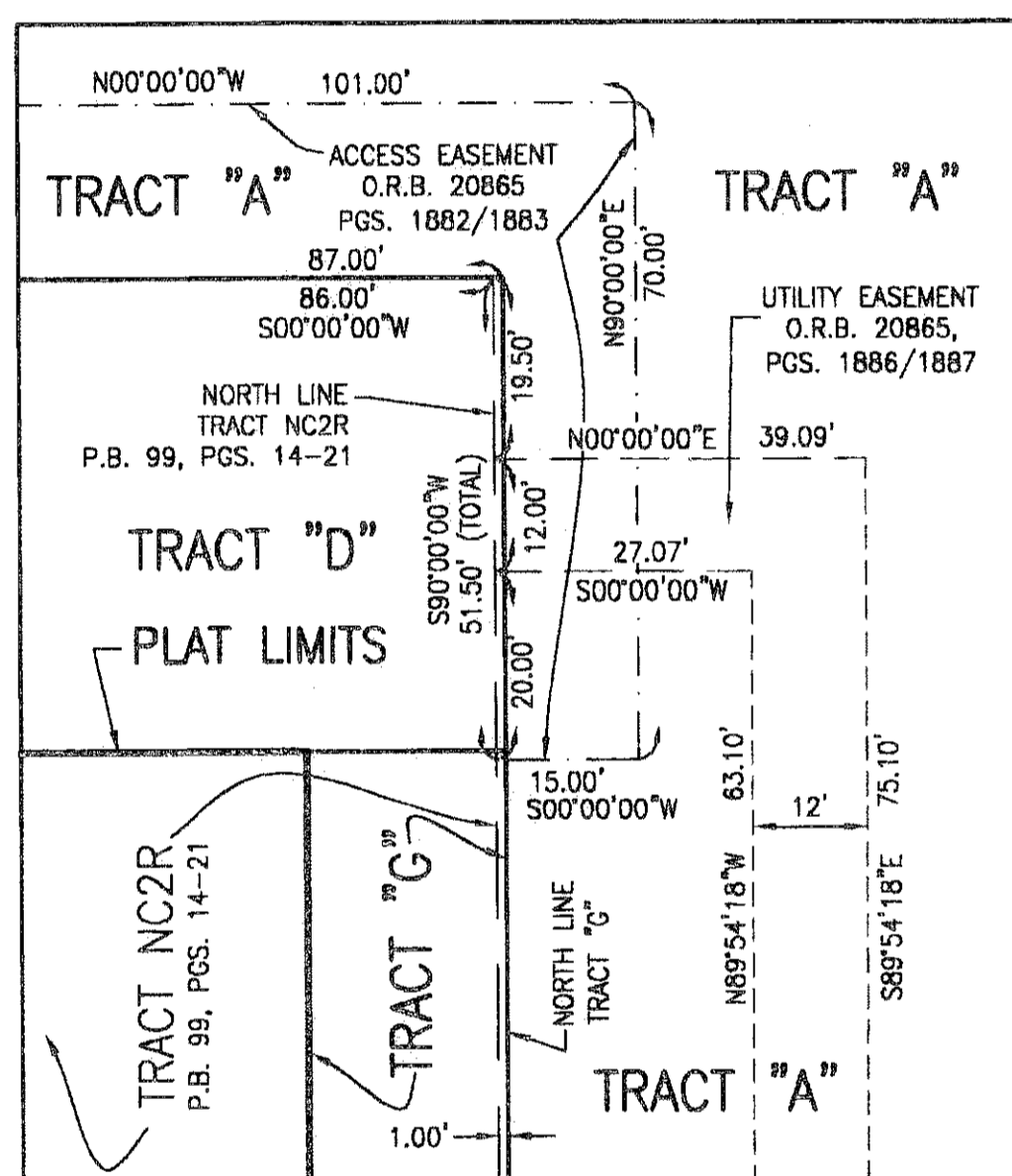
TRACT "A"
105.448 ACRES, MORE OR LESS
TRACT RN3R
P.B. 99, PGS. 14-21



DETAIL "F"
NOT TO SCALE

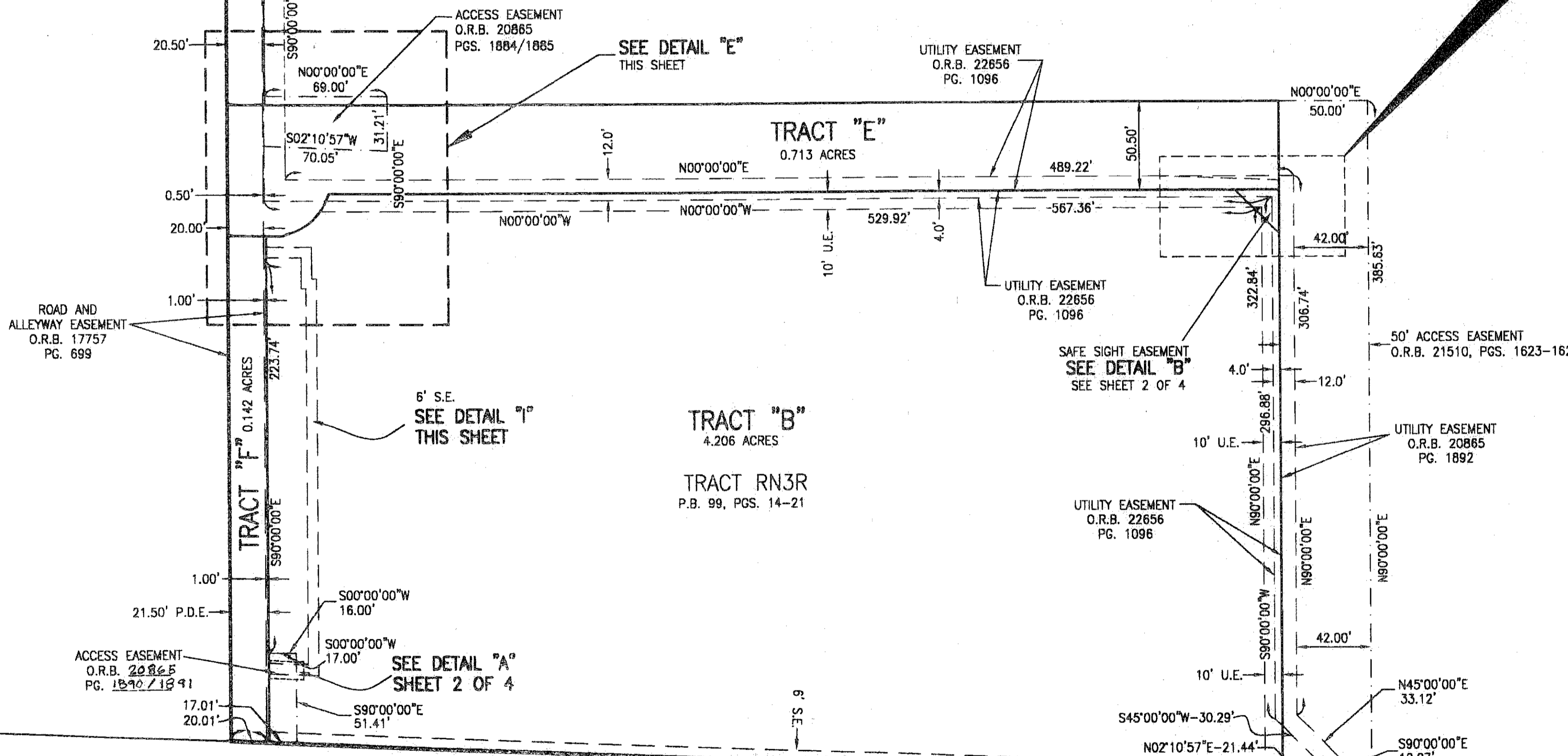


DETAIL "D"
NOT TO SCALE

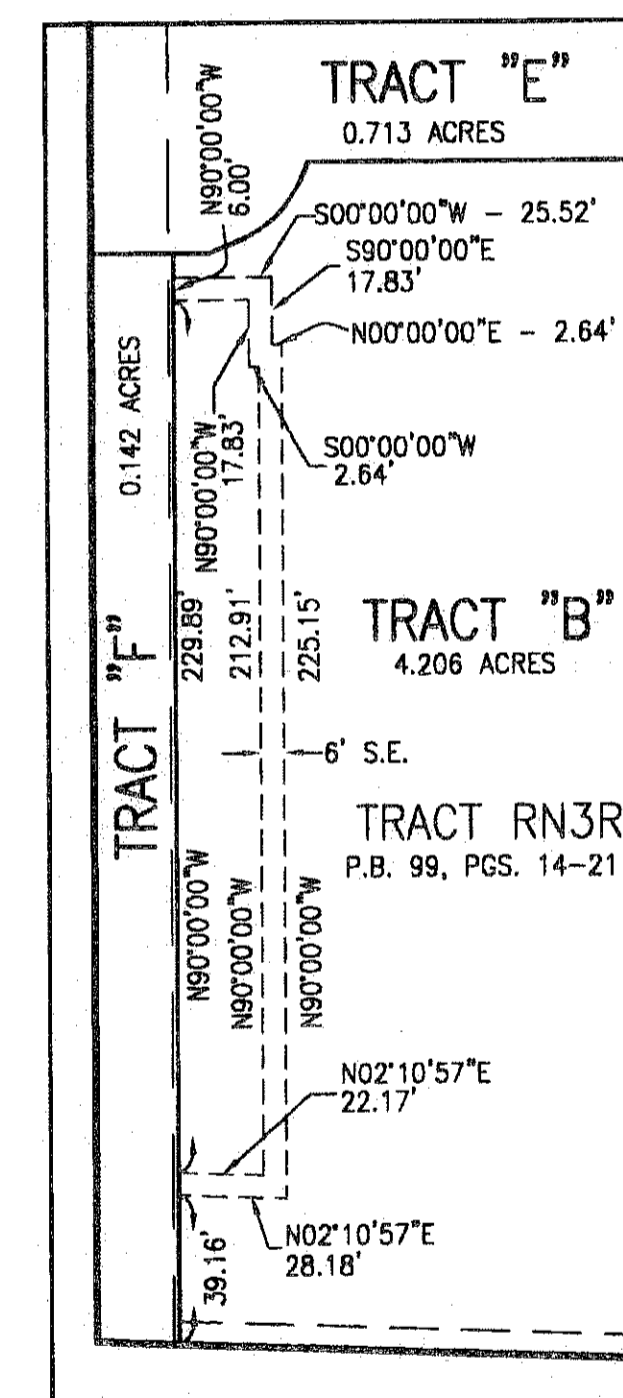


DETAIL "H"
NOT TO SCALE

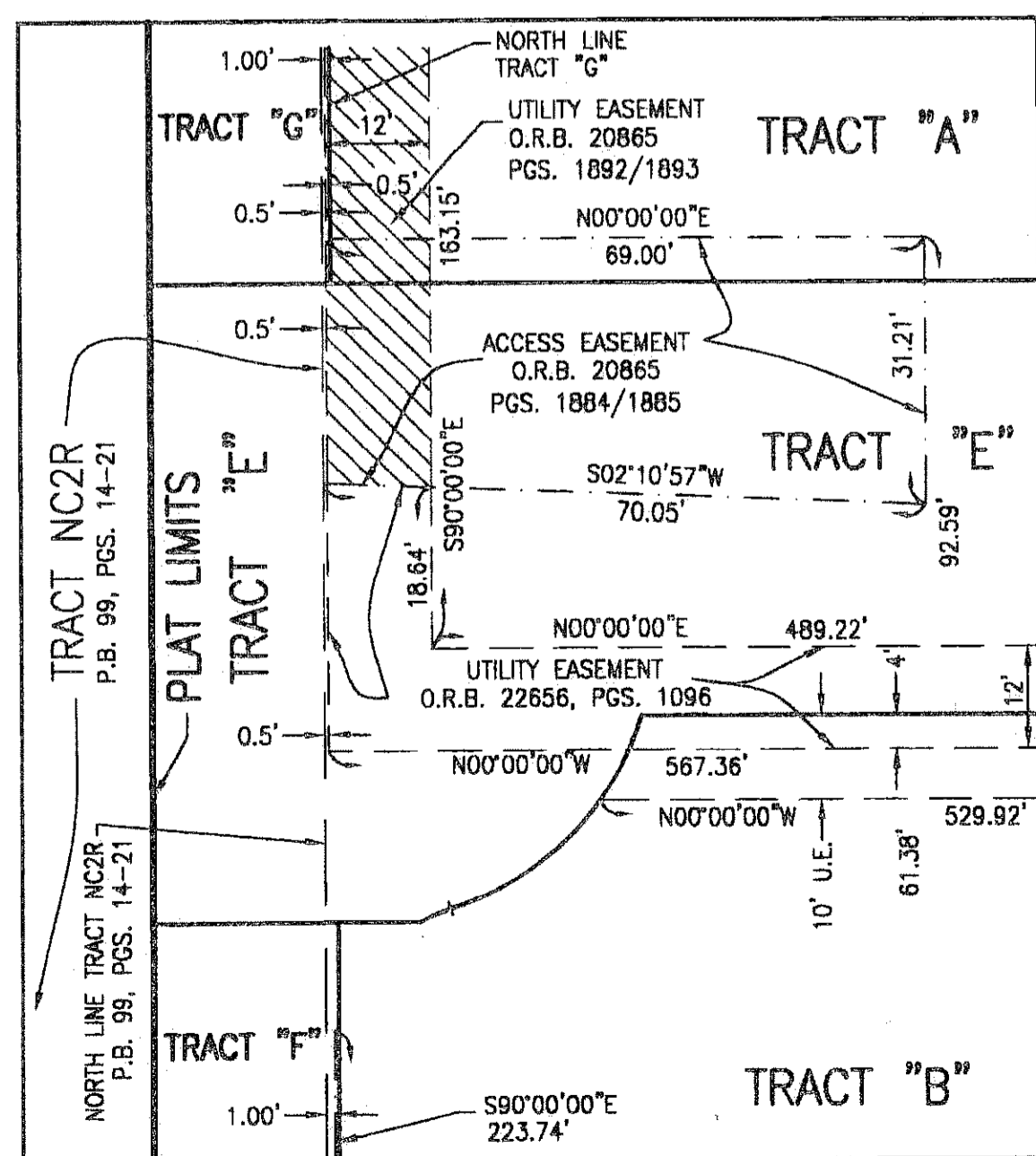
TRACT NC2R
P.B. 99, PGS. 14-21



TRACT "B"
4.206 ACRES
TRACT RN3R
P.B. 99, PGS. 14-21



DETAIL "I"
NOT TO SCALE



DETAIL "E"
NOT TO SCALE

LEGEND:

- - FOUND, PERMANENT REFERENCE MONUMENT, "MHS"
- - SET PERMANENT REFERENCE MONUMENT, L.B. #7062
- Δ - DELTA ANGLE
- A - ARC LENGTH
- R - RADIUS
- CB - CHORD BEARING
- CH - CHORD DISTANCE
- Ⓢ - CENTERLINE
- L.A.E. - LIMITED ACCESS EASEMENT
- T.S.E. - TEMPORARY SIDEWALK EASEMENT
- S.E. - SIDEWALK EASEMENT
- N.R. - NOT RADIAL
- N.T.S. - NOT TO SCALE
- O.R.B. - OFFICIAL RECORD BOOK
- P.B. - PLAT BOOK
- PGS. - PAGES
- P.S.M. - PROFESSIONAL SURVEYOR AND MAPPER
- N.R. - NON-RADIAL
- RAD. - RADIAL
- R/W - RIGHT-OF-WAY
- U.E. - UTILITY EASEMENT
- S.T. - SURVEY TIE

TRACT GW24
P.B. 86, PGS. 16-28

