

IBIS GOLF AND COUNTRY CLUB PLAT No.35

PLANNED UNIT DEVELOPMENT

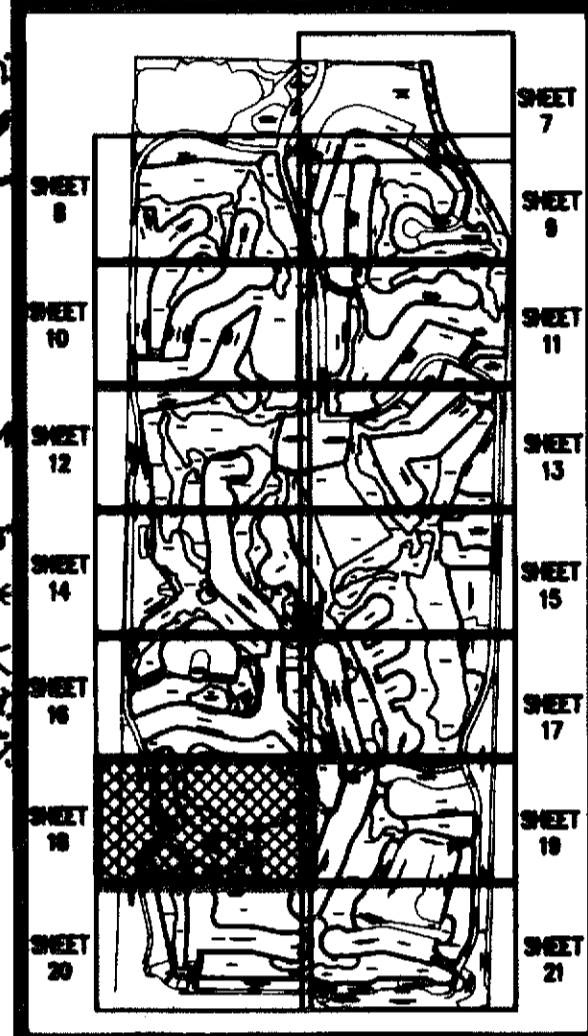
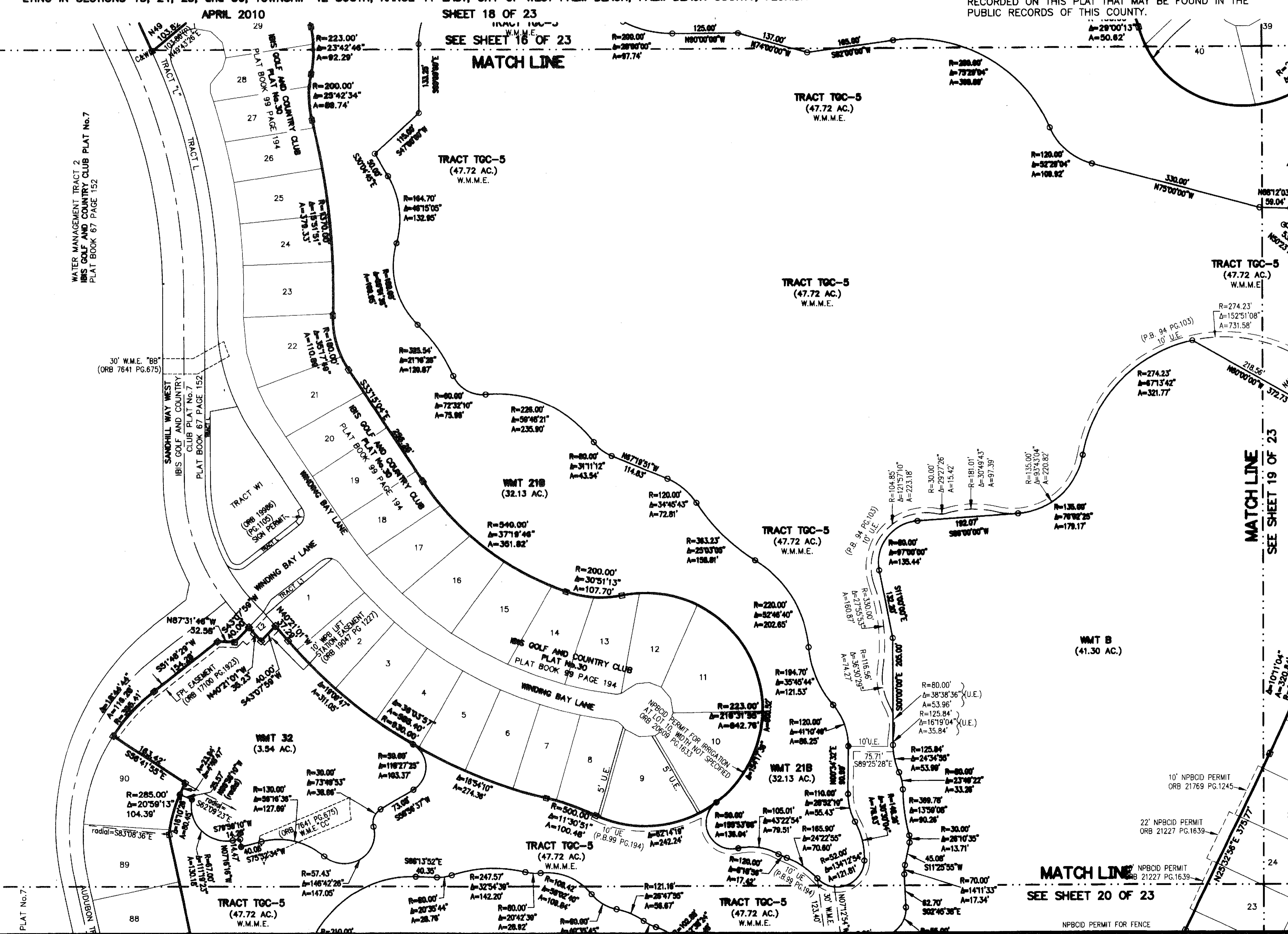
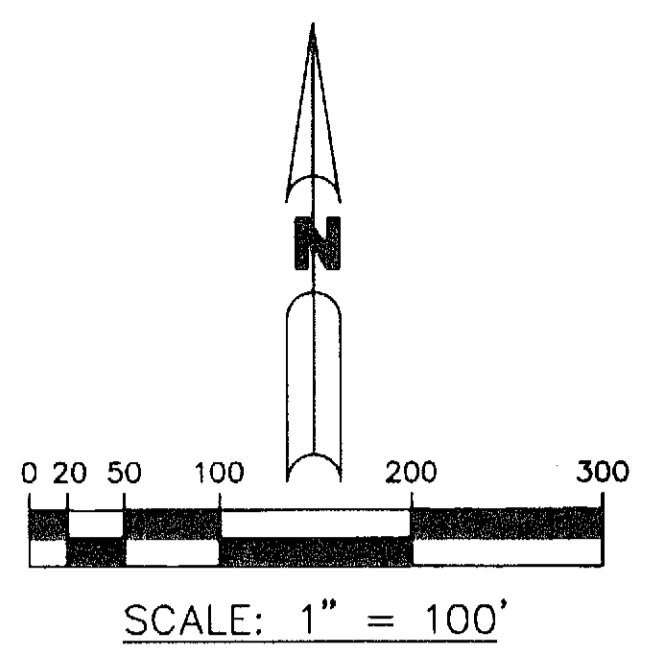
BEING A REPLAT OF A PORTION OF TRACT B, IBIS GOLF AND COUNTRY CLUB PLAT No.1, RECORDED IN PLAT BOOK 66, PAGE 58;
 A PORTION OF TRACTS A, B, C, D, and E, IBIS GOLF AND COUNTRY CLUB PLAT No.7, RECORDED IN PLAT BOOK 67, PAGE 152;
 A PORTION OF TRACTS A and B, and ALL OF LAKES 3, 4, 5, 6, 7, 8-9, 10-13, 11, 14, 15, 16-19, 17, and 17A,
 IBIS GOLF AND COUNTRY CLUB PLAT No.14, RECORDED IN PLAT BOOK 75, PAGE 107;
 A PORTION OF TRACT W, IBIS GOLF AND COUNTRY CLUB PLAT No.25, RECORDED IN PLAT BOOK 88, PAGE 100;
 A PORTION OF SANDHILL WAY SOUTH, SANDHILL WAY SOUTH AT IBIS, RECORDED IN PLAT BOOK 81, PAGE 1;
 TRACT GC, IBIS GOLF AND COUNTRY CLUB PLAT No.27, RECORDED IN PLAT BOOK 88, PAGE 178;
 TRACTS GC, GC1, GC2, GC3 and W, IBIS GOLF AND COUNTRY CLUB PLAT No.28, RECORDED IN PLAT BOOK 90, PAGE 194;
 TRACTS GC, GC1, W and W-1, IBIS GOLF AND COUNTRY CLUB PLAT No.29, RECORDED IN PLAT BOOK 97, PAGE 25;
 TRACTS GC, W and W-2, IBIS GOLF AND COUNTRY CLUB PLAT No.30, RECORDED IN PLAT BOOK 98, PAGE 194;
 TRACTS GC, GC1, W, W-1 and W-2, IBIS GOLF AND COUNTRY CLUB PLAT No.31, RECORDED IN PLAT BOOK 94, PAGE 103;
 TRACT GC, IBIS GOLF AND COUNTRY CLUB PLAT No.32, PLAT BOOK 96, PAGE 186; and TRACT GC, IBIS GOLF AND COUNTRY
 CLUB PLAT No.34, PLAT BOOK 100, PAGE 175, ALL RECORDED IN THE PUBLIC RECORDS OF PALM BEACH COUNTY, FLORIDA;
 LYING IN SECTIONS 13, 24, 25, and 36, TOWNSHIP 42 SOUTH, RANGE 41 EAST, CITY OF WEST PALM BEACH, PALM BEACH COUNTY, FLORIDA

THIS INSTRUMENT PREPARED BY
ER BROWN & PHILLIPS, INC.
 CERTIFICATE OF AUTHORIZATION LB-6473
 901 NORTHPOINT PARKWAY, SUITE 119
 WEST PALM BEACH, FLORIDA 33407

134

NOTICE:
 THIS PLAT, AS RECORDED IN ITS GRAPHIC FORM, IS THE
 OFFICIAL DEPICTION OF THE SUBDIVIDED LANDS DESCRIBED
 HEREIN AND WILL IN NO CIRCUMSTANCES BE SUPPLANTED
 IN AUTHORITY BY ANY OTHER GRAPHIC OR DIGITAL FORM
 OF THE PLAT.

THERE MAY BE ADDITIONAL RESTRICTIONS THAT ARE NOT
 RECORDED ON THIS PLAT THAT MAY BE FOUND IN THE
 PUBLIC RECORDS OF THIS COUNTY.



KEY MAP
 NOT TO SCALE