

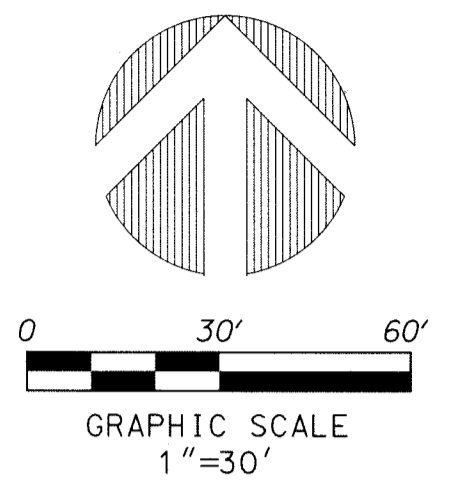
PERIMETER

SURVEYING & MAPPING
 Certificate of Authorization No. LB7264
 Prepared by: Jeff S. Hodapp, P.S.M.
 947 Clint Moore Road
 Boca Raton, Florida 33487
 Tel: (561) 241-9988
 Fax: (561) 241-5182

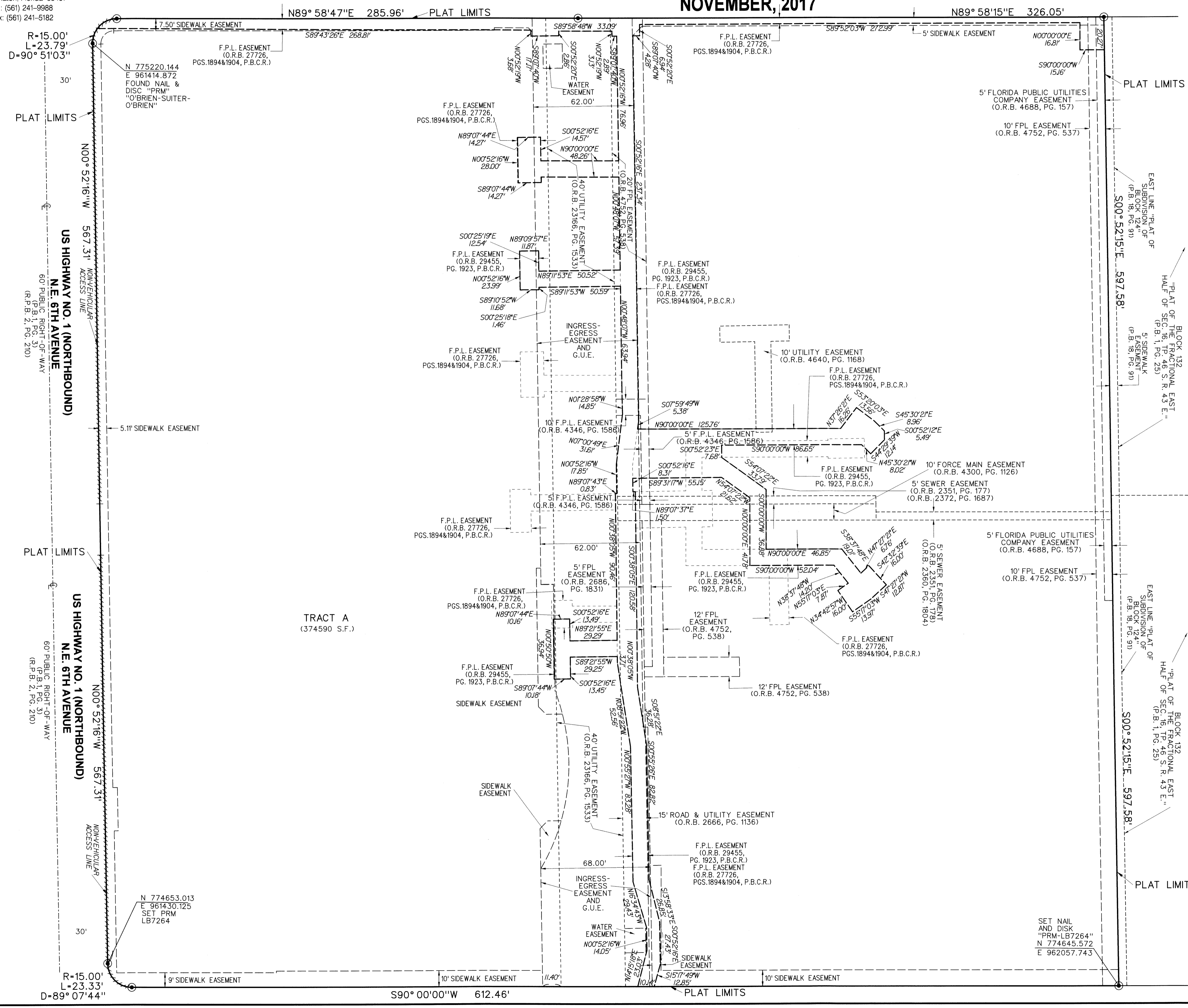
ATLANTIC CROSSING

A REPLAT OF A PORTION OF "CDS DELRAY REDEVELOPMENT" (P.B. 116, PGS. 172-182, P.B.C.R.),
 TOGETHER WITH A PORTION OF BLOCK 123, "TOWN OF LINTON" (P.B. 1, PG. 3, P.B.C.R.)
 IN SECTION 16, TOWNSHIP 46 SOUTH, RANGE 43 EAST, CITY OF DELRAY BEACH, PALM BEACH COUNTY, FLORIDA.
 NOVEMBER, 2017

85



SHEET 6 OF 6



DETAIL OF EASEMENT FPL EASEMENT (ORB 29455, PG 1923)

- LEGEND**
- ⊕ - CENTERLINE
 - ⊙ - PRM - SET PERMANENT REFERENCE MONUMENT
 - - LB7264, UNLESS NOTED OTHERWISE

- ABBREVIATIONS:**
- CONC. - CONCRETE
 - COR. - CORNER
 - D - DELTA (CENTRAL ANGLE)
 - D.E. - DRAINAGE EASEMENT
 - DIA. - DIAMETER
 - G.U.E. - GENERAL UTILITY EASEMENT
 - I.P. - IRON PIPE
 - IRC - IRON ROD & CAP
 - L - ARC LENGTH
 - L.B. - LICENSED BUSINESS
 - L.S. - LICENSED SURVEYOR
 - MON. - MONUMENT
 - N.R. - NON-RADIAL
 - O.R.B. - OFFICIAL RECORDS BOOK
 - P.A.E. - PUBLIC ACCESS EASEMENT
 - P.B.C.R. - PALM BEACH COUNTY RECORDS
 - P.B. - PLAT BOOK
 - P.C. - PAGE
 - P.C.P. - PERMANENT CONTROL POINT
 - P.O.B. - POINT OF BEGINNING
 - P.O.C. - POINT OF COMMENCEMENT
 - P.R.M. - PERMANENT REFERENCE MONUMENT
 - P.S.M. - PROFESSIONAL SURVEYOR & MAPPER
 - R - RADIUS
 - R/W - RIGHT-OF-WAY
 - S.E. - SEWER EASEMENT
 - SEC. - SECTION
 - S.F. - SQUARE FEET
 - U.E. - UTILITY EASEMENT
 - W.E. - WATER EASEMENT

SET NAIL
 AND DISK
 "PRM-LB7264"
 N 774645.572
 E 962057.743