

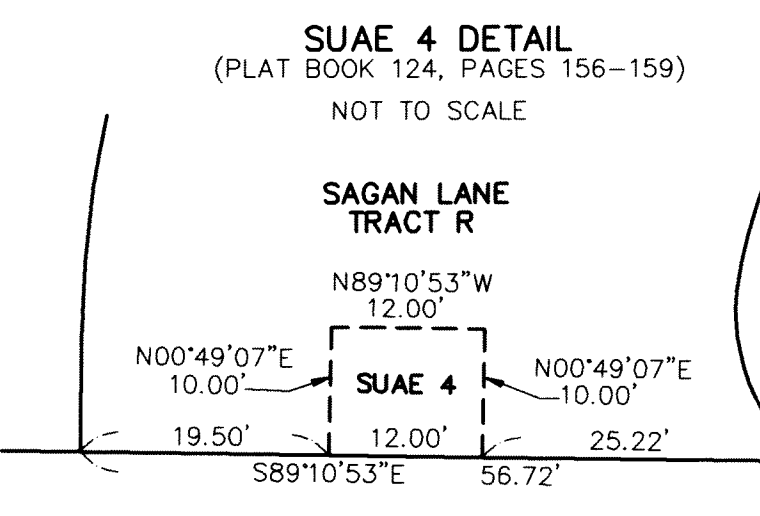
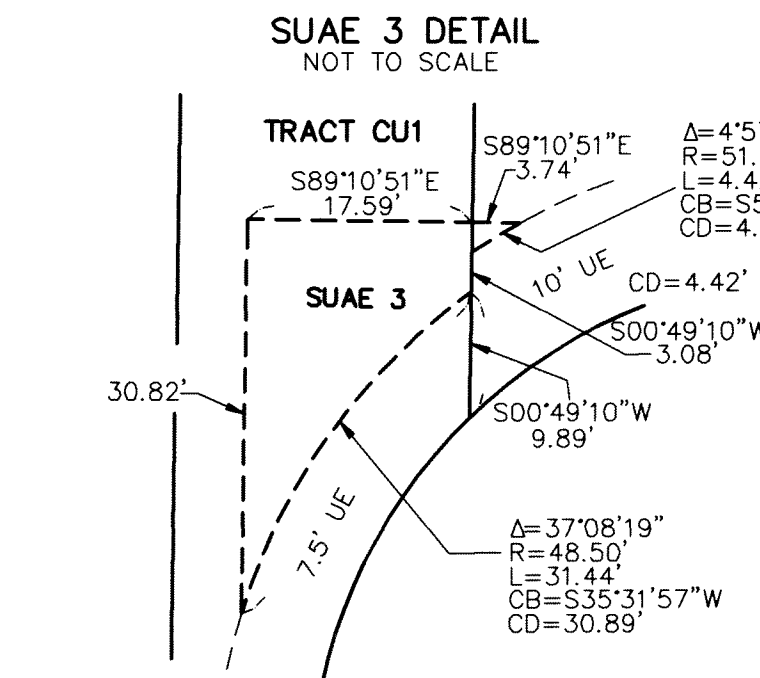
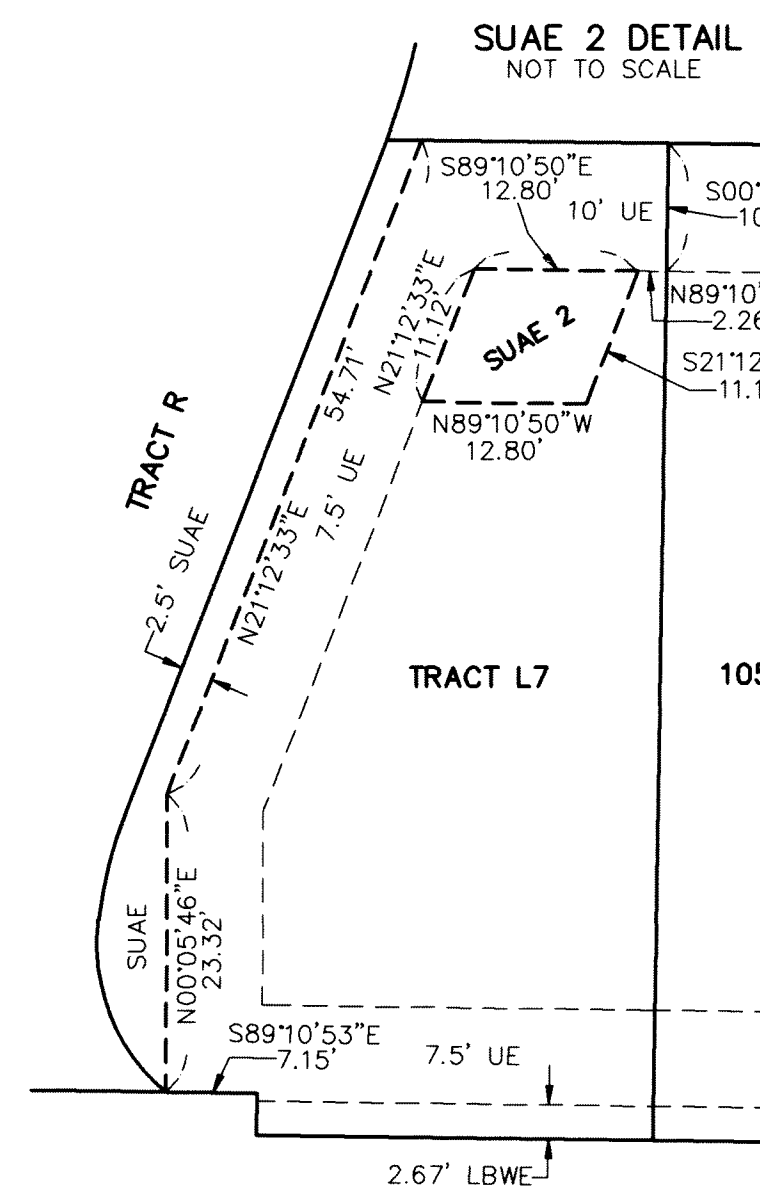
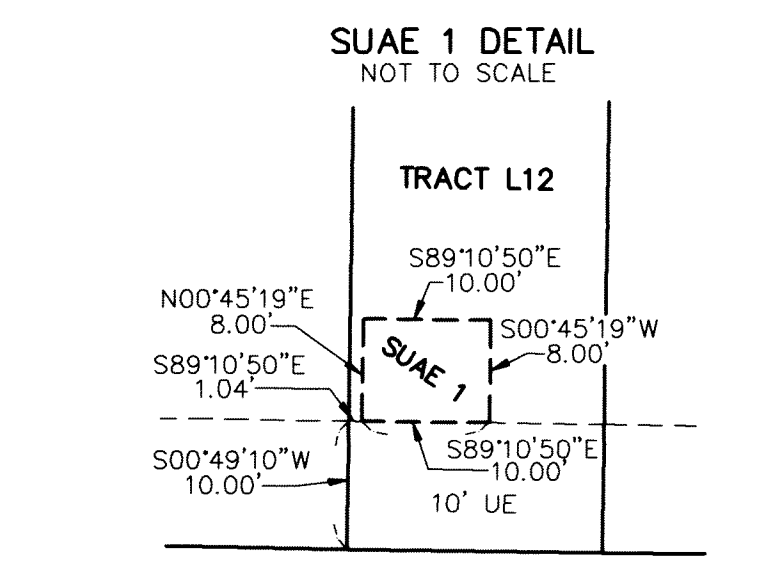
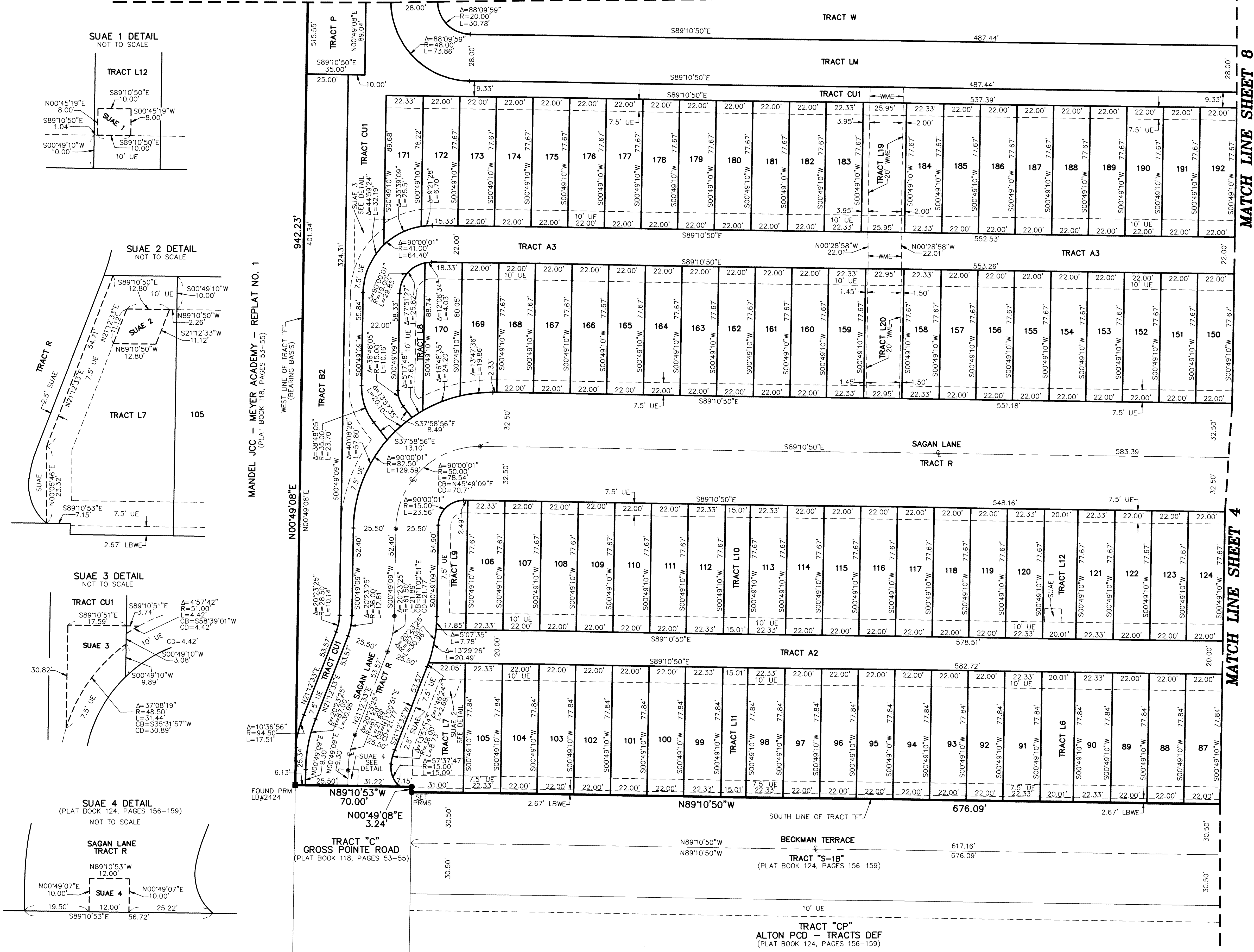
THIS INSTRUMENT PREPARED BY
 DAVID P. LINDLEY
 OF
CAULFIELD and WHEELER, INC.
 SURVEYORS - ENGINEERS - PLANNERS
 7900 GLADES ROAD, SUITE 100
 BOCA RATON, FLORIDA 33434 - (561)392-1991
 CERTIFICATE OF AUTHORIZATION NO. LB3591
 DECEMBER - 2017

ALTON NEIGHBORHOOD 4

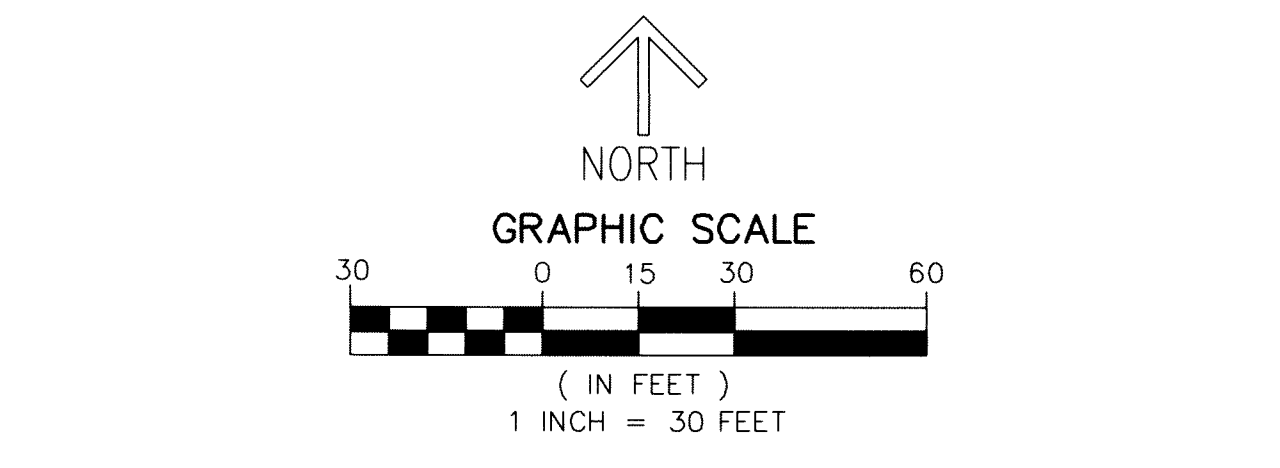
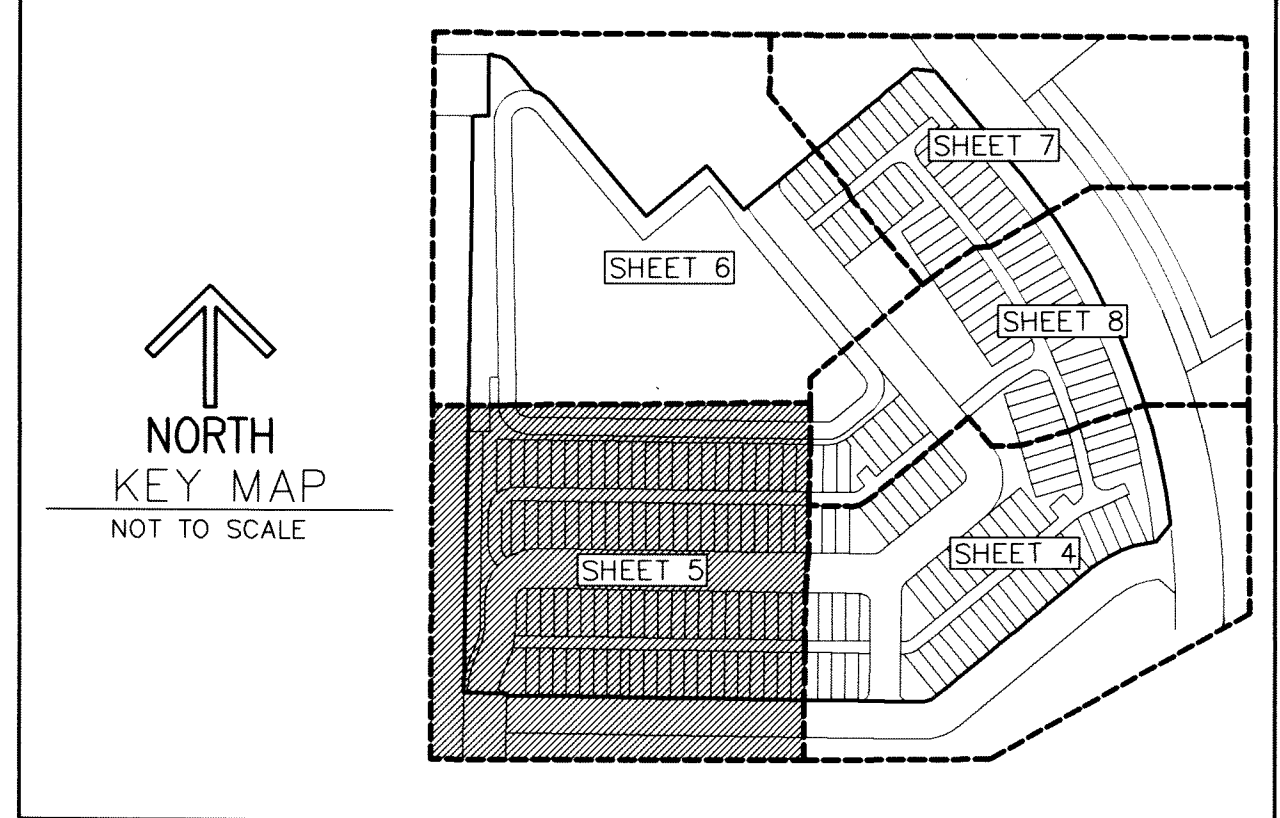
BEING A REPLAT OF A PORTION OF TRACT "F", ALTON PCD-TRACTS DEF, AS RECORDED IN PLAT BOOK 124, PAGES 156 THROUGH 159
 OF PUBLIC RECORDS OF PALM BEACH COUNTY, FLORIDA, LYING IN SECTIONS 26 AND 35, TOWNSHIP 41 SOUTH, RANGE 42 EAST,
 CITY OF PALM BEACH GARDENS, PALM BEACH COUNTY, FLORIDA

191

MATCH LINE SHEET 6



SHEET 5 OF 8



LEGEND/ABBREVIATIONS

- CL - CENTERLINE
- Δ - DELTA (CENTRAL ANGLE)
- CB - CHORD BEARING
- CD - CHORD DISTANCE
- L - ARC LENGTH
- LBW - LICENSED BUSINESS LANDSCAPE BUFFER WALL EASEMENT
- O.R.B. - OFFICIAL RECORD BOOK
- R - RADIUS
- RBE - ROADWAY BUFFER EASEMENT
- (R) - INDICATES RADIAL LINE
- SUAE - SEACOAST UTILITY AUTHORITY EASEMENT
- UE - UTILITY EASEMENT
- WME - WATER MANAGEMENT EASEMENT
- - DENOTES PERMANENT CONTROL POINT
- - DENOTES PERMANENT REFERENCE MONUMENT
- - DENOTES PERMANENT REFERENCE MONUMENT FOUND 4"x4" CONCRETE MONUMENT WITH DISK
- - DENOTES PERMANENT REFERENCE MONUMENT FOUND 1/2" IRON ROD WITH ALUMINUM DISK
- - DENOTES PERMANENT REFERENCE MONUMENT FOUND 5/8" IRON ROD WITH PLASTIC CAP STAMPED "SCHORAH AND ASSOCIATES PRM LB#2438"
- - SET PRM - DENOTES PERMANENT REFERENCE MONUMENT SET 5/8" IRON ROD WITH PLASTIC CAP STAMPED "C&W PRM LB#3591"