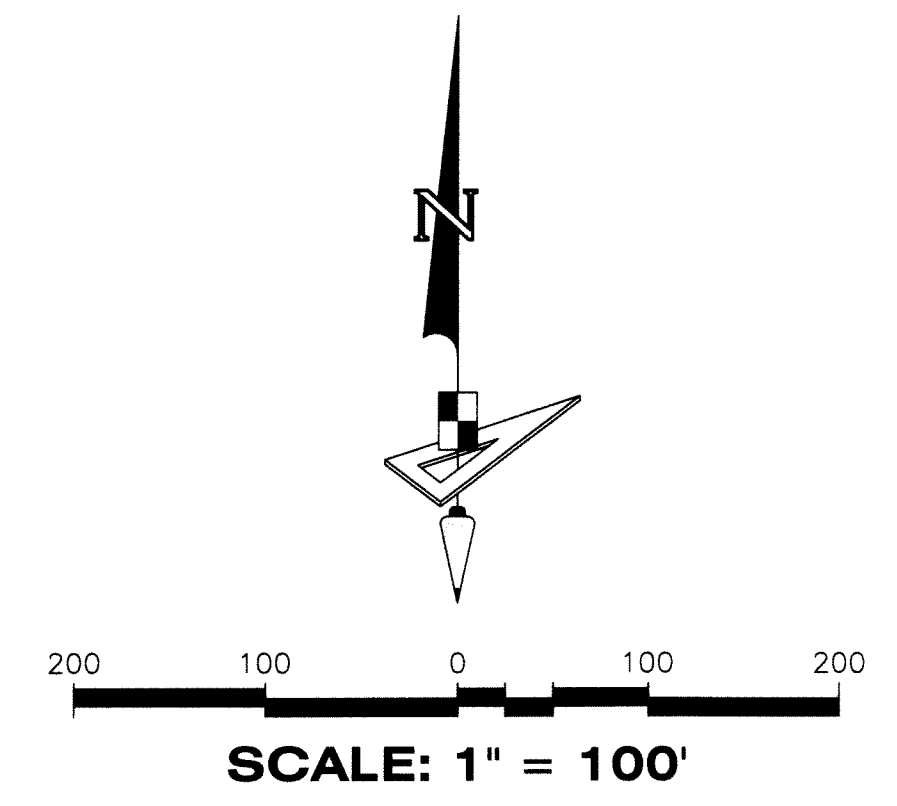


TOWN CENTER PARKWAY SOUTH - PHASE II

BEING A PLAT OF A PORTION OF
SECTION 1, TOWNSHIP 43 SOUTH, RANGE 40 EAST,
CITY OF WESTLAKE, PALM BEACH COUNTY, FLORIDA

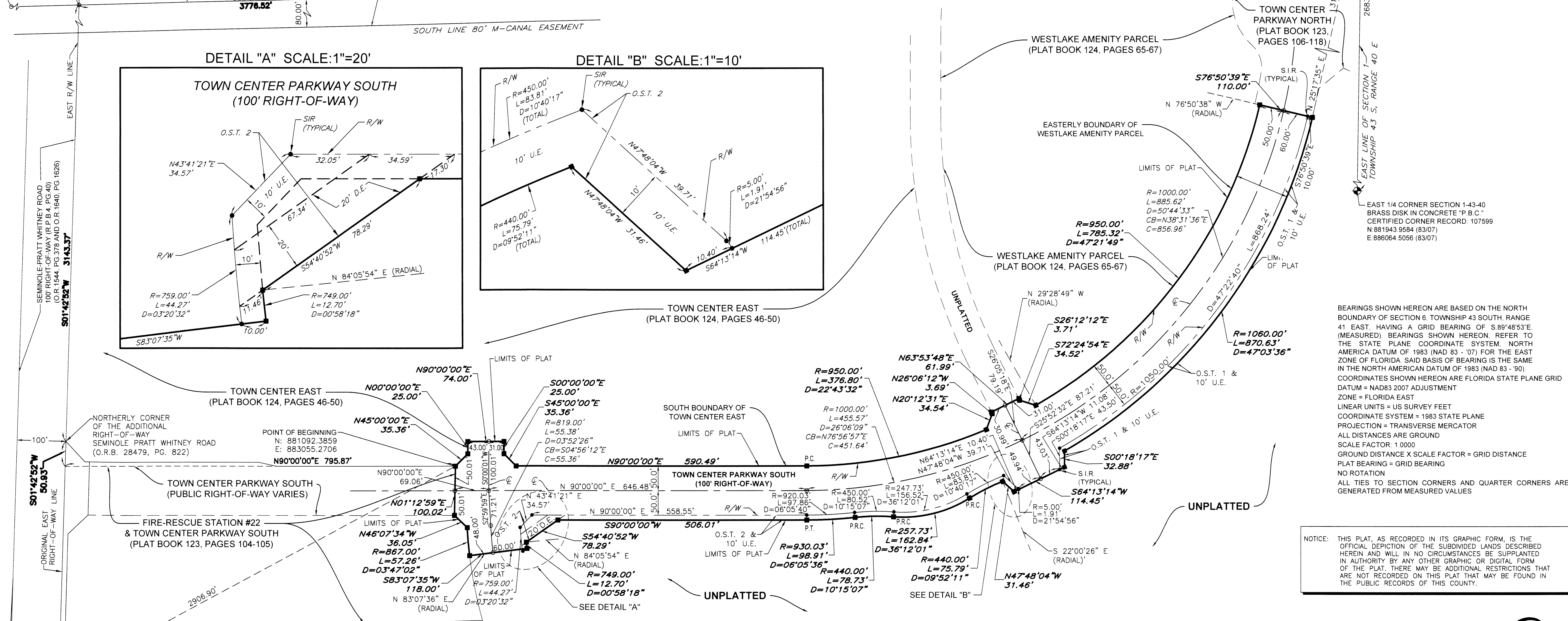
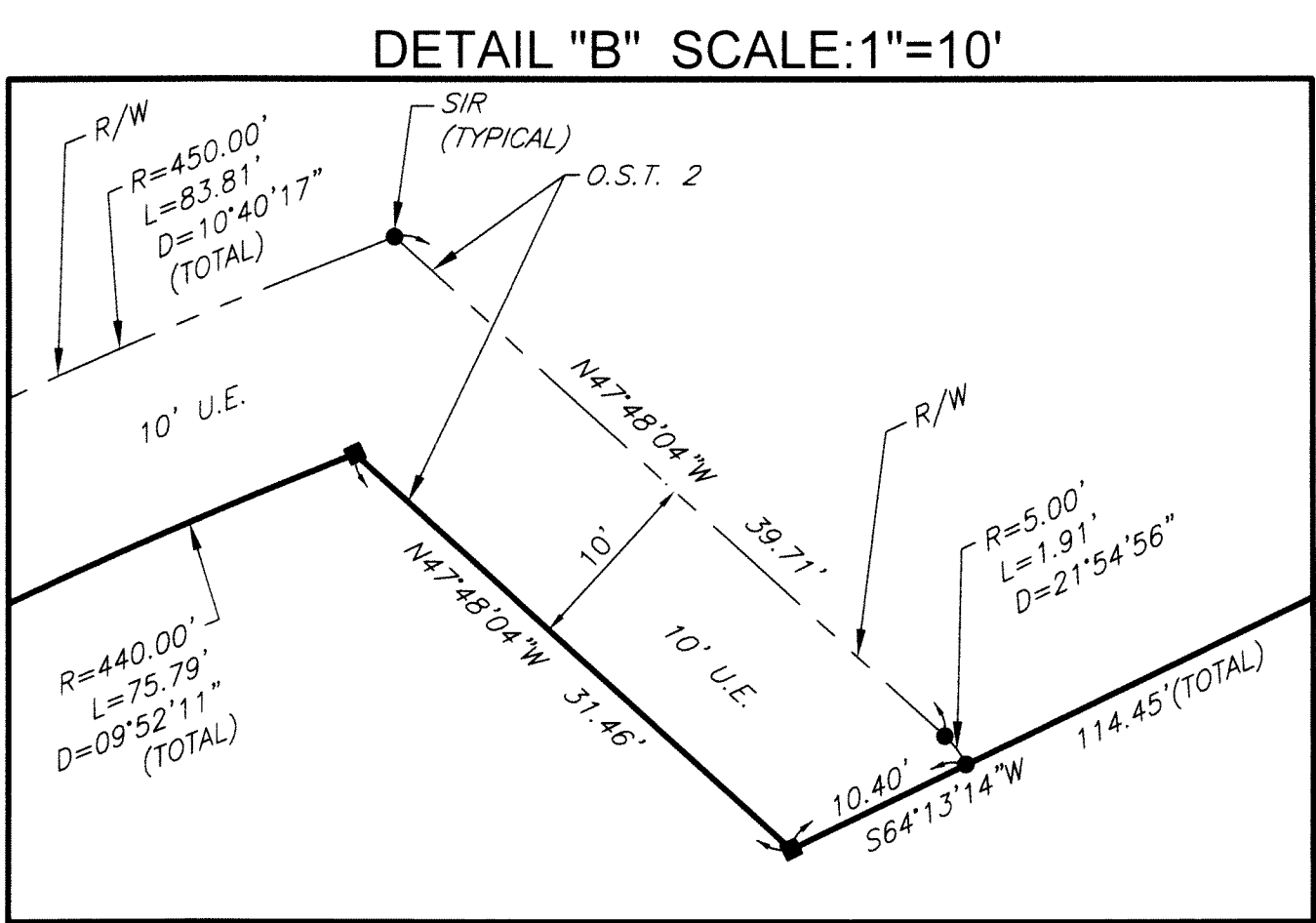
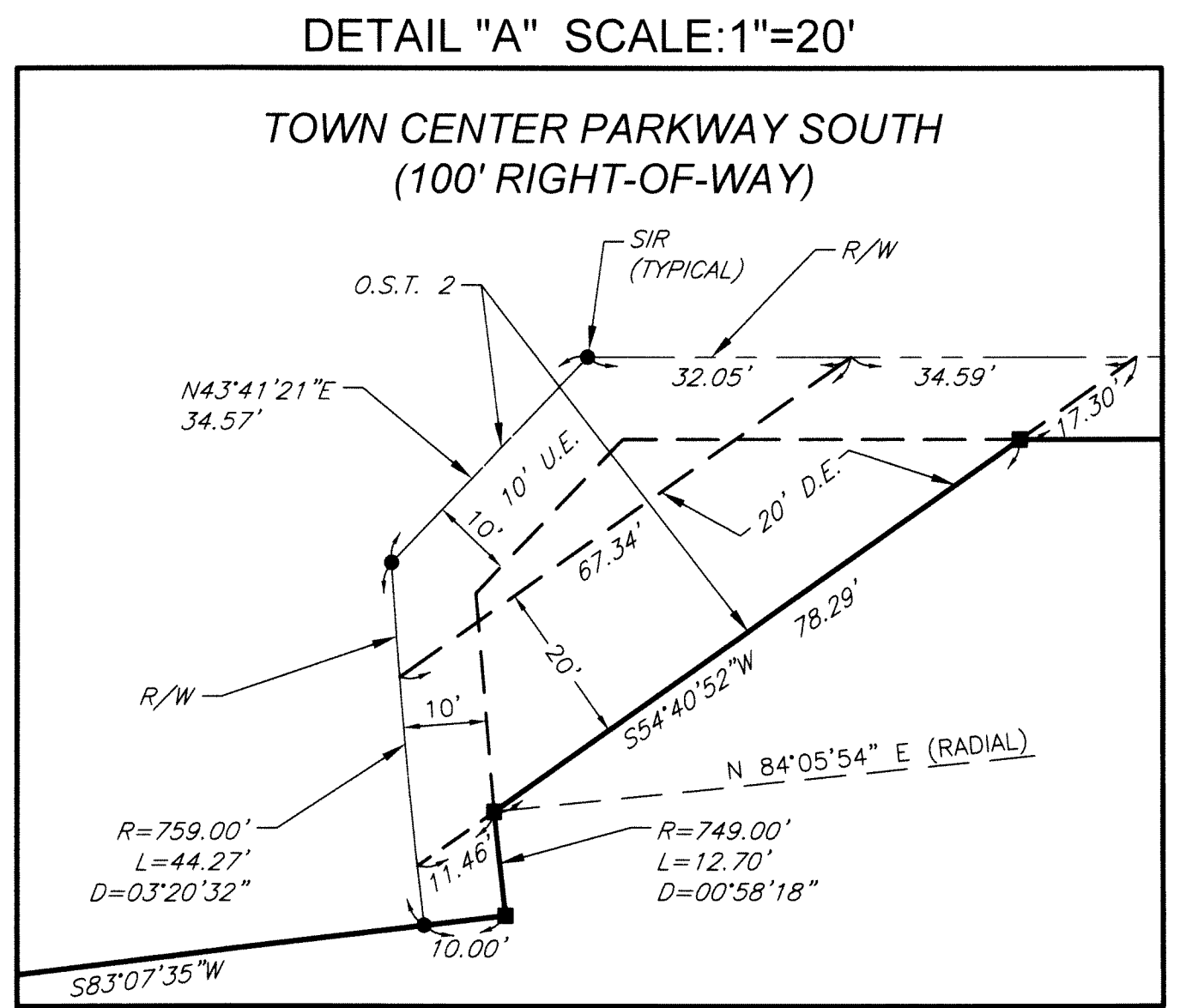
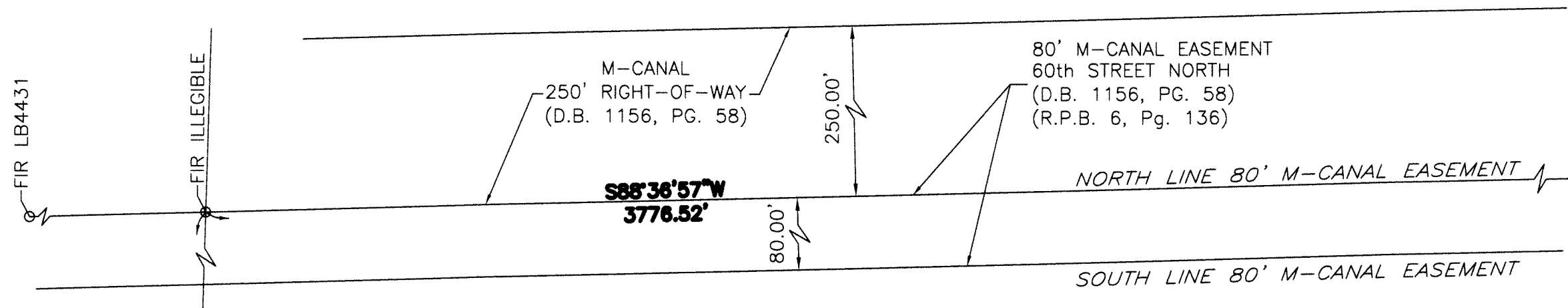
115



POINT OF COMMENCEMENT
NORTHEAST CORNER OF
SECTION 1, TOWNSHIP 43 S., RANGE 40 E.
SET 3 5/8" IRON PIPE "PUBLIC LAND SURVEY
CORNER-TALLAHASSEE MERIDIAN"
BRASS DISK "10' EAST" SET IN CONCRETE
FOUND 10' EAST ON SECTION LINE
N: 884626.7147 E: 886137.1629
NAD83 (2007 ADJUSTMENT)
CERTIFIED CORNER RECORD #107597

BASIS OF BEARING
NORTH BOUNDARY OF SECTION 6,
TOWNSHIP 43 S., RANGE 41 E.
S.89°48'53"E., 5270.23' (MEASURED)
S.89°48'52"E., 5270.39' (COUNTY)

NORTHEAST CORNER SECTION 6-43-41
FOUND BRASS DISK IN CONCRETE "P.B.C."
N 884809.6818 E 891407.3638
NAD83 (2007 ADJUSTMENT)
CERTIFIED CORNER RECORD #107591



BEARINGS SHOWN HEREON ARE BASED ON THE NORTH BOUNDARY OF SECTION 6, TOWNSHIP 43 SOUTH, RANGE 41 EAST, HAVING A GRID BEARING OF S.89°48'53"E. (MEASURED). BEARINGS SHOWN HEREON, REFER TO THE STATE PLANE COORDINATE SYSTEM, NORTH AMERICA DATUM OF 1983 (NAD 83 - '07) FOR THE EAST ZONE OF FLORIDA. SAID BASIS OF BEARING IS THE SAME IN THE NORTH AMERICAN DATUM OF 1983 (NAD 83 - '90). COORDINATES SHOWN HEREON ARE FLORIDA STATE PLANE GRID DATUM = NAD83 2007 ADJUSTMENT ZONE = FLORIDA EAST LINEAR UNITS = US SURVEY FEET COORDINATE SYSTEM = 1983 STATE PLANE PROJECTION = TRANSVERSE MERCATOR ALL DISTANCES ARE GROUND SCALE FACTOR = 1.0000 GROUND DISTANCE X SCALE FACTOR = GRID DISTANCE PLAT BEARING = GRID BEARING NO ROTATION ALL TIES TO SECTION CORNERS AND QUARTER CORNERS ARE GENERATED FROM MEASURED VALUES

NOTICE: THIS PLAT, AS RECORDED IN ITS GRAPHIC FORM, IS THE OFFICIAL DEPICTION OF THE SUBDIVIDED LANDS DESCRIBED HEREIN AND WILL IN NO CIRCUMSTANCES BE SUPPLANTED IN AUTHORITY BY ANY OTHER GRAPHIC OR DIGITAL FORM OF THE PLAT. THERE MAY BE ADDITIONAL RESTRICTIONS THAT ARE NOT RECORDED ON THIS PLAT THAT MAY BE FOUND IN THE PUBLIC RECORDS OF THIS COUNTY.

LEGEND

P.B.C. ----- PALM BEACH COUNTY	P.C. ----- POINT OF CURVATURE	R ----- RADIUS
P.B. ----- PLAT BOOK	P.T. ----- POINT OF TANGENCY	L ----- ARCH LENGTH
O.R./O.R.B. ----- OFFICIAL RECORDS BOOK	P.R.C. ----- POINT OF REVERSE CURVATURE	D ----- DELTA ANGLE
PG ----- PAGE	R.P.B. ----- ROAD PLAT BOOK	CB ----- CHORD BEARING
D.E. ----- DRAINAGE EASEMENT	R/W ----- RIGHT-OF-WAY	C ----- CHORD LENGTH
U.E. ----- UTILITY EASEMENT	NAD ----- NORTH AMERICAN DATUM	O.S.T. ----- OPEN SPACE TRACT
D.B. ----- DEED BOOK	P.S.M. ----- PROFESSIONAL SURVEYOR AND MAPPER	LB ----- LICENSED BUSINESS
FIR ----- FOUND IRON ROD	SIR ----- SET 1/2" IRON ROD LB7768	CL ----- CENTERLINE

NORTHEAST CORNER OF SECTION 11, TOWNSHIP 43 S., RANGE 40 E.
SET 3 5/8" IRON PIPE "PUBLIC LAND SURVEY
CORNER-TALLAHASSEE MERIDIAN"
N 879901.1924 E 880403.6484
CERTIFIED CORNER RECORD #107586

GeoPoint
Surveying, Inc.

4152 W. Blue Heron Blvd. Phone: (561) 444-2720
Suite 105 www.geopointsurvey.com
Riviera Beach, FL 33404 Licensed Business Number LB 7768
Sheet No. 2 of 2 Sheets