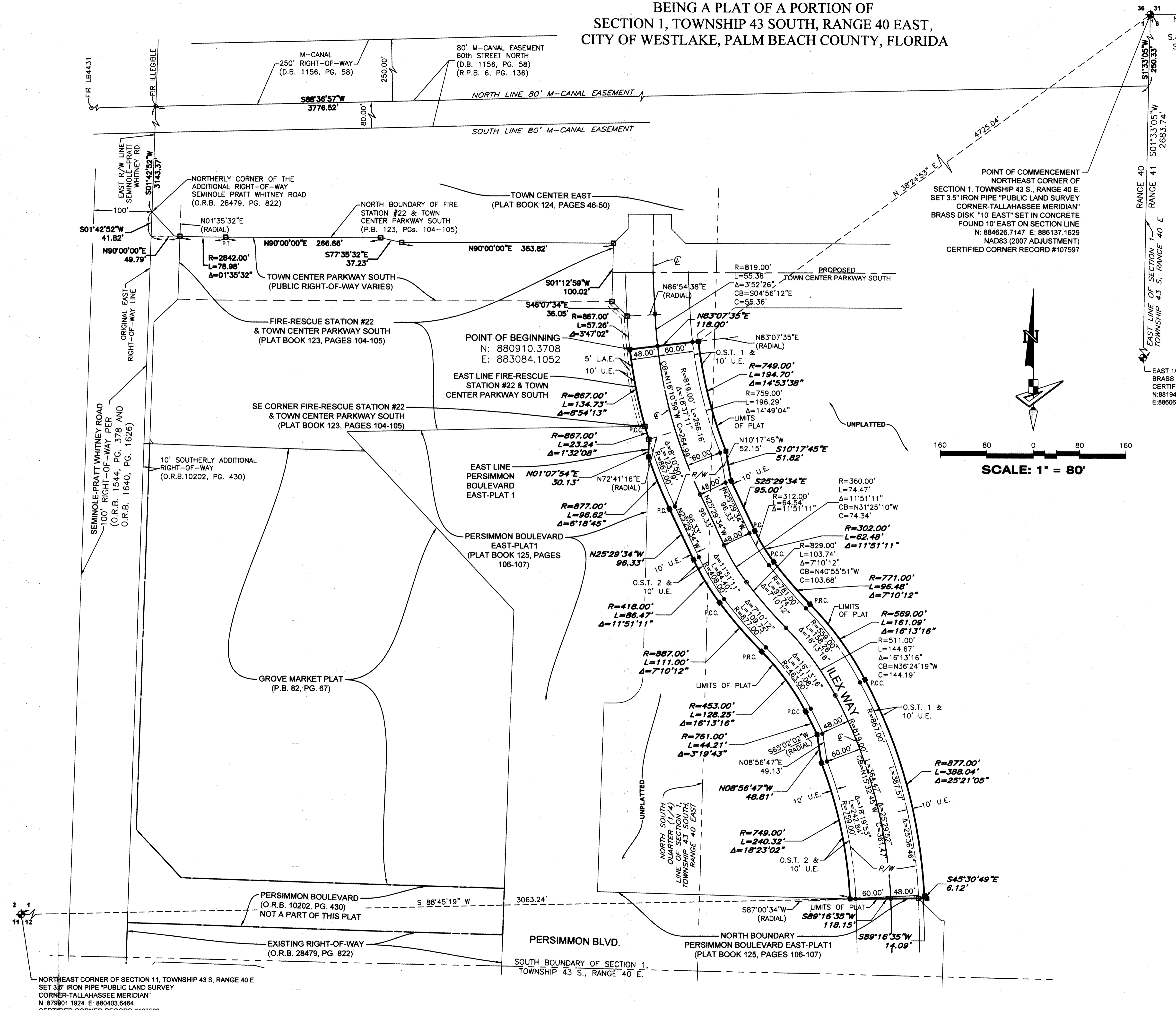


ILEX WAY - PHASE I

BEING A PLAT OF A PORTION OF
SECTION 1, TOWNSHIP 43 SOUTH, RANGE 40 EAST,
CITY OF WESTLAKE, PALM BEACH COUNTY, FLORIDA

117

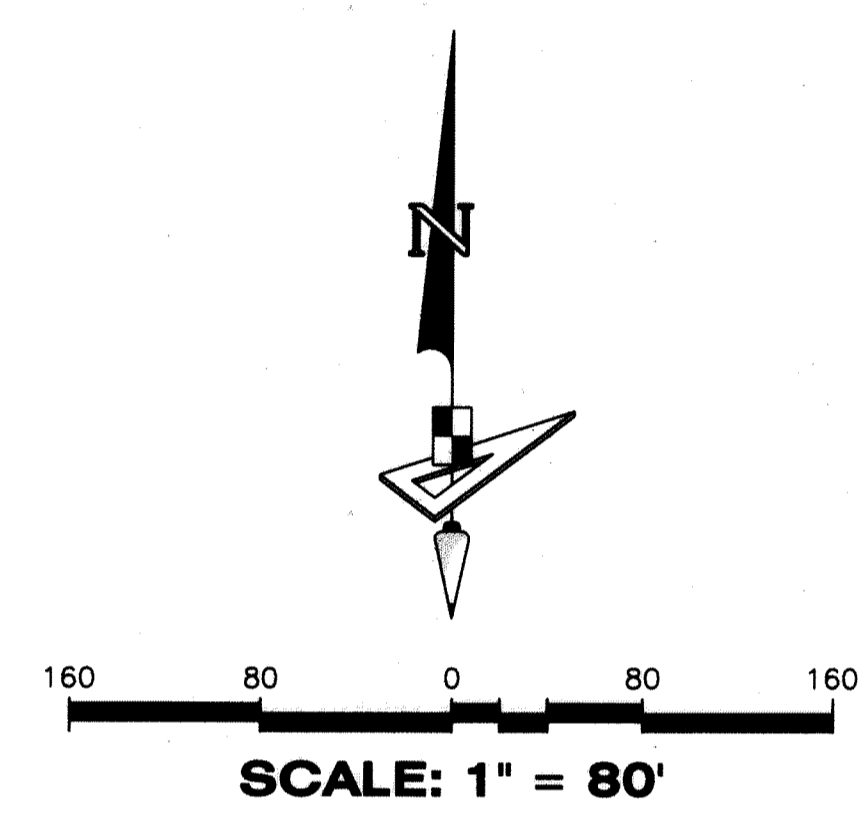


BASIS OF BEARING
NORTH BOUNDARY OF SECTION 6,
TOWNSHIP 43 S., RANGE 41 E.,
S.89°48'53\"E., 5270.23' (MEASURED)
S.89°48'52\"E., 5270.39' (COUNTY)

NORTHEAST CORNER SECTION 6-43-41
FOUND BRASS DISK IN CONCRETE \"P.B.C.\"
N: 884626.7147 E: 891407.3638
NAD83 (2007 ADJUSTMENT)
CERTIFIED CORNER RECORD #107591

POINT OF COMMENCEMENT
NORTHEAST CORNER OF
SECTION 1, TOWNSHIP 43 S., RANGE 40 E.
SET 3.5\" IRON PIPE \"PUBLIC LAND SURVEY
CORNER-TALLAHASSEE MERIDIAN\"
BRASS DISK \"10\" EAST\" SET IN CONCRETE
FOUND 10' EAST ON SECTION LINE
N: 884626.7147 E: 891407.3638
NAD83 (2007 ADJUSTMENT)
CERTIFIED CORNER RECORD #107597

EAST 1/4 CORNER SECTION 1-43-40
BRASS DISK IN CONCRETE \"P.B.C.\"
CERTIFIED CORNER RECORD: 107599
N: 881943.9584 (83/07)
E: 886064.5056 (83/07)



BEARINGS SHOWN HEREON ARE BASED ON THE NORTH BOUNDARY OF SECTION 6, TOWNSHIP 43 SOUTH, RANGE 41 EAST, HAVING A GRID BEARING OF S.89°48'53\"E. (MEASURED). BEARINGS SHOWN HEREON, REFER TO THE STATE PLANE COORDINATE SYSTEM, NORTH AMERICA DATUM OF 1983 (NAD 83 - '07) FOR THE EAST ZONE OF FLORIDA. SAID BASIS OF BEARING IS THE SAME IN THE NORTH AMERICAN DATUM OF 1983 (NAD 83 - '90). COORDINATES SHOWN HEREON ARE FLORIDA STATE PLANE GRID

DATUM = NAD83 2007 ADJUSTMENT
ZONE = FLORIDA EAST
LINEAR UNITS = US SURVEY FEET
COORDINATE SYSTEM = 1983 STATE PLANE
PROJECTION = TRANSVERSE MERCATOR
ALL DISTANCES ARE GROUND
SCALE FACTOR: 1.0000
GROUND DISTANCE X SCALE FACTOR = GRID DISTANCE
PLAT BEARING = GRID BEARING
NO ROTATION
ALL TIES TO SECTION CORNERS AND QUARTER CORNERS ARE GENERATED FROM MEASURED VALUES

LEGEND

P.C. -----	POINT OF CURVATURE
P.T. -----	POINT OF TANGENCY
P.C.C. -----	POINT OF COMPOUND CURVATURE
P.R.C. -----	POINT OF REVERSE CURVATURE
R.P.B. -----	ROAD PLAT BOOK
R/W -----	RIGHT-OF-WAY
NAD -----	NORTH AMERICAN DATUM
P.S.M. -----	PROFESSIONAL SURVEYOR AND MAPPER
SIR -----	SET 1/2\" IRON ROD LB7768
P.B.C. -----	PALM BEACH COUNTY
P.B. -----	PLAT BOOK
O.R./O.R.B. -----	OFFICIAL RECORDS BOOK
PG./PGs. -----	PAGE/PAGES
D.E. -----	DRAINAGE EASEMENT
U.E. -----	UTILITY EASEMENT
L.A.E. -----	LIMITED ACCESS EASEMENT
D.B. -----	DEED BOOK
FIR -----	FOUND IRON ROD
R -----	RADIUS
L -----	ARCH LENGTH
Δ -----	DELTA ANGLE
CB -----	CHORD BEARING
C -----	CHORD LENGTH
O.S.T. -----	OPEN SPACE TRACT
LB -----	LICENSED BUSINESS
⊕ -----	CENTERLINE
□ -----	FOUND PERMANENT REFERENCE MONUMENT LB7768

NOTICE: THIS PLAT, AS RECORDED IN ITS GRAPHIC FORM, IS THE OFFICIAL DEPICTION OF THE SUBDIVIDED LANDS DESCRIBED HEREIN AND WILL IN NO CIRCUMSTANCES BE SUPPLANTED IN AUTHORITY BY ANY OTHER GRAPHIC OR DIGITAL FORM OF THE PLAT. THERE MAY BE ADDITIONAL RESTRICTIONS THAT ARE NOT RECORDED ON THIS PLAT THAT MAY BE FOUND IN THE PUBLIC RECORDS OF THIS COUNTY.

NORTHEAST CORNER OF SECTION 11, TOWNSHIP 43 S., RANGE 40 E
SET 3.5\" IRON PIPE \"PUBLIC LAND SURVEY
CORNER-TALLAHASSEE MERIDIAN\"
N: 879901.1924 E: 890403.6464
CERTIFIED CORNER RECORD #107586