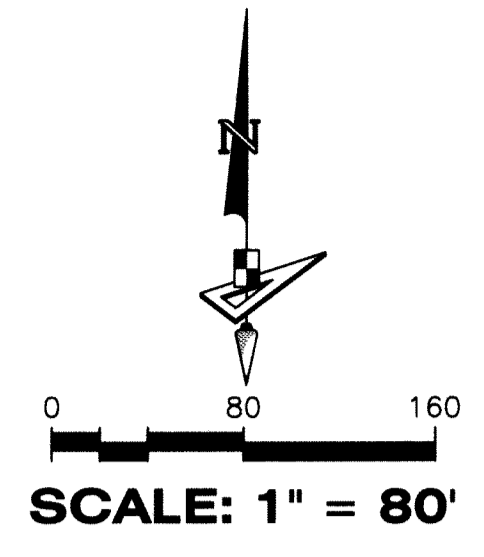
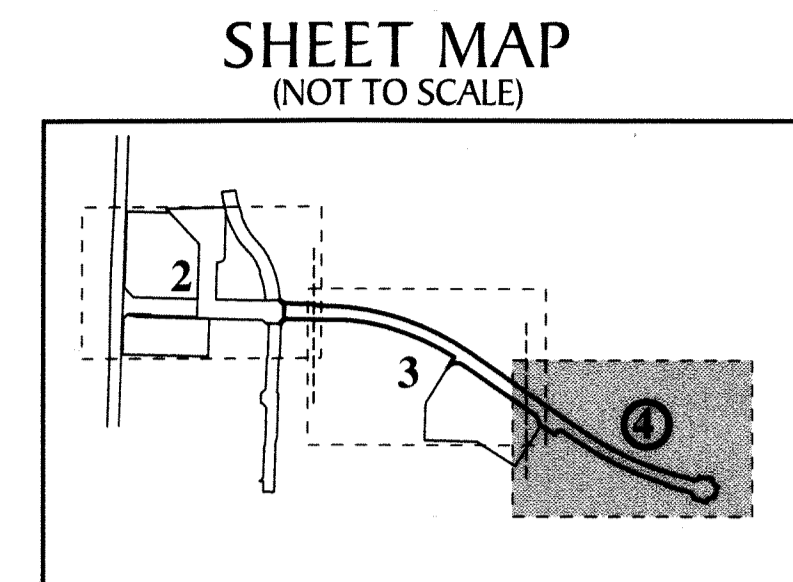


PERSIMMON BOULEVARD EAST - PLAT 2

BEING A PLAT OF A PORTION OF SECTIONS 1 AND 12, TOWNSHIP 43 SOUTH, RANGE 40 EAST,
AND SECTION 7, TOWNSHIP 43 SOUTH, RANGE 41 EAST, CITY OF WESTLAKE,
PALM BEACH COUNTY, FLORIDA

19



SOUTH BOUNDARY OF SECTION 1,
TOWNSHIP 43 S., RANGE 40 E.
NORTH BOUNDARY OF SECTION 12,
TOWNSHIP 43 S., RANGE 40 E.

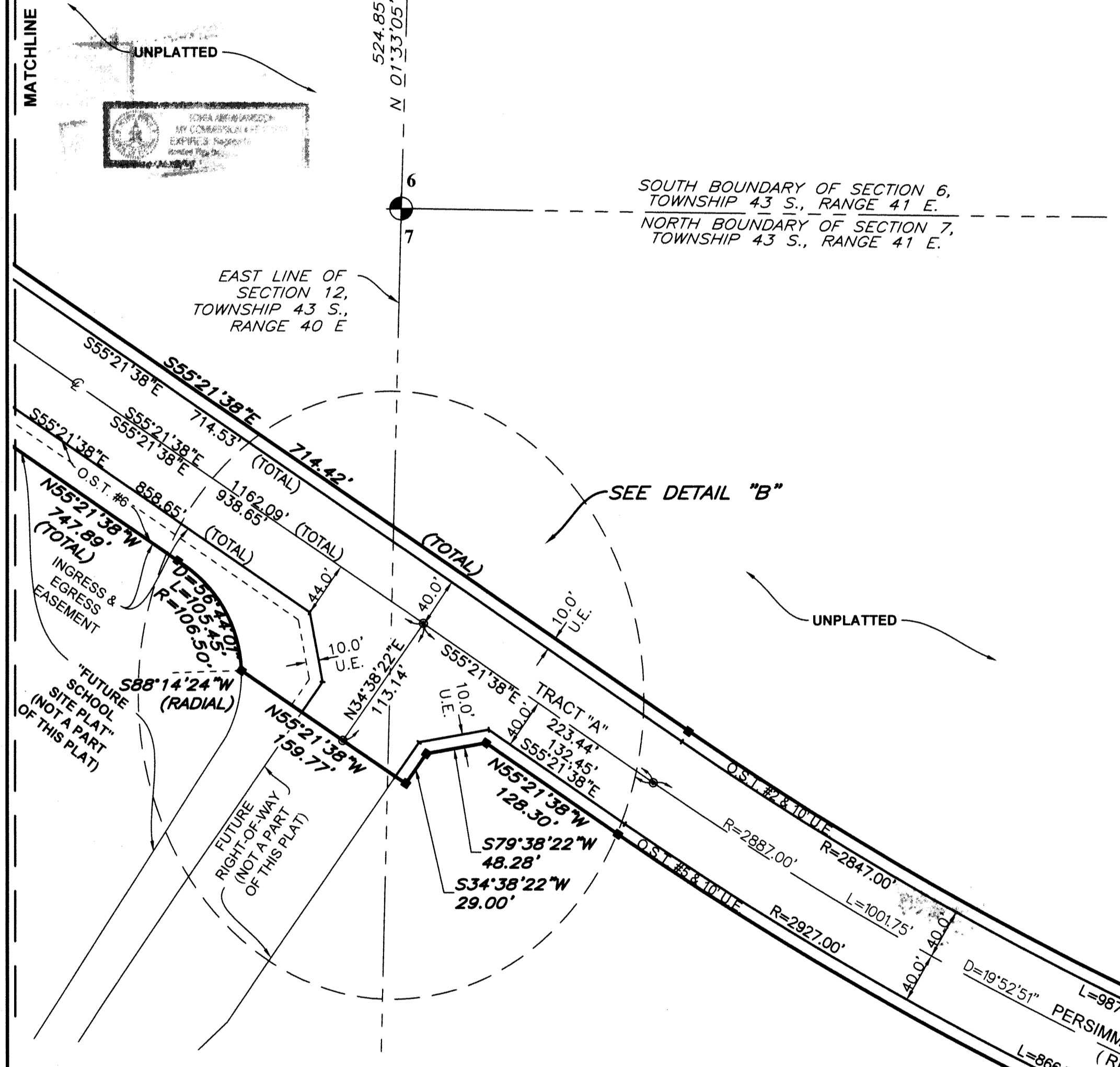
MATCHLINE - SHEET 3

TOWNSHIP 43 S., RANGE 40 E.
TOWNSHIP 43 S., RANGE 41 E.

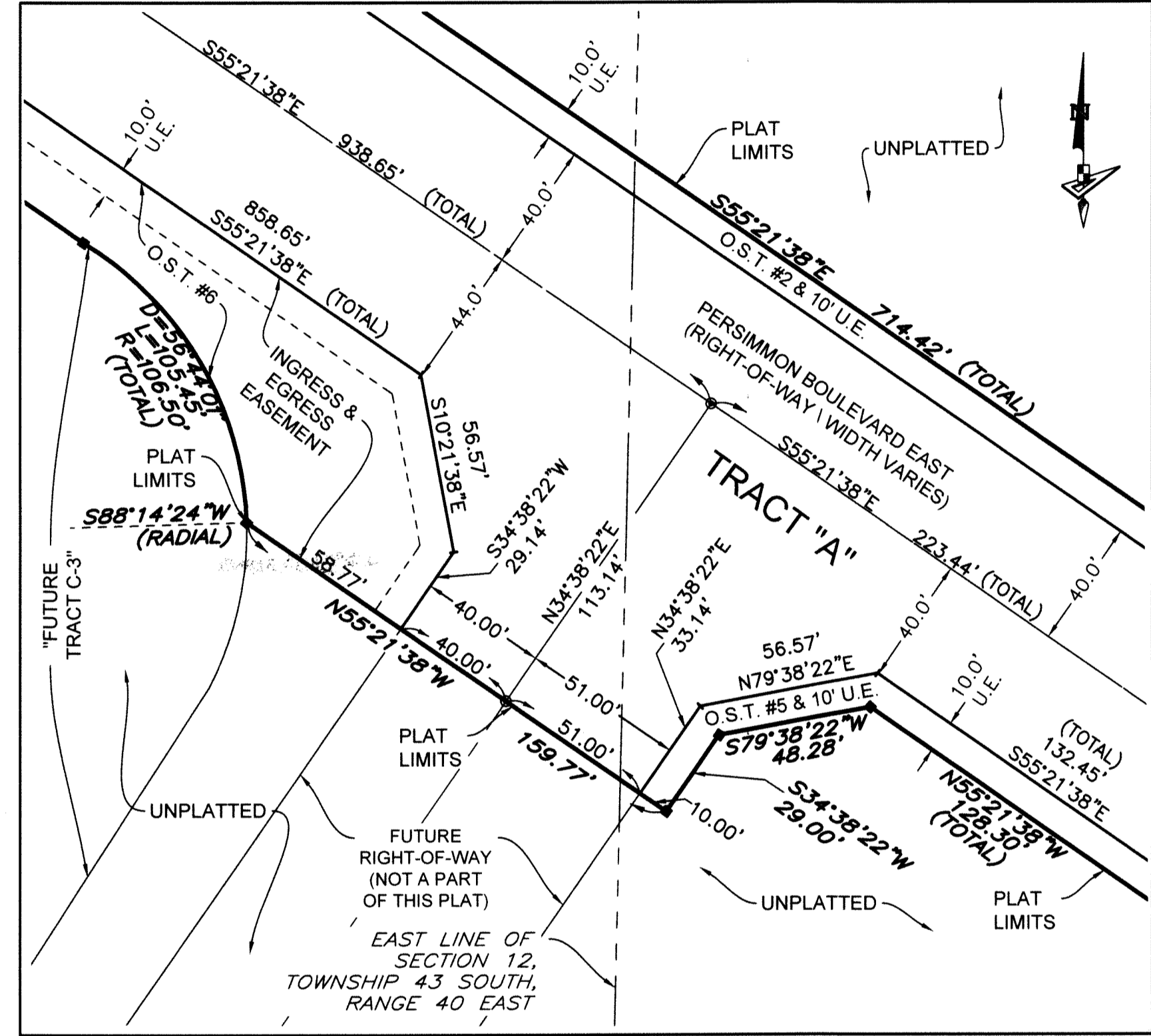
524.85'
N 01°33'05" E

SOUTH BOUNDARY OF SECTION 6,
TOWNSHIP 43 S., RANGE 41 E.
NORTH BOUNDARY OF SECTION 7,
TOWNSHIP 43 S., RANGE 41 E.

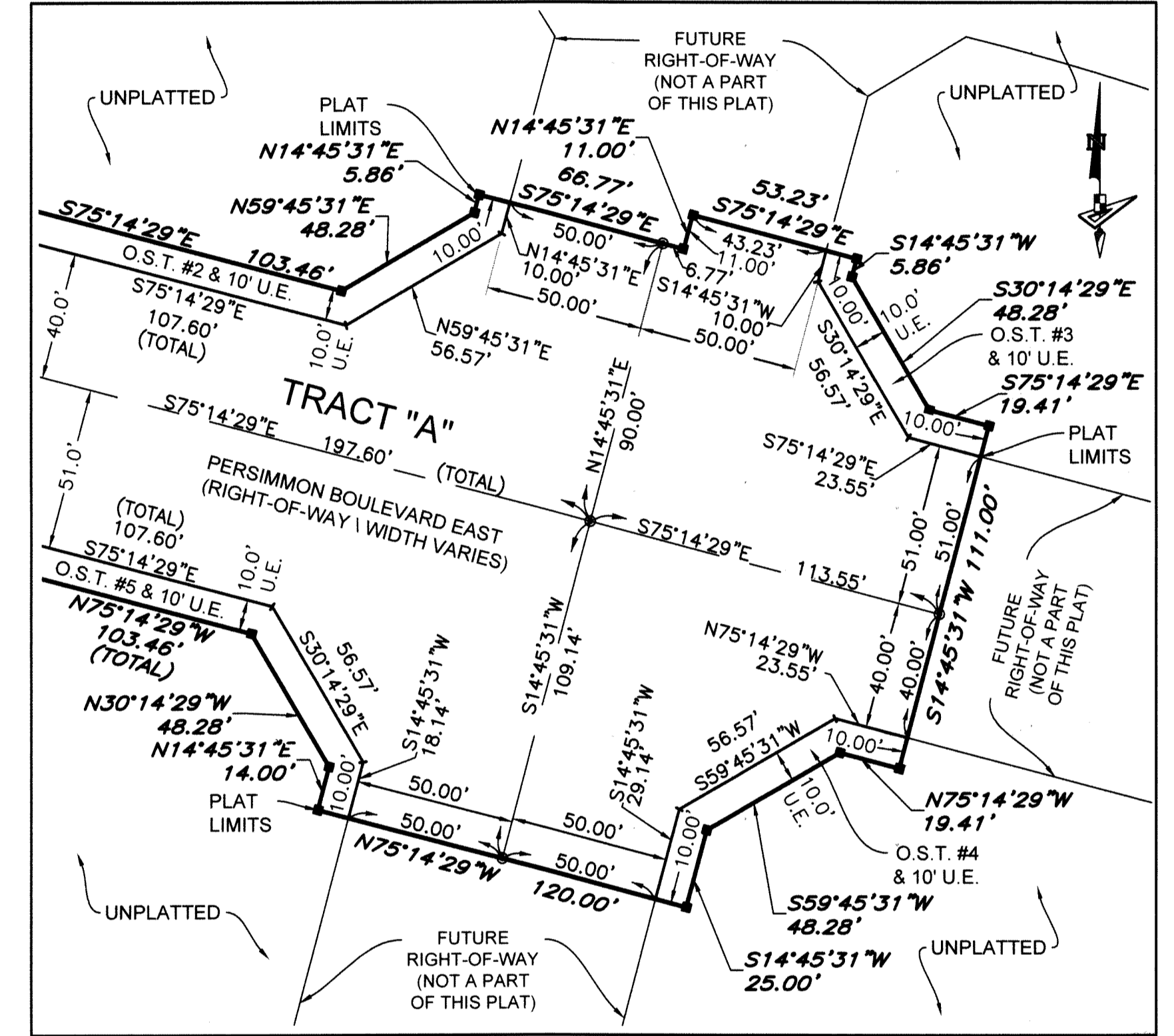
EAST LINE OF
SECTION 12,
TOWNSHIP 43 S.,
RANGE 40 E



DETAIL "B"
SCALE: 1"=40'



DETAIL "C"
SCALE: 1"=40'



- LEGEND
- P.O.B. ----- POINT OF BEGINNING
 - P.B. ----- PLAT BOOK
 - D.B. ----- DEED BOOK
 - PG./PG(S) ----- PAGE(S)
 - O.S.T. ----- OPEN SPACE TRACT
 - P.B.C. ----- PALM BEACH COUNTY
 - U.E. ----- UTILITY EASEMENT
 - R ----- RADIUS
 - L ----- ARCH LENGTH
 - Δ ----- DELTA ANGLE
 - CB ----- CHORD BEARING
 - C ----- CHORD
 - 12-43-40 ----- SECTION-TOWNSHIP-RANGE
 - ----- FOUND PERMANENT REFERENCE MONUMENT
 - ----- SET PERMANENT REFERENCE MONUMENT
 - ----- PERMANENT CONTROL POINT
 - ⊙ ----- CENTERLINE
 - R/W ----- RIGHT-OF-WAY
 - O.R./O.R.B. ----- OFFICIAL RECORDS BOOK