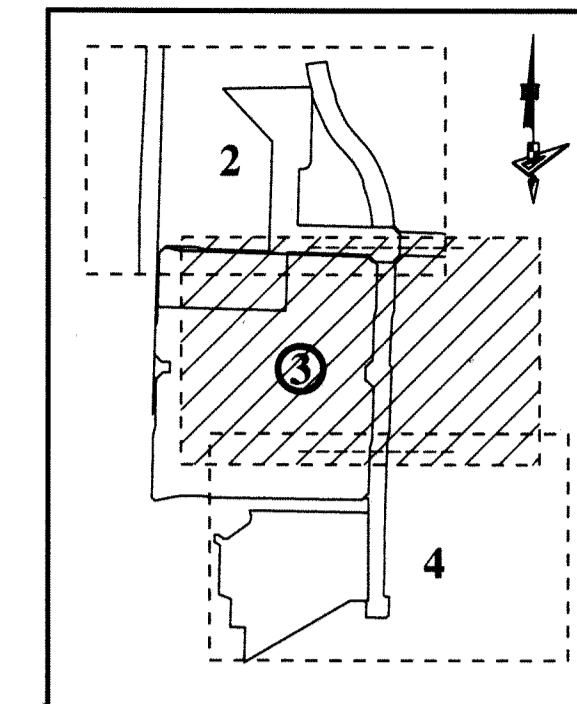


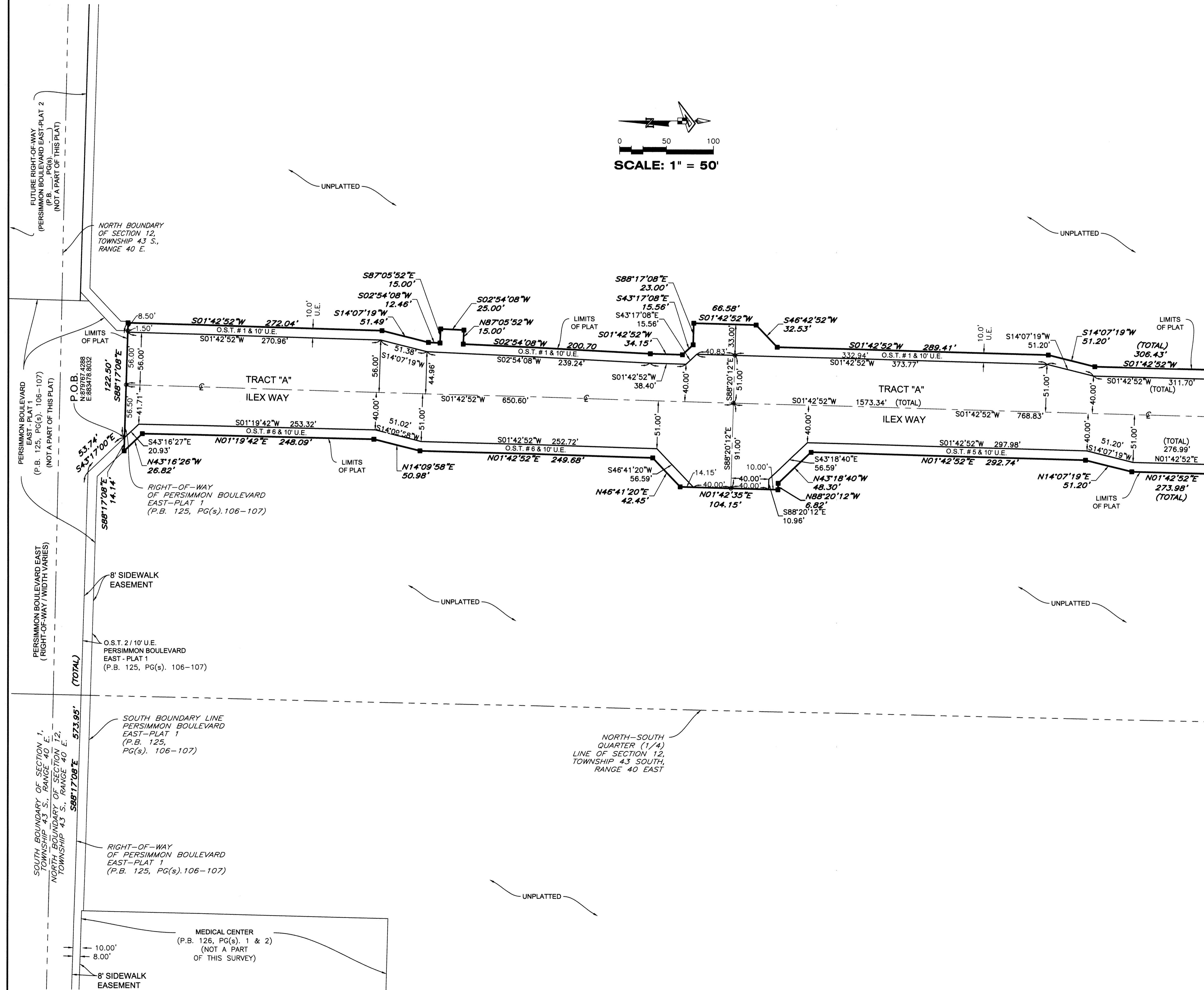
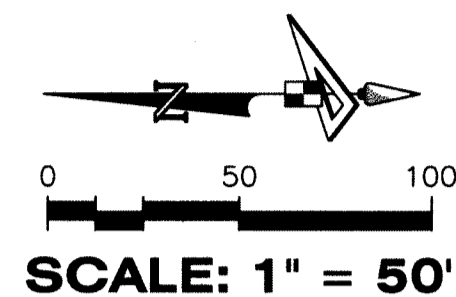
ILEX WAY - PHASE II

BEING A PLAT OF A PORTION OF
SECTION 12, TOWNSHIP 43 SOUTH, RANGE 40 EAST,
CITY OF WESTLAKE, PALM BEACH COUNTY, FLORIDA

SHEET MAP
(NOT TO SCALE)



24



LEGEND

- P.O.B. ----- POINT OF BEGINNING
- P.B. ----- PLAT BOOK
- D.B. ----- DEED BOOK
- PG./PG(s) ----- PAGE(S)
- O.S.T. ----- OPEN SPACE TRACT
- P.B.C. ----- PALM BEACH COUNTY
- R.P.B. ----- ROAD PLAT BOOK
- LB ----- LICENSED BUSINESS
- CL ----- CENTERLINE
- U.E. ----- UTILITY EASEMENT
- L.S.E. ----- LINE SIGHT EASEMENT
- R/W ----- RIGHT-OF-WAY
- 12-43-40 ----- SECTION-TOWNSHIP-RANGE
- ----- FOUND PERMANENT REFERENCE MONUMENT
- ----- SET PERMANENT REFERENCE MONUMENT
- ----- INDICATES (S.I.R.) SET IRON ROD LB776B
- ⊙ ----- PERMANENT CONTROL POINT

GeoPoint
Surveying, Inc.

4152 W. Blue Heron Blvd.
Suite 105
Riviera Beach, FL 33404

Phone: (561) 444-2720
www.geopointsurvey.com
Licensed Business Number LB 7768