

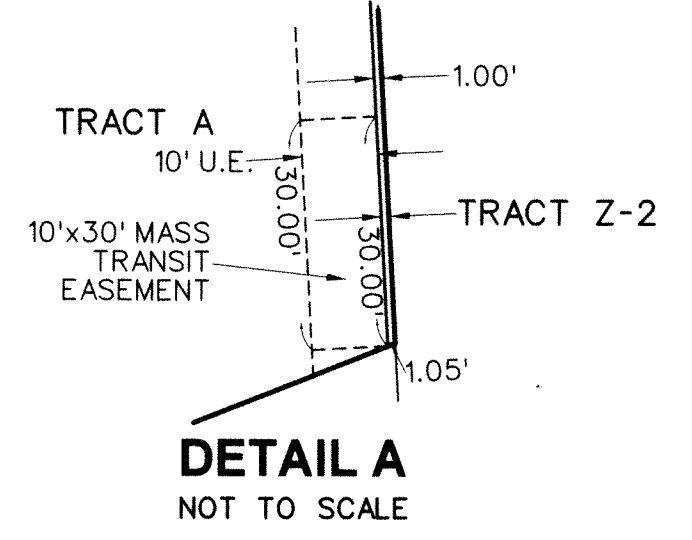
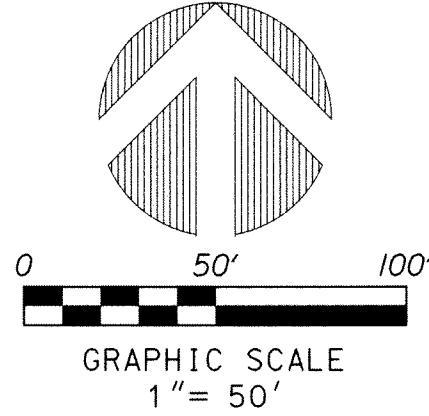
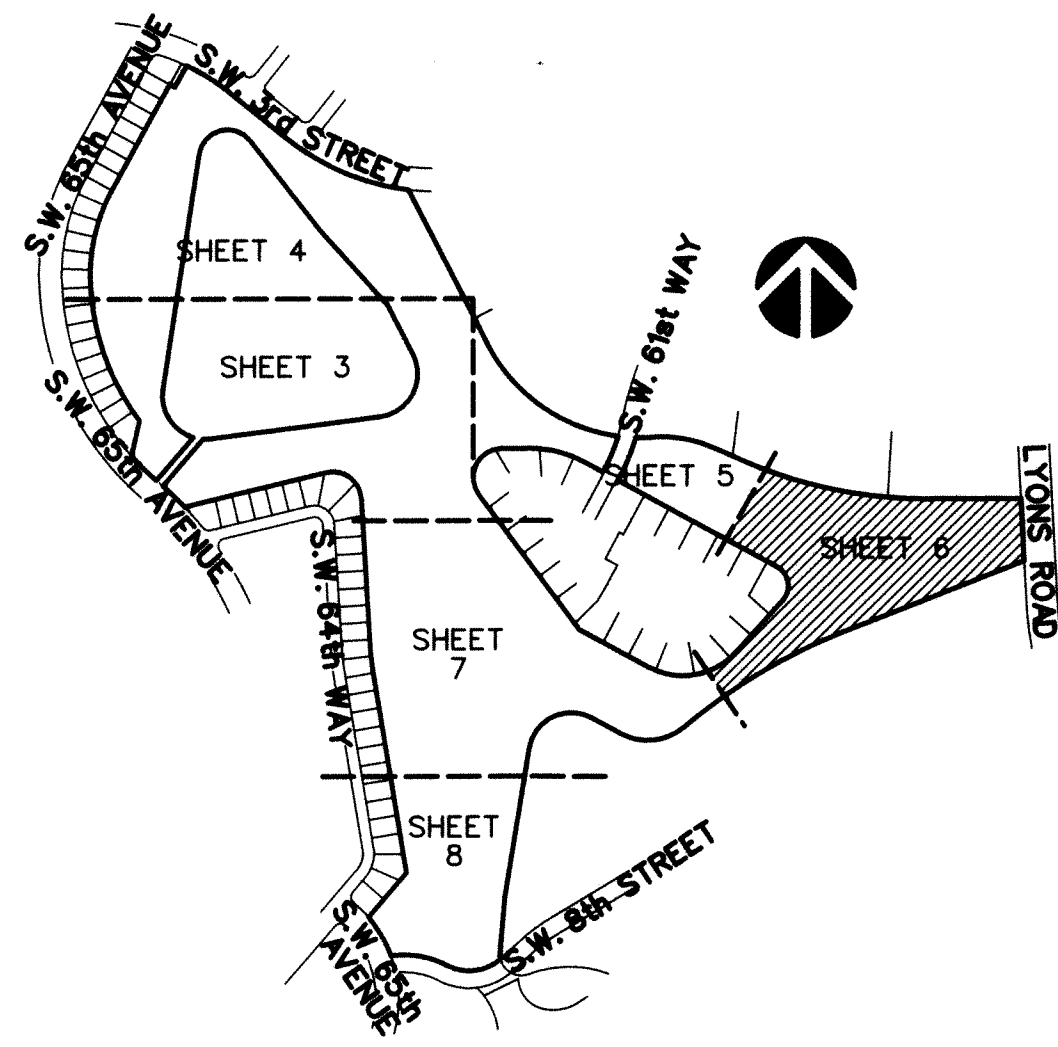
PERIMETER
 SURVEYING & MAPPING
 Certificate of Authorization No. LB7264
 Prepared by: Jeff S. Hodapp, P.S.M.
 947 Clint Moore Road
 Boca Raton, Florida 33487
 Tel: (561) 241-9988
 Fax: (561) 241-5182

RESIDENCES AT BOCA DUNES P.U.D.

A REPLAT OF A PORTION OF PARCEL B, "SANDALFOOT COVE, SECTION TWO", ACCORDING TO THE PLAT THEREOF, AS RECORDED IN PLAT BOOK 29 AT PAGES 15 AND 16 OF THE PUBLIC RECORDS OF PALM BEACH COUNTY, FLORIDA, AND PORTIONS OF TRACTS 37, 38, 39, 40, 45, 46, 47, 48, 49, 50, 58, 59, 60, 61, 62, 63, 64, 65, 66, 67, 68, 76, 77, 78, 79, 80, 92, AND 93, BLOCK 81, PALM BEACH FARMS COMPANY PLAT NO. 3, ACCORDING TO THE PLAT THEREOF, RECORDED IN PLAT BOOK 2, PAGES 45 THROUGH 54, OF SAID PUBLIC RECORDS, TOGETHER WITH THOSE CERTAIN 30 FOOT ROAD RIGHTS-OF-WAY, LYING ADJACENT TO THE ABOVE DESCRIBED TRACTS, AS ABANDONED PER OFFICIAL RECORDS BOOK 2013 AT PAGE 1451 OF SAID PUBLIC RECORDS, IN SECTION 30, TOWNSHIP 47 SOUTH, RANGE 42 EAST, PALM BEACH COUNTY, FLORIDA.

19

SHEET 6 OF 8



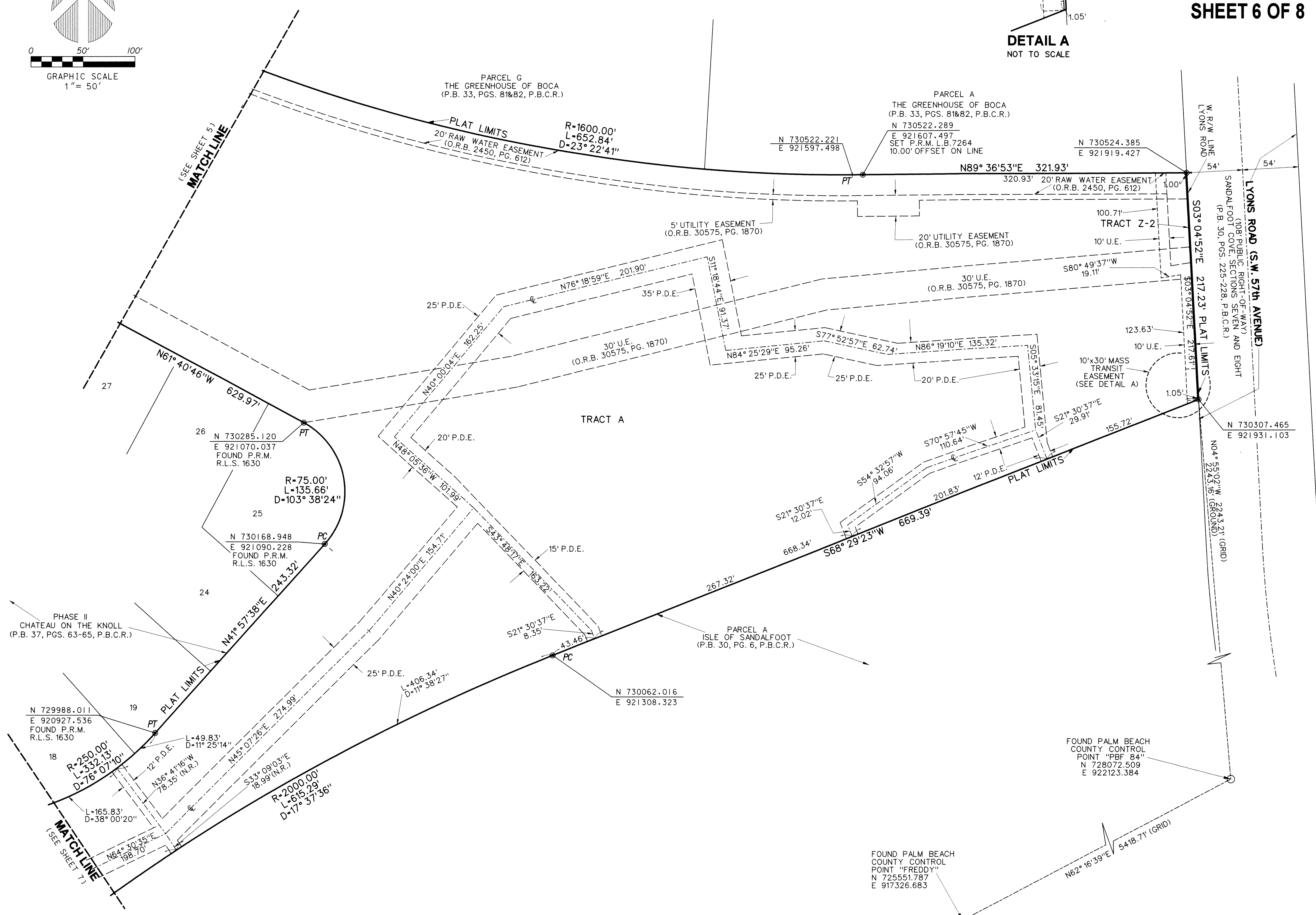
NOTES:
COORDINATES, BEARINGS AND DISTANCES
 COORDINATES SHOWN ARE GRID
 DATUM - NAD 83 1990 ADJUSTMENT
 ZONE - FLORIDA EAST
 LINEAR UNIT - US SURVEY FOOT
 COORDINATE SYSTEM 1983 STATE PLANE
 TRANSVERSE MERCATOR PROJECTION
 ALL DISTANCES ARE GROUND, UNLESS OTHERWISE NOTED
 SCALE FACTOR - 1.000021
 GROUND DISTANCE X SCALE FACTOR = GRID DISTANCE
 BEARINGS AS SHOWN HEREON ARE GRID DATUM,
 NAD 83 1990 ADJUSTMENT, FLORIDA EAST ZONE

LEGEND:

- SET P.R.M. (UNLESS OTHERWISE NOTED) - 4" x 4" CONC. MON. WITH ALUMINUM DISK, STAMPED •LB7264 CENTERLINE
- ⊕ CENTERLINE

ABBREVIATIONS:

- CONC. CONCRETE
- COR. CORNER
- P.D.E. PUBLIC DRAINAGE EASEMENT
- F.P.L.L. FLORIDA POWER AND LIGHT COMPANY
- L.B.E. LICENSED BUSINESS
- L.M.E. LANDSCAPE BUFFER EASEMENT
- L.M.E. LAKE MAINTENANCE EASEMENT
- L.S. LICENSED SURVEYOR
- L.S.E. LIFT STATION EASEMENT
- L.W.D.D. LAKE WORTH DRAINAGE DISTRICT
- MON. MONUMENT
- O.R.B. OFFICIAL RECORDS BOOK
- P.B. PLAT BOOK
- P.B.C.R. PALM BEACH COUNTY RECORDS
- P.G. PAGE
- P.G.S. PAGES
- P.O.B. POINT OF BEGINNING
- P.O.C. POINT OF COMMENCEMENT
- P.R.M. PERMANENT REFERENCE MONUMENT
- P.S.M. PROFESSIONAL SURVEYOR & MAPPER
- P.U.D. PLANNED UNIT DEVELOPMENT
- R.A.S. RESIDENTIAL ACCESS STREET
- R.L.S. REGISTERED LAND SURVEYOR
- R/W RIGHT-OF-WAY
- SEC. SECTION
- U.E. UTILITY EASEMENT
- PC POINT OF CURVATURE
- PT POINT OF TANGENCY
- PCC POINT OF COMPOUND CURVATURE
- NT NON-TANGENT
- R RADIAL
- L ARCLength
- D DELTA (CENTRAL ANGLE)
- (N.R.) NON-RADIAL



FOUND PALM BEACH COUNTY CONTROL POINT "FREDDY"
 N 725551.787
 E 917326.683

FOUND PALM BEACH COUNTY CONTROL POINT "PBF 84"
 N 728072.509
 E 922123.384