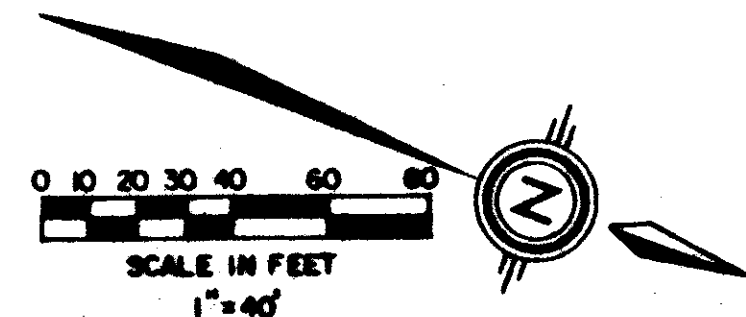


DRAWING NUMBER
51/57

57

51

SOUTHPOINTE PLAT 2
A PART OF PIPERS GLEN, A P.U.D.
 SITUATE IN SECTION 2, TOWNSHIP 46 SOUTH, RANGE 42 EAST,
 PALM BEACH COUNTY, FLORIDA,
 BEING A REPLAT OF A PORTION OF TRACT "A2" OF PIPERS GLEN PLAT NO. 1 (PB.43 P.97-101)
 FEBRUARY, 1985
 SHEET 2 OF 4

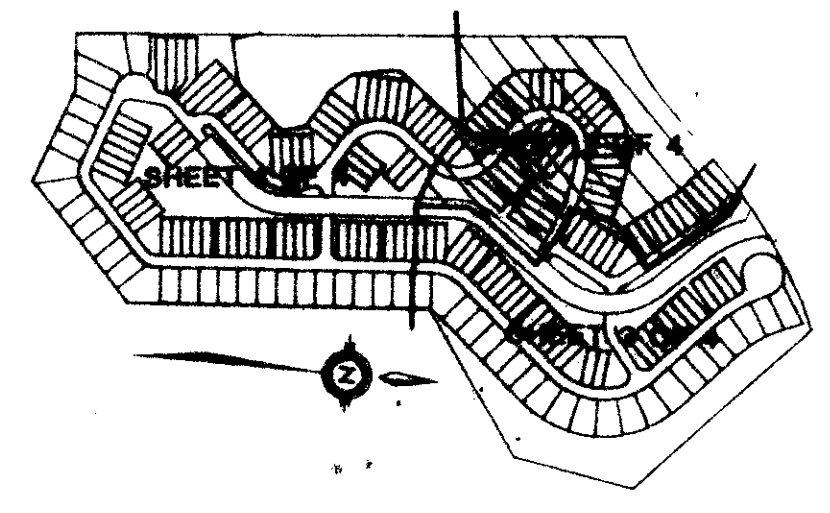
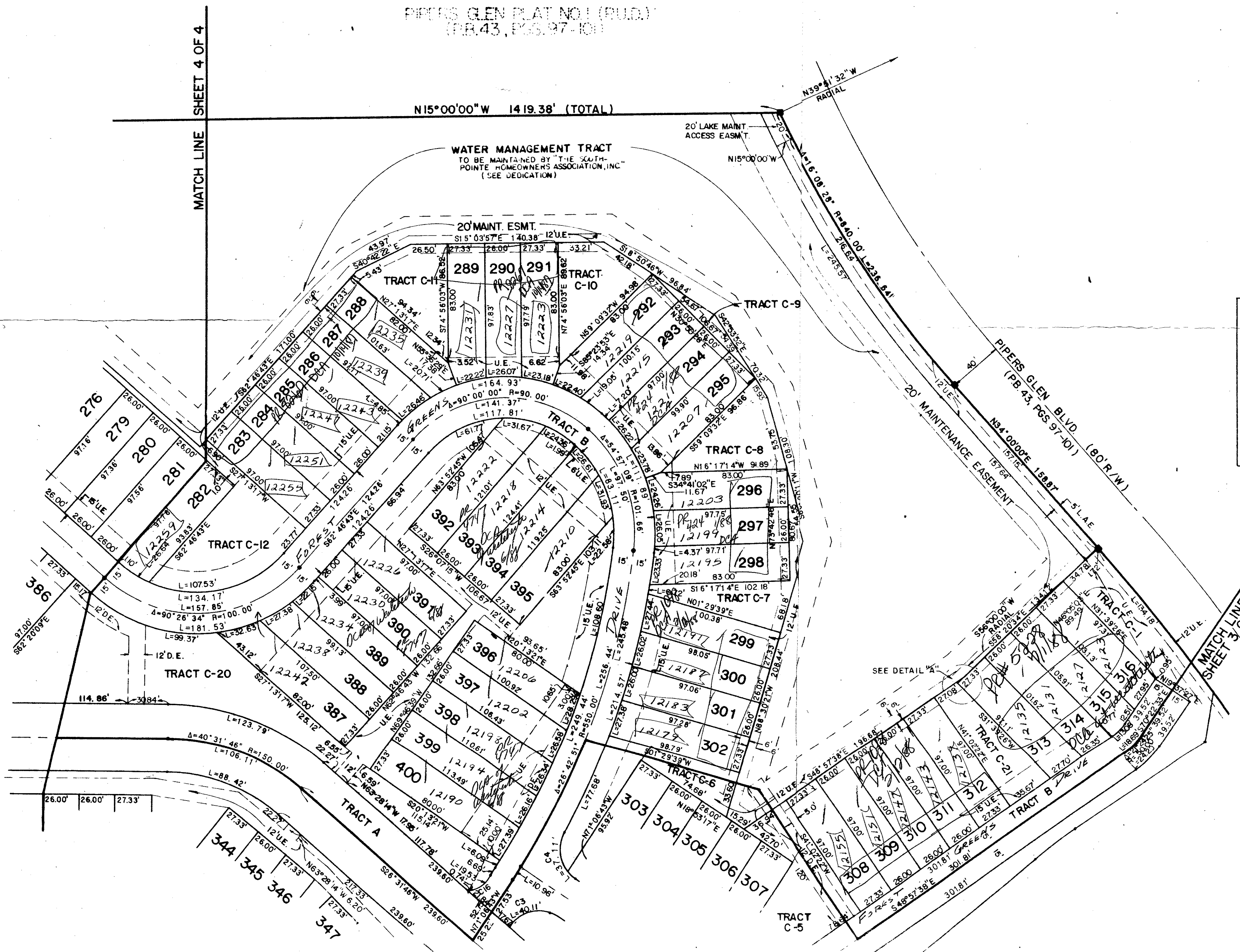


STATE OF FLORIDA
 COUNTY OF PALM BEACH
 THIS PLAT WAS FILED FOR
 RECORD AT _____
 THIS _____ DAY OF _____
 AD, 1984 AND DULY RECORDED
 IN PLAT BOOK _____ ON PAGES
 _____ AND _____
 JOHN B. DUNKLE, CLERK
 BY: _____, D.C.

DRAWING NUMBER

DRAWING NUMBER

DRAWING NUMBER



NO	DEF. FA.	RADIUS	LENGTH
C1	90°32'09"	12.00'	18.96'
C2	67°31'27"	20.00'	23.69'
C3	91°56'37"	25.00'	40.11'
C4	85°02'42"	25.00'	37.11'
C5	36°39'51"	25.00'	16.00'
C6	117°06'51"	13.62'	27.84'
C7	179°19'21"	11.29'	35.33'
C8	69°57'07"	25.00'	30.32'
C9	62°10'55"	20.00'	21.71'
C10	10°46'02"	25.00'	4.70'
C11	90°00'00"	25.00'	39.27'
C12	90°00'00"	25.00'	39.27'
C13	106°43'50"	25.00'	46.57'
C14	99°27'34"	25.00'	43.40'
C15	84°54'08"	25.00'	37.05'
C16	40°41'50"	27.50'	19.53'

2/10/85
 0298-0000
 0298-002

51/57

Meridian Surveying and Mapping Inc.
 WEST PALM BEACH, FLORIDA

DRAWN	MR	DATE	11-84
CHECKED		SCALE	1" = 40'
DRAWING NO	84-P-010		

SOUTHPOINTE PLAT NO.2