

DRAWING NUMBER  
**55/48**  
 PLAN HOLD CORPORATION • IRVINE, CALIFORNIA  
 RECORDED BY NUMBER 07348

# GLENEAGLES PLAT NINE

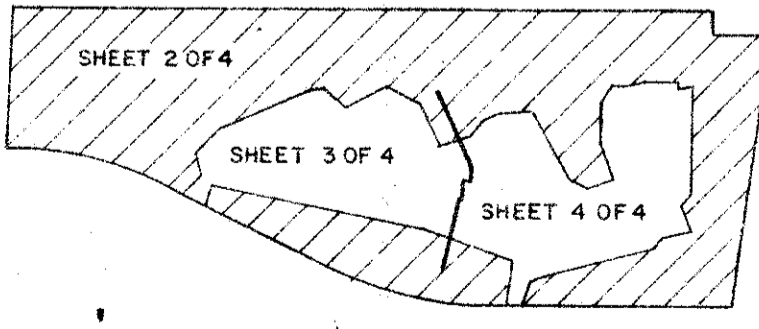
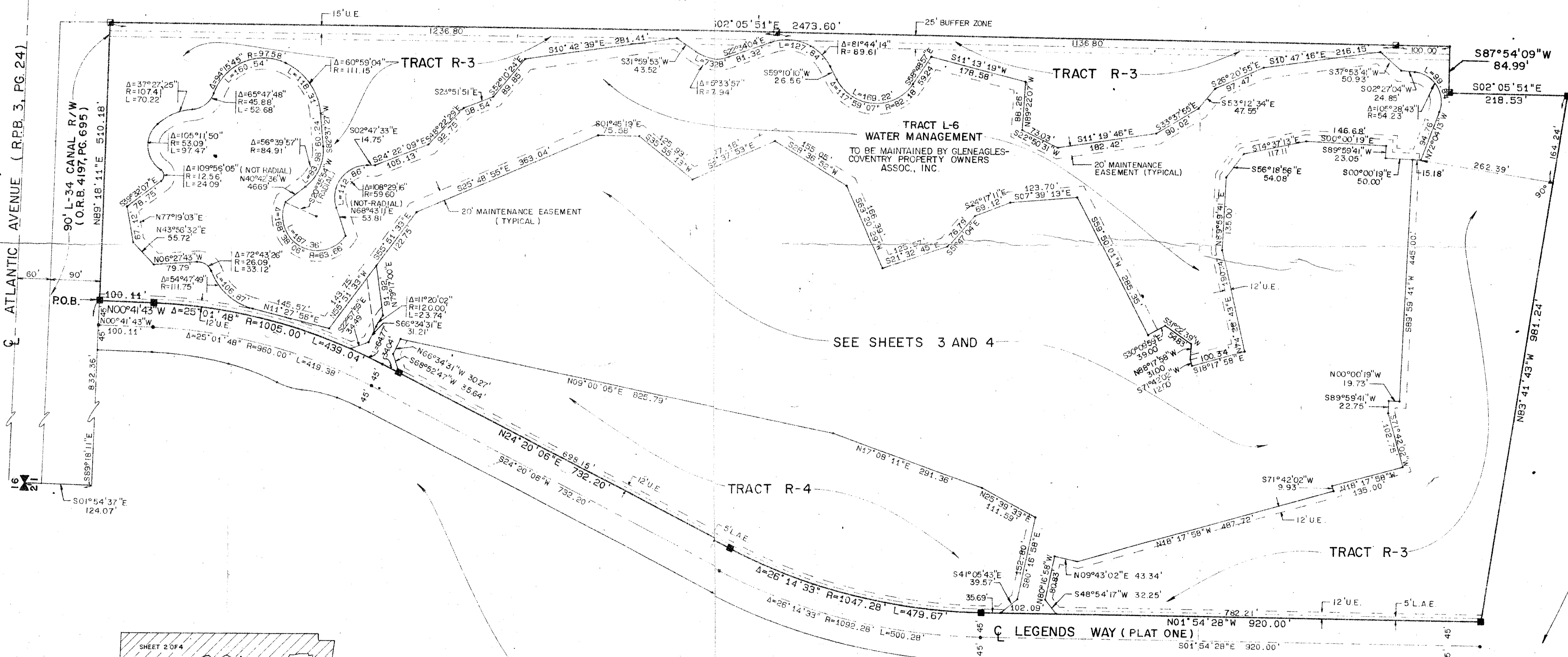
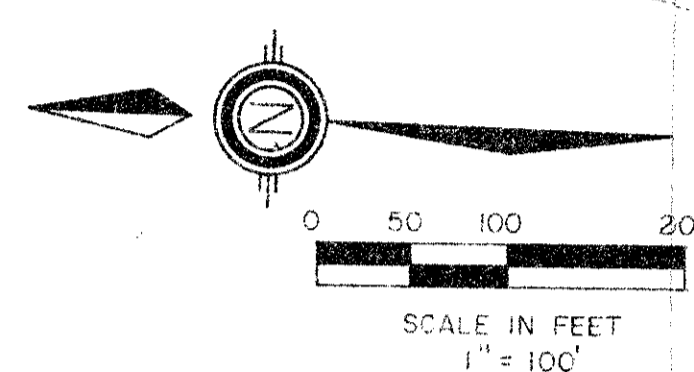
(OF GLENEAGLES, A P.U.D.)

SITUATE IN SECTION 21, TOWNSHIP 46 SOUTH, RANGE 42 EAST,  
 PALM BEACH COUNTY, FLORIDA, BEING A REPLAT OF A PORTION OF TRACT A,  
 GLENEAGLES PLAT ONE, (P.B. 50, PGS. 63 - 65).

SHEET 2 OF 4.

48

STATE OF FLORIDA  
 COUNTY OF PALM BEACH  
 THIS PLAT WAS FILED FOR  
 RECORD \_\_\_\_\_ DAY OF \_\_\_\_\_  
 AD, 1986 AND DULY RECORDED  
 IN PLAT BOOK \_\_\_\_\_ ON PAGES  
 \_\_\_\_\_ AND \_\_\_\_\_  
 JOHN B. DUNKLE, CLERK  
 BY: \_\_\_\_\_, D.C.



GLENEAGLES PLAT THREE  
 (P.B. 51, PGS. 145-146)

2/14/86  
 SUBDIVISION \* *Gleneagles*  
 BOOK *55* PAGE *48*  
 FLOOD ZONE *B* FLOOD MAP # *215A*  
 ROAD # *52* BOARDING  
 P.U.D. NAME *PLAT 9*

0230-008  
**55/48**

Meridian Surveying and mapping inc.  
 2328 SO. CONGRESS AVE.  
 WEST PALM BEACH, FL.  
 DRAWN M.E.H. DATE APRIL, 1986  
 CHECKED R.A.H. SCALE 1" = 100'  
 DRAWING NO. 85-103 PL. 9  
**GLENEAGLES PLAT NINE**  
 SEC. 21, TWP. 46 S., RGE. 42 E.

DRAWING NUMBER

DRAWING NUMBER

DRAWING NUMBER

PLAN HOLD CORPORATION • IRVINE, CALIFORNIA  
 RECORDED BY NUMBER 07348