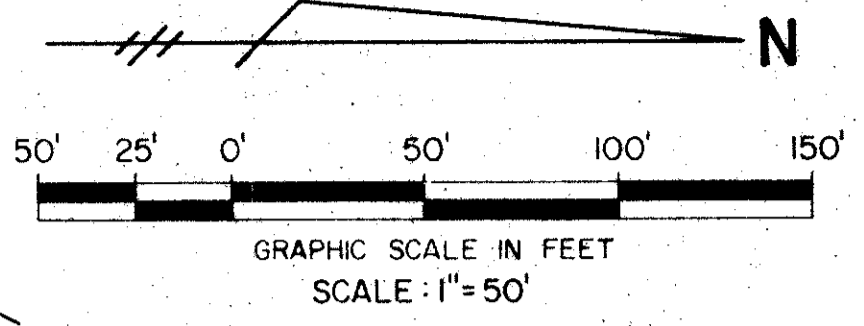


WINDWARD PALM BEACH (A P.U.D.)

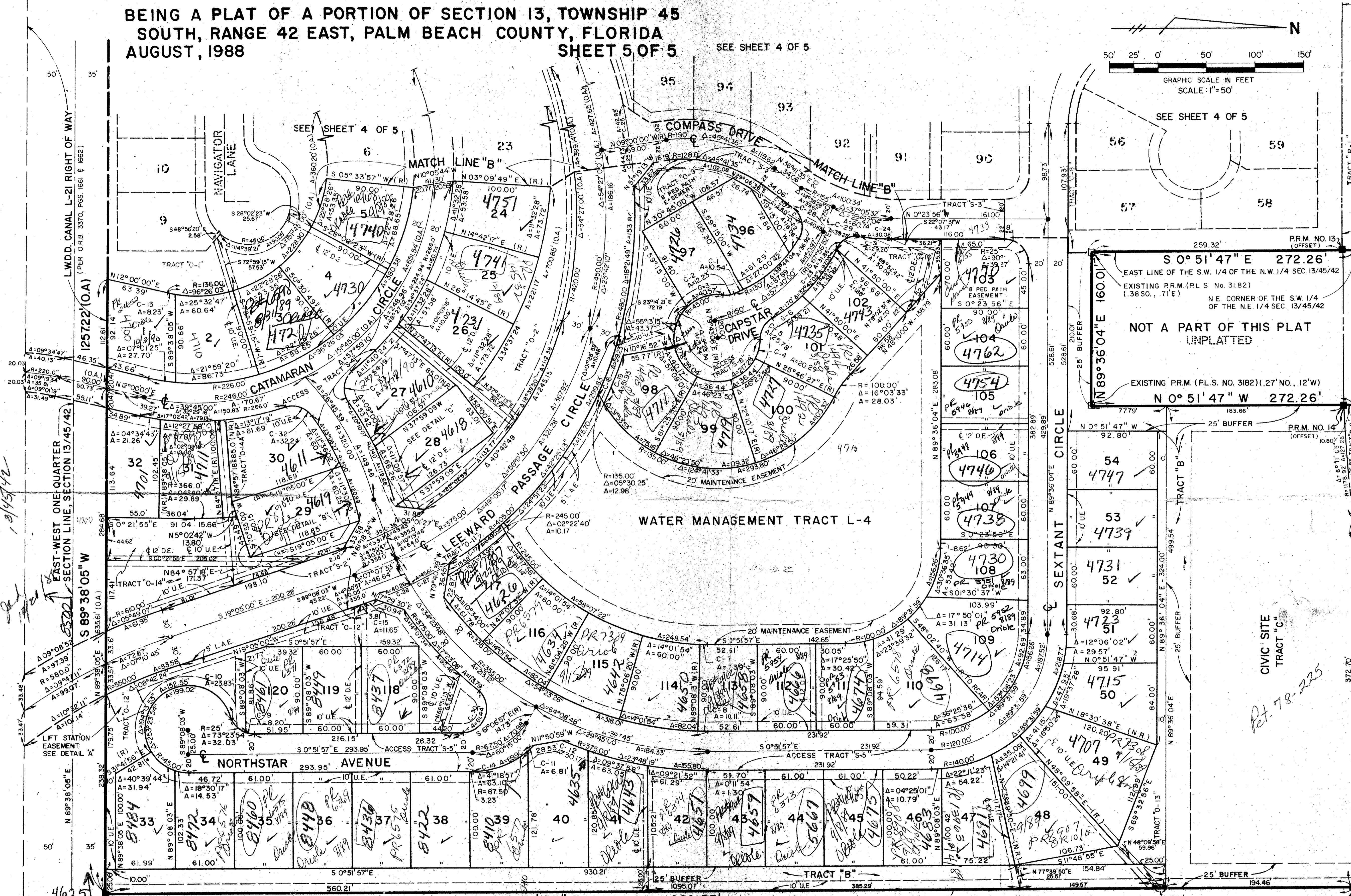
79

BEING A PLAT OF A PORTION OF SECTION 13, TOWNSHIP 45
SOUTH, RANGE 42 EAST, PALM BEACH COUNTY, FLORIDA
AUGUST, 1988

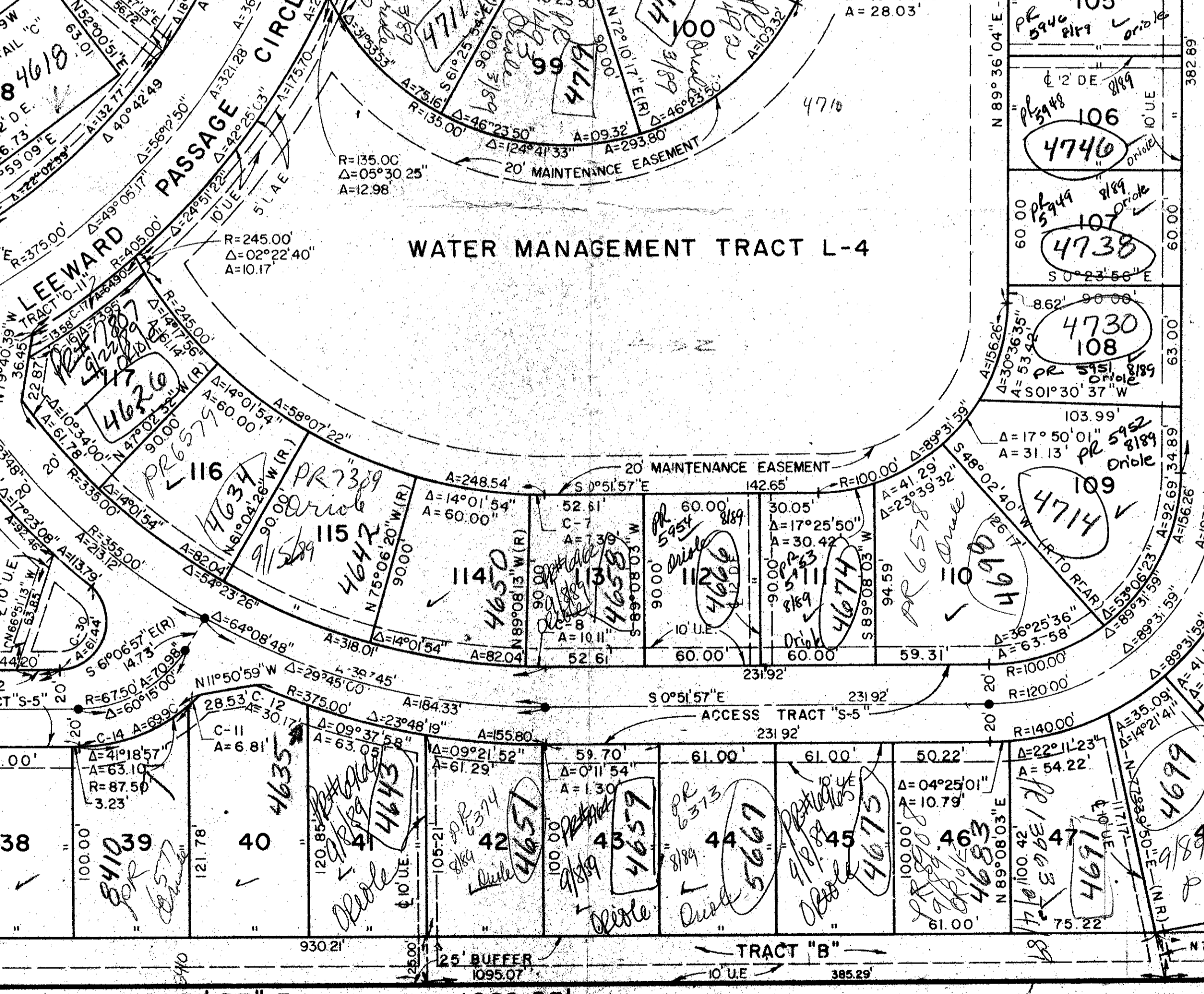
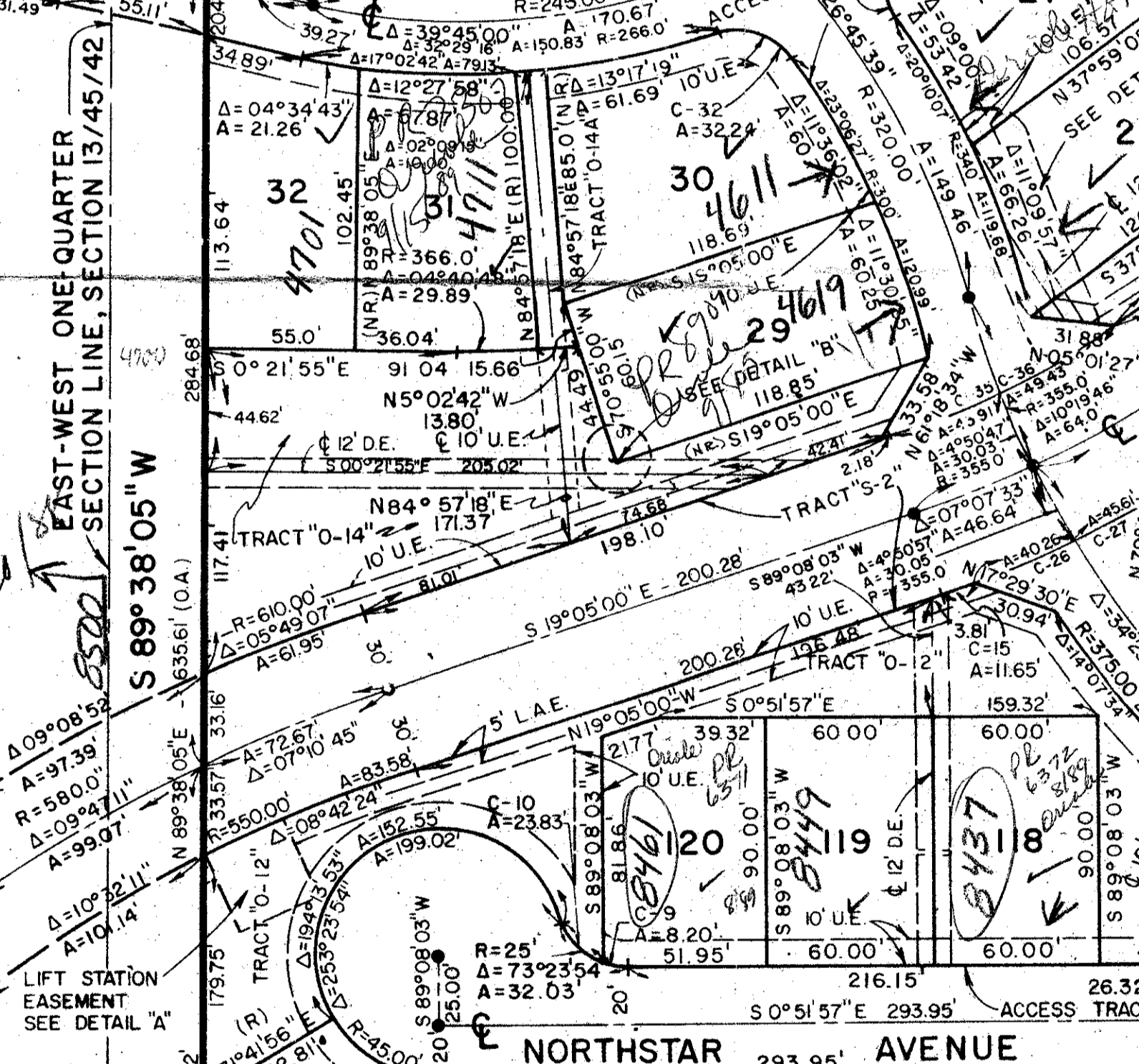
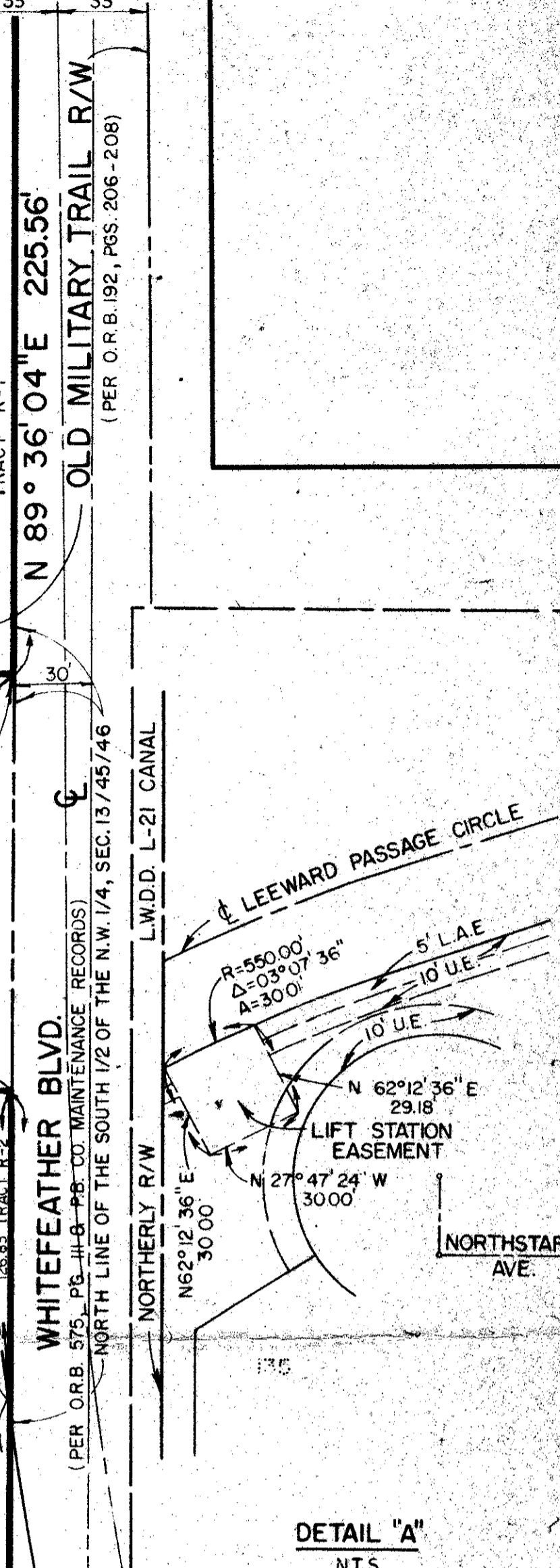
SHEET 5 OF 5 SEE SHEET 4 OF 5



Windward Palm Beach
61 B 79 190B
RS 78-225
33463
P.U.D.
1/3/5/7/2



NOT A PART OF THIS PLAT UNPLATTED
EXISTING P.R.M. (P.L.S. No. 3182) (.27" NO., .12" W)
N 0° 51' 47" W 272.26'
S 0° 51' 47" E 272.26'
EAST LINE OF THE S.W. 1/4 OF THE N.W. 1/4 SEC. 13/45/42
EXISTING P.R.M. (P.L.S. No. 3182) (.38 SO., .71" E)
N.E. CORNER OF THE S.W. 1/4 OF THE N.E. 1/4 SEC. 13/45/42



CURVE NO.	RADIUS	DELTA	ARC
C-1	130.00'	04°38'42"	10.54'
C-2	25.00'	28°02'09"	12.23'
C-3	45.00'	51°39'21"	40.57'
C-4	45.00'	25°49'47"	20.29'
C-5	25.00'	59°05'13"	25.78'
C-6	170.00'	12°52'36"	38.21'
C-7	245.00'	01°43'44"	7.39'
C-8	335.00'	01°43'44"	10.11'
C-9	25.00'	18°47'06"	8.20'
C-10	25.00'	54°36'48"	23.83'
C-11	87.50'	04°27'12"	6.81'
C-12	375.00'	04°36'34"	30.17'
C-13	136.00'	03°27'57"	8.23'
C-14	87.50'	45°46'23"	69.90'
C-15	405.00'	01°38'53"	11.65'
C-16	415.00'	10°12'33"	73.95'
C-17	405.00'	09°10'55"	64.90'
C-18	405.00'	08°22'46"	59.23'
C-19	415.00'	07°10'10"	51.93'
C-20	177.00'	01°29'18"	4.60'
C-21	25.00'	84°37'12"	36.92'
C-22	130.00'	07°04'40"	16.06'
C-23	25.00'	73°00'28"	31.86'
C-24	177.00'	09°44'14"	30.08'
C-25	480.00'	05°20'21"	44.73'
C-26	405.00'	05°41'43"	40.26'
C-27	405.00'	06°27'11"	45.61'
C-28	177.00'	13°09'10"	40.63'
C-29	177.00'	12°42'50"	40.48'
C-30	25.00'	140°48'18"	61.44'
C-31	177.00'	09°27'13"	29.20'
C-32	25.00'	73°53'11"	32.24'
C-33	25.00'	86°06'36"	34.71'
C-34	25.00'	04°07'14"	11.77'
C-35	345.00'	01°02'12"	59.44'

METRIC ENGINEERING INC. ENGINEERS - PLANNERS - SURVEYORS MIAMI - WEST PALM BEACH

W.L.F. G.D.

WINDWARD PALM BEACH SHEET 5 OF 5

APPROVED BY [Signature]

