

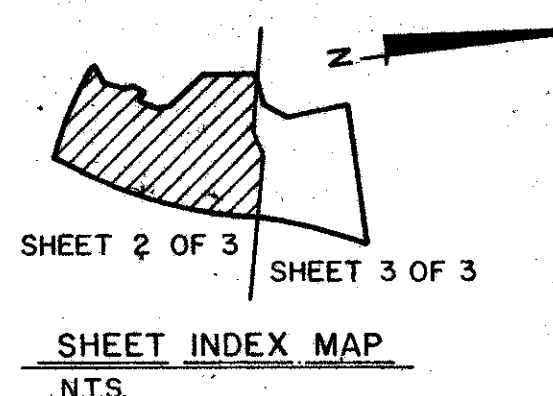
GRAND BAY

PART OF THE POLO CLUB P.U.D.

BEING A REPLAT OF A PORTION OF TRACT III, "THE POLO CLUB PLAT II" (P.B. 57 PGS. 46 - 49)
AND A REPLAT OF TRACT K, "HAMPTON COURT OF THE POLO CLUB" (P.B. 59 PGS. 31-32)
SITUATE IN SECTIONS 34 AND 35, TOWNSHIP 46 SOUTH, RANGE 42 EAST
PALM BEACH COUNTY, FLORIDA

MARCH, 1989

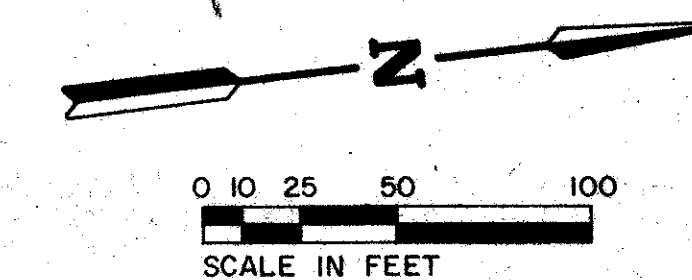
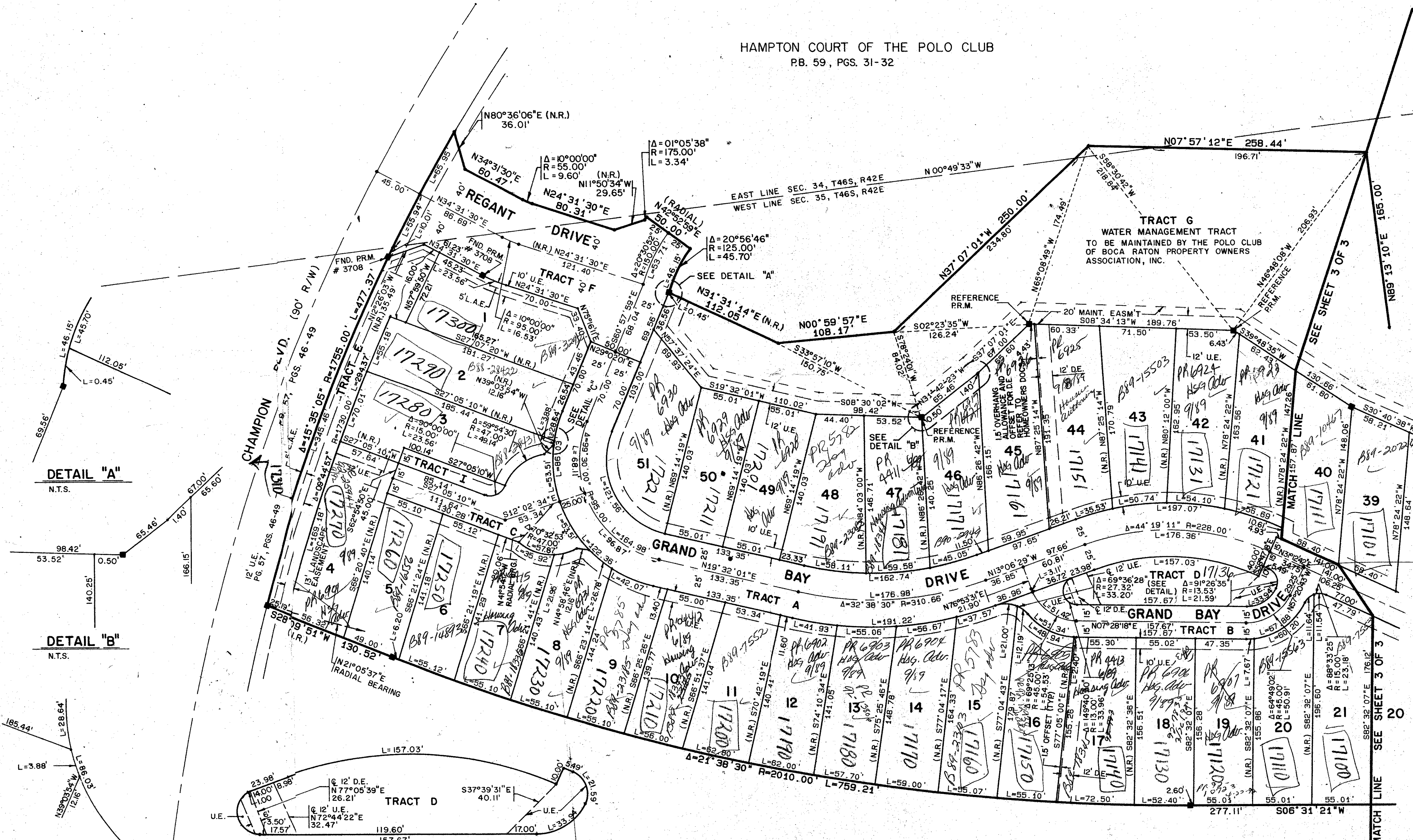
SHEET 2 OF 3



STATE OF FLORIDA
COUNTY OF PALM BEACH
THIS PLAT WAS FILED FOR
RECORD THIS DAY OF
AD, 1989 AND DULY RECORDED
IN PLAT BOOK ON PAGES
AND
JOHN B. DUNKLE, CLERK
BY: _____, D.C.

CIRCUIT COURT SEAL

HAMPTON COURT OF THE POLO CLUB
PB. 59, PGS. 31-32

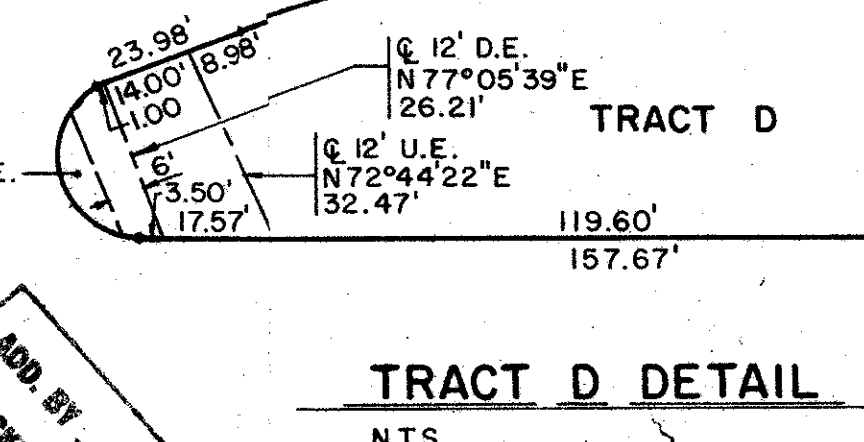


SUBDIVISION: Grand Bay
BOOK: 62
PAGE: 131
FLOOD MAP: 2154
QUAD: 37
ZIP CODE: 33434
PUD NAME: Polo Club PUD

DETAIL "A"
N.T.S.

DETAIL "B"
N.T.S.

DETAIL "C"
N.T.S.



THE POLO CLUB OPEN SPACE PLAT FOUR
PB. 59, PGS. 8-12

given per B. Thomas
7/17/89 for site
lighting (14 lamp
posts)

Pt-84-71
0436-023

62/131

STANLEY/WANTMAN, INC.
2000 LOMBARD STREET, WEST PALM BEACH, FL 33407 (407) 842-7444

DRAWN	J.C.F.	DATE	DEC., 1988
CHECKED	R.B.P.	SCALE	1"=50'
DRAWING NO.	09853PL	GRAND BAY A PART OF THE POLO CLUB.	

ORIGINAL TO COUNTY FOR RECORDING 3/22/89