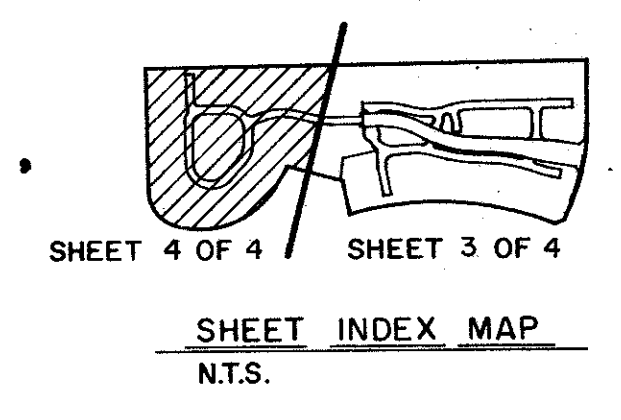


GRAYCLIFFS

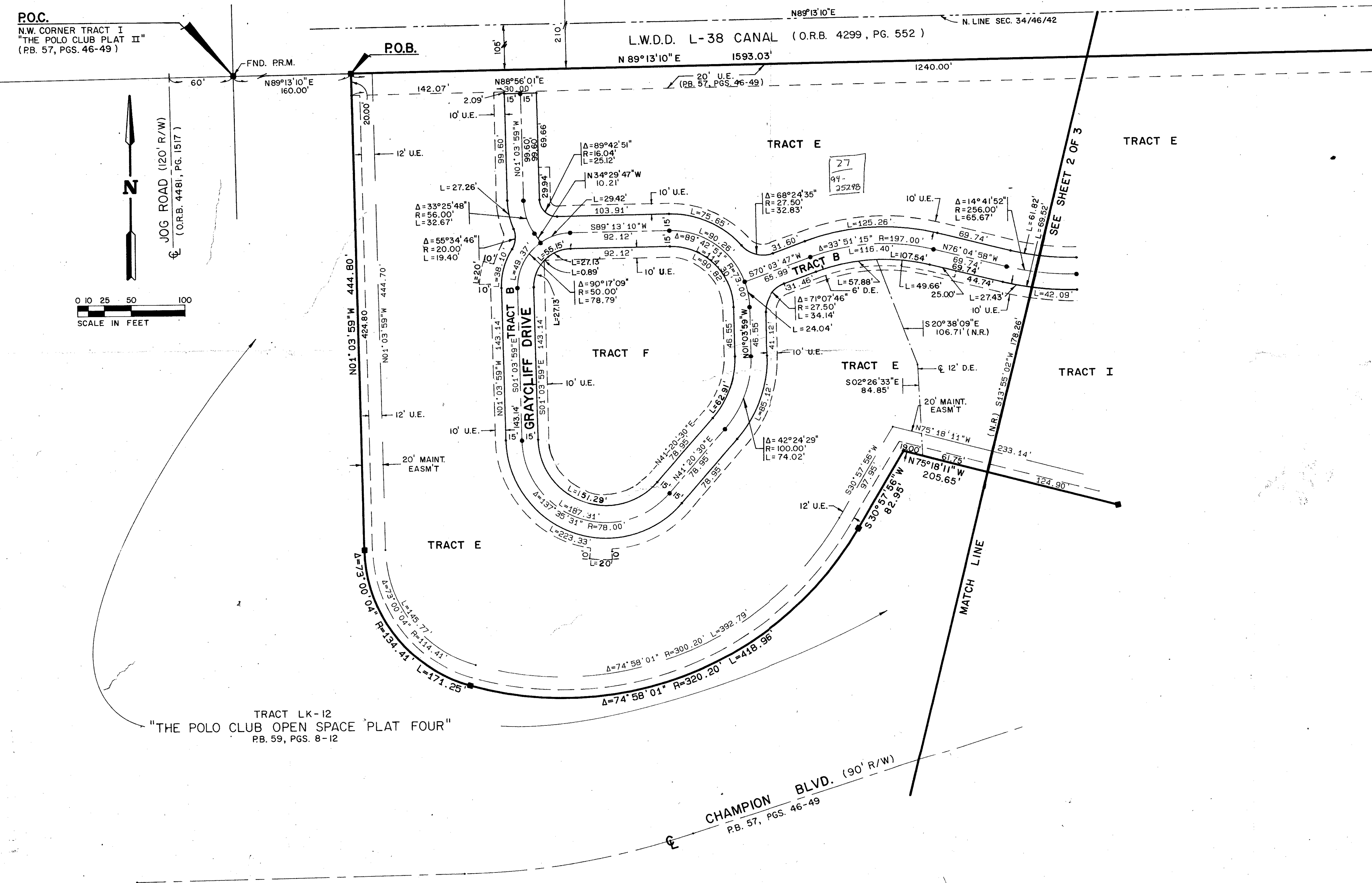
A PART OF THE POLO CLUB P.U.D.
 BEING A REPLAT OF A PORTION OF TRACT I, "THE POLO CLUB PLAT II" (P.B. 57 PGS. 46-49), AND
 A REPLAT OF A PORTION OF TRACT LK 12, "THE POLO CLUB OPEN SPACE PLAT FOUR" (P.B. 59 PGS. 8-12),
 SITUATE IN SECTION 34, TOWNSHIP 46 SOUTH, RANGE 42 EAST
 PALM BEACH COUNTY, FLORIDA

MARCH, 1989

SHEET 4 OF 4



STATE OF FLORIDA
 COUNTY OF PALM BEACH
 THIS PLAT WAS FILED FOR
 RECORD _____ DAY OF _____
 AD, 1989 AND DULY RECORDED
 IN PLAT BOOK _____ ON PAGES
 AND _____
 JOHN B. DUNKLE, CLERK
 BY: _____, D.C.



SUBDIVISION # *Graycliffs*
 BOOK *03*
 FLOOD ZONE *B*
 QUAD #
 PUD NAME *TAZ 602*

PAGE *62*
 FLOOD MAP # *215A*
 ZONING PTS *84-71*
 ZIP CODE *33434*
 TAZ *602*

TRACT LK-12
 "THE POLO CLUB OPEN SPACE PLAT FOUR"
 P.B. 59, PGS. 8-12

0436-017

63/62

STANLEY/WANTMAN, INC.
 2000 LOMBARD STREET, WEST PALM BEACH, FL 33407 (407) 842-7444

DRAWN	J.C.F.	DATE	NOV. 1988
CHECKED	R.B.P.	SCALE	1" = 50'
DRAWING NO.	09908PL		

GRAYCLIFFS
 PART OF
 THE POLO CLUB P.U.D.