

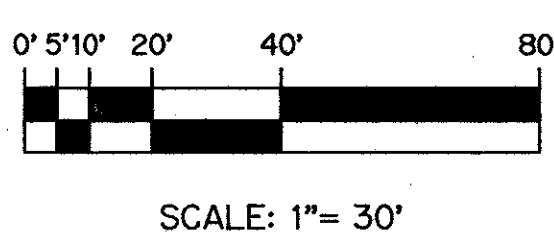
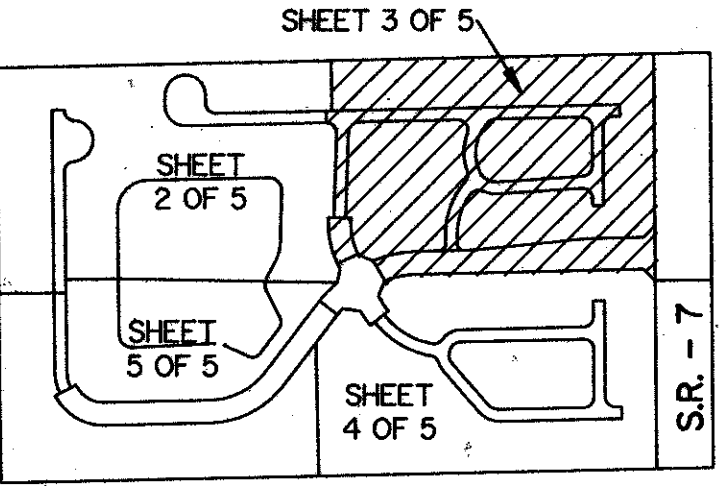
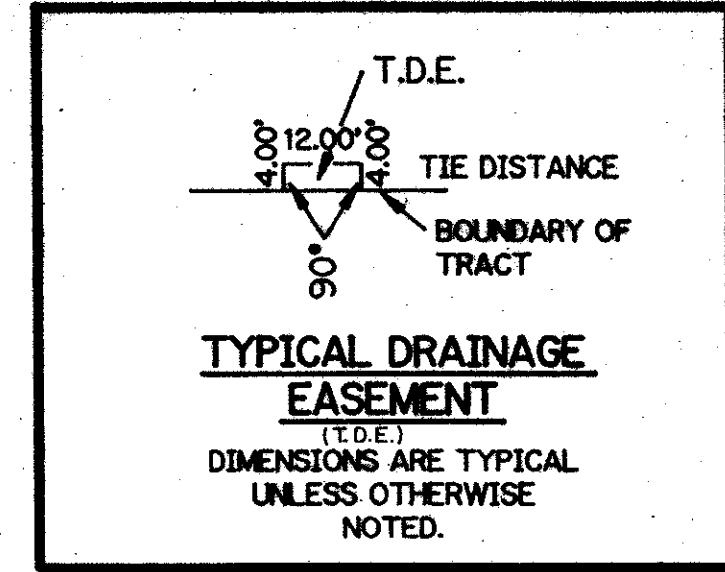
(A P.U.D.)

ALLEGRO REPLAT

BEING A REPLAT OF THE PLAT OF ALLEGRO AS RECORDED IN PLAT BOOK 60, PAGES 3 THROUGH 7 INCLUSIVE, OF THE PUBLIC RECORDS OF PALM BEACH COUNTY, FLORIDA. SECTION 25, TOWNSHIP 47 SOUTH, RANGE 41 EAST PALM BEACH COUNTY, FLORIDA

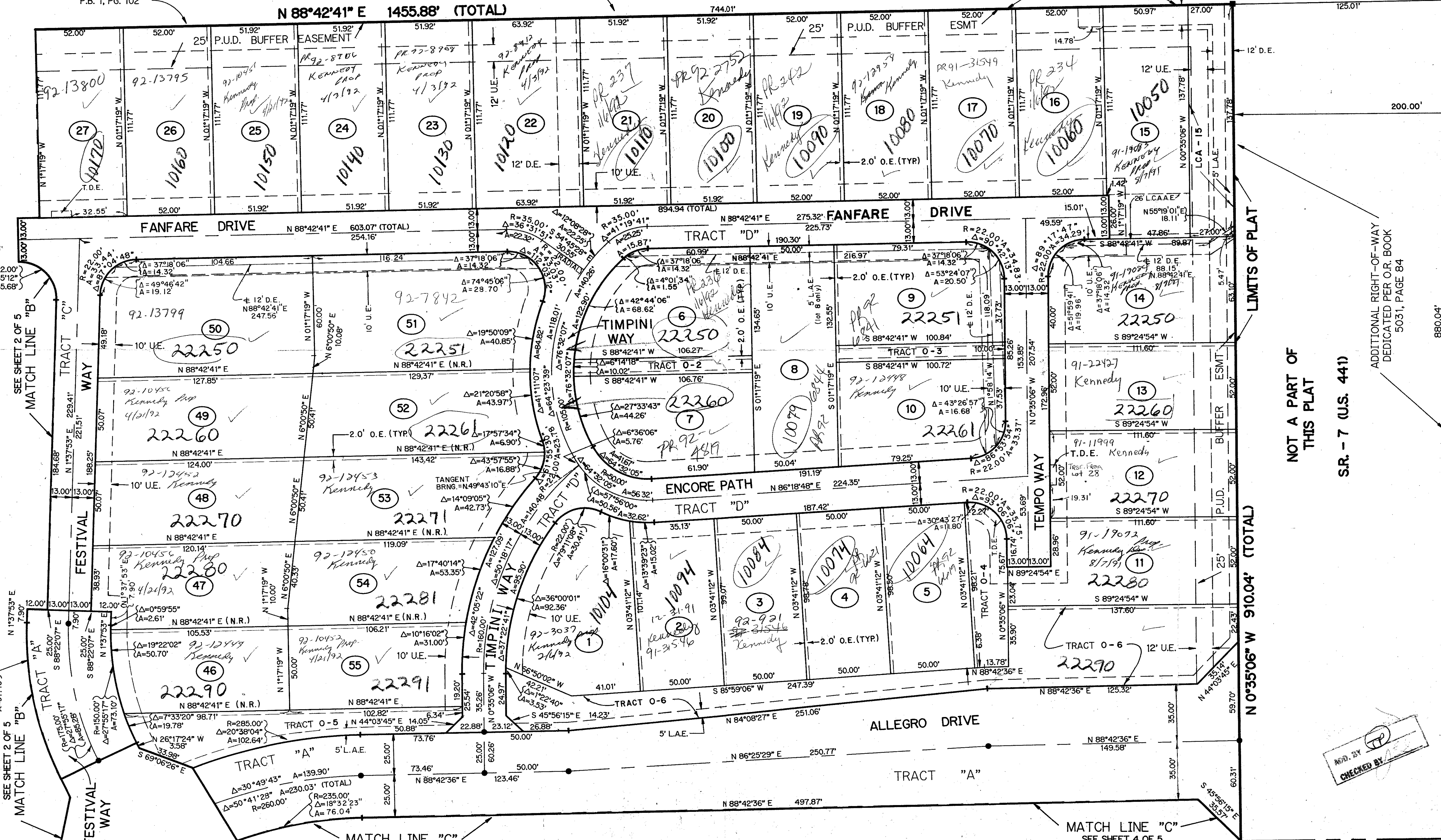
SHEET 3 OF 5

FEBRUARY, 1989



LOT 6 OF FLORIDA FRUIT LANDS SUBDIVISION NO. 2 P.B. 1, PG. 102

LOT 6 OF FLORIDA FRUIT LANDS SUBDIVISION NO. 2 P.B. 1, PG. 102



SUBDIVISION * Allegro Replat
BOOK 63, PAGE 194
FLOOD ZONE AU, FLOOD MAP # 1006
QUAD # 69, ZONINGS BS-170
TAX. 781, ZIP CODE 33488
P.O. Box Allegro Replat, FL

NOT A PART OF THIS PLAT
S.R. - 7 (U.S. 441)
ADDITIONAL RIGHT-OF-WAY DEDICATED PER O.R. BOOK 5031, PAGE 84

S.R. - 7 (U.S. 441)
WEST LINE OF SECTION 30-47-42
N 0°31'16" W 5481.04'

THIS INSTRUMENT PREPARED BY
PERRY C. WHITE P.L.S. 4213 STATE OF FLORIDA
LAWSON, NOBLE AND ASSOCIATES, INC.
ENGINEERS PLANNERS TESTING SURVEYORS
BOYNTON BEACH, FLORIDA

ALLEGRO REPLAT 63/194

0525-002
Pet. 85-170
collect
SHEET 3 OF 5

NOTE:
SEE SHEET 4 OF 5 FOR TIE TO SECTION CORNER
FND. P.B. CO. BRASS DISC IN CONC.