

(A P.U.D.)

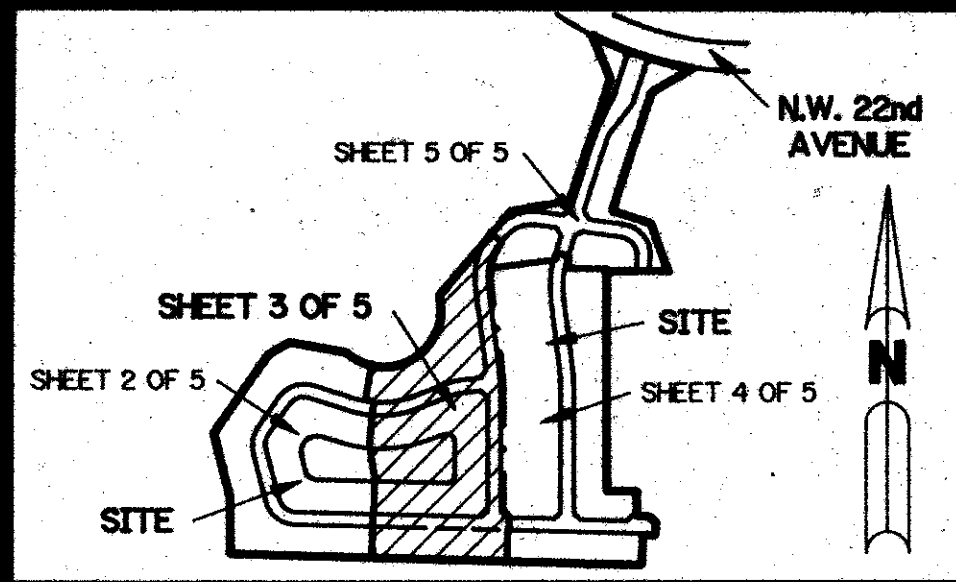
316-009

RAINBOW LAKES - TRACT "B" - PHASE ONE 174

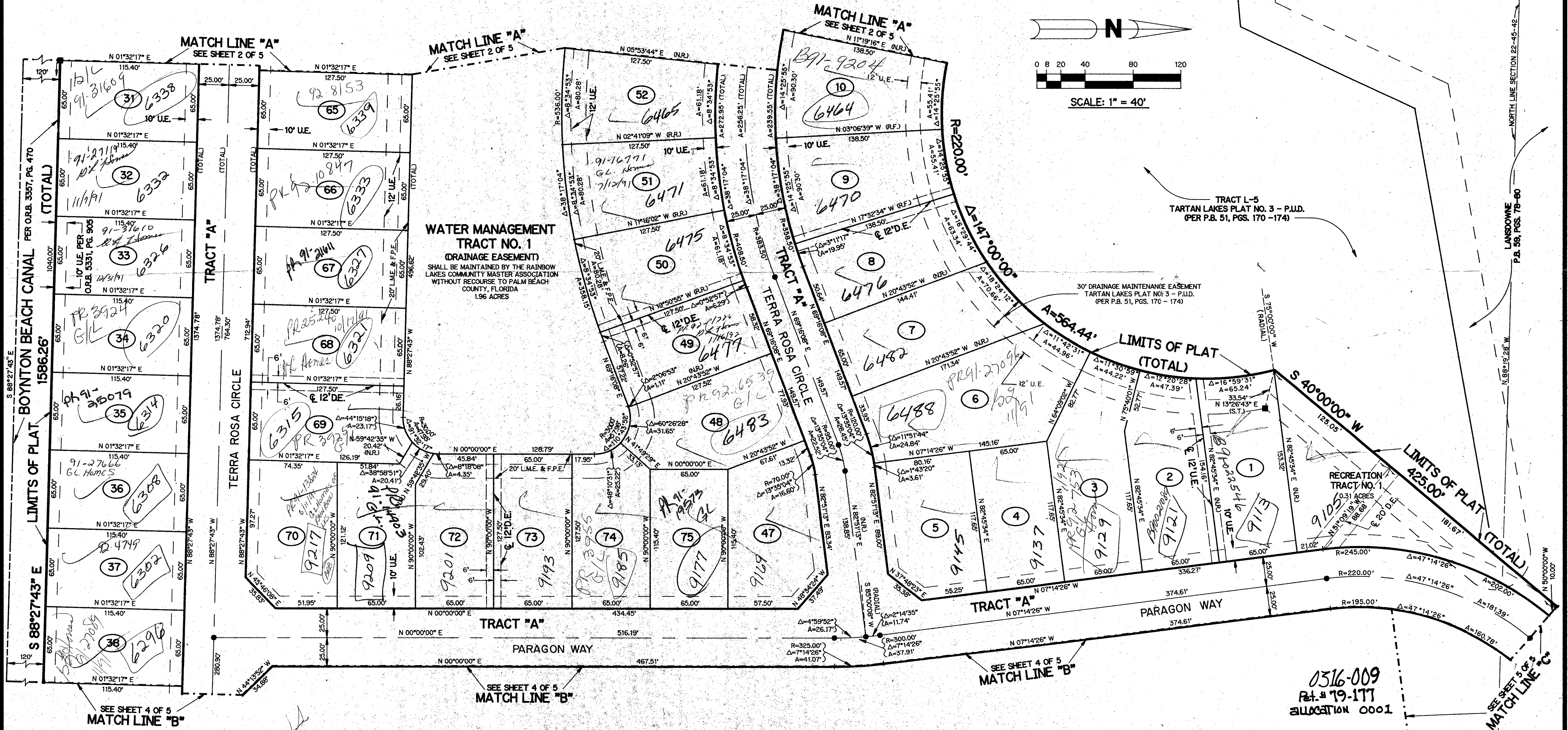
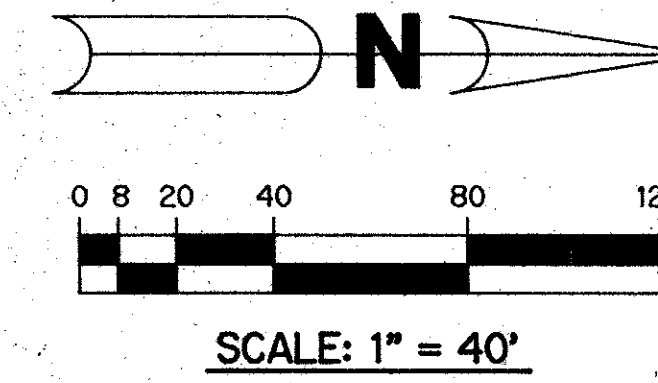
A REPLAT OF A PORTION OF TRACT "B" ACCORDING TO THE PLAT OF TARTAN LAKES PLAT NO. 3 - P.U.D. AS RECORDED IN PLAT BOOK 51, PAGES 170 THROUGH 174, INCLUSIVE, OF THE PUBLIC RECORDS OF PALM BEACH COUNTY, FLORIDA. SECTIONS 15 AND 22, TOWNSHIP 45 SOUTH, RANGE 42 EAST

SHEET 3 OF 5

MARCH, 1990



KEY MAP
N.T.S.



TAL 411

BOOK 51
PAGE 174
FLOOD ZONE B
ROAD # 34.55
ZONING RT
ZIP CODE 33457
DATE 11-11-77
FUND NAME SOURCE
15.22 115.72

THIS INSTRUMENT PREPARED BY
PERRY C. WHITE P.L.S. 4213 STATE OF FLORIDA
LAWSON, NOBLE AND ASSOCIATES, INC.
ENGINEERS PLANNERS SURVEYORS
WEST PALM BEACH, FLORIDA

0316-009
P.L.# 79-177
ALLOCATION 0001

67/174