

THIS INSTRUMENT PREPARED BY
CARNAHAN AND ASSOCIATES, INC.
 CONSULTING ENGINEERS
 ENGINEERS SURVEYORS PLANNERS
 6191 WEST ATLANTIC BLVD. MARGATE, FLORIDA 33063
 SEPT. 1992 870606R JSH

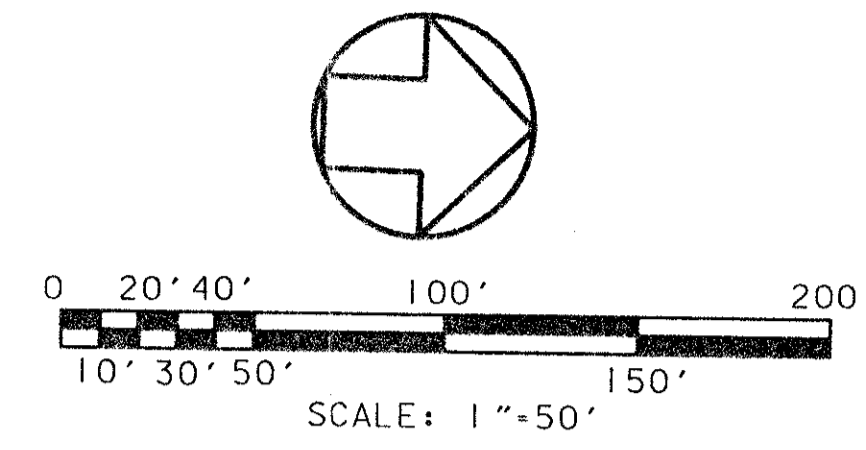
BOCA ISLES WEST PHASE 2A-1

A PORTION OF SECTION 12, TOWNSHIP 47 SOUTH, RANGE 41 EAST, LYING IN PALM BEACH COUNTY, FLORIDA

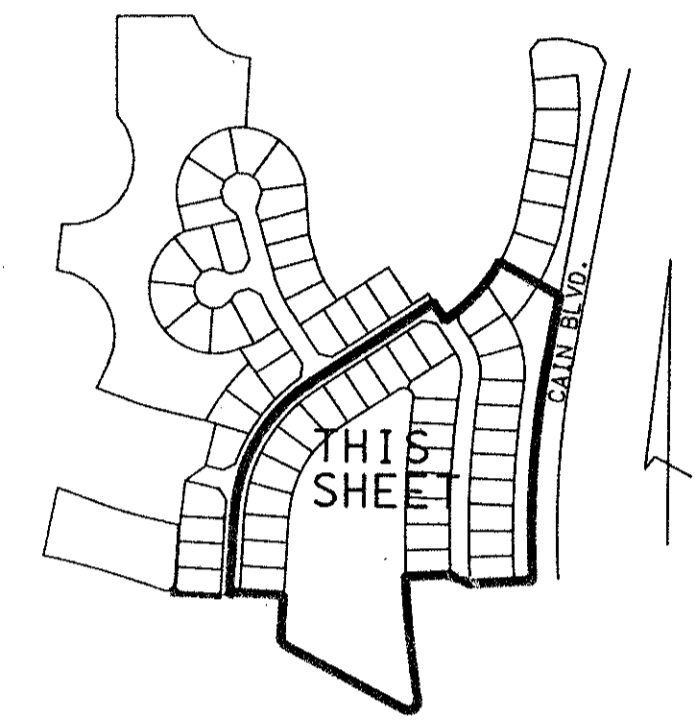
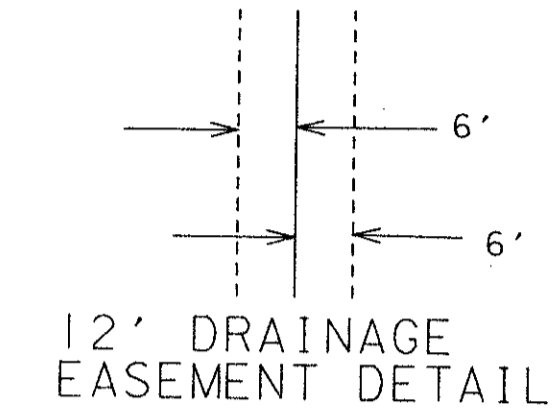
PALM BEACH COUNTY, FLORIDA

112

STATE OF FLORIDA
 COUNTY OF PALM BEACH
 THIS PLAT WAS FILED FOR
 RECORD AT
 THIS DAY OF
 A.D., 1992 AND DULY RECORDED
 IN PLAT BOOK ON PAGES
 THROUGH
 DOROTHY H. WILKEN, CLERK
 BY: _____ OC

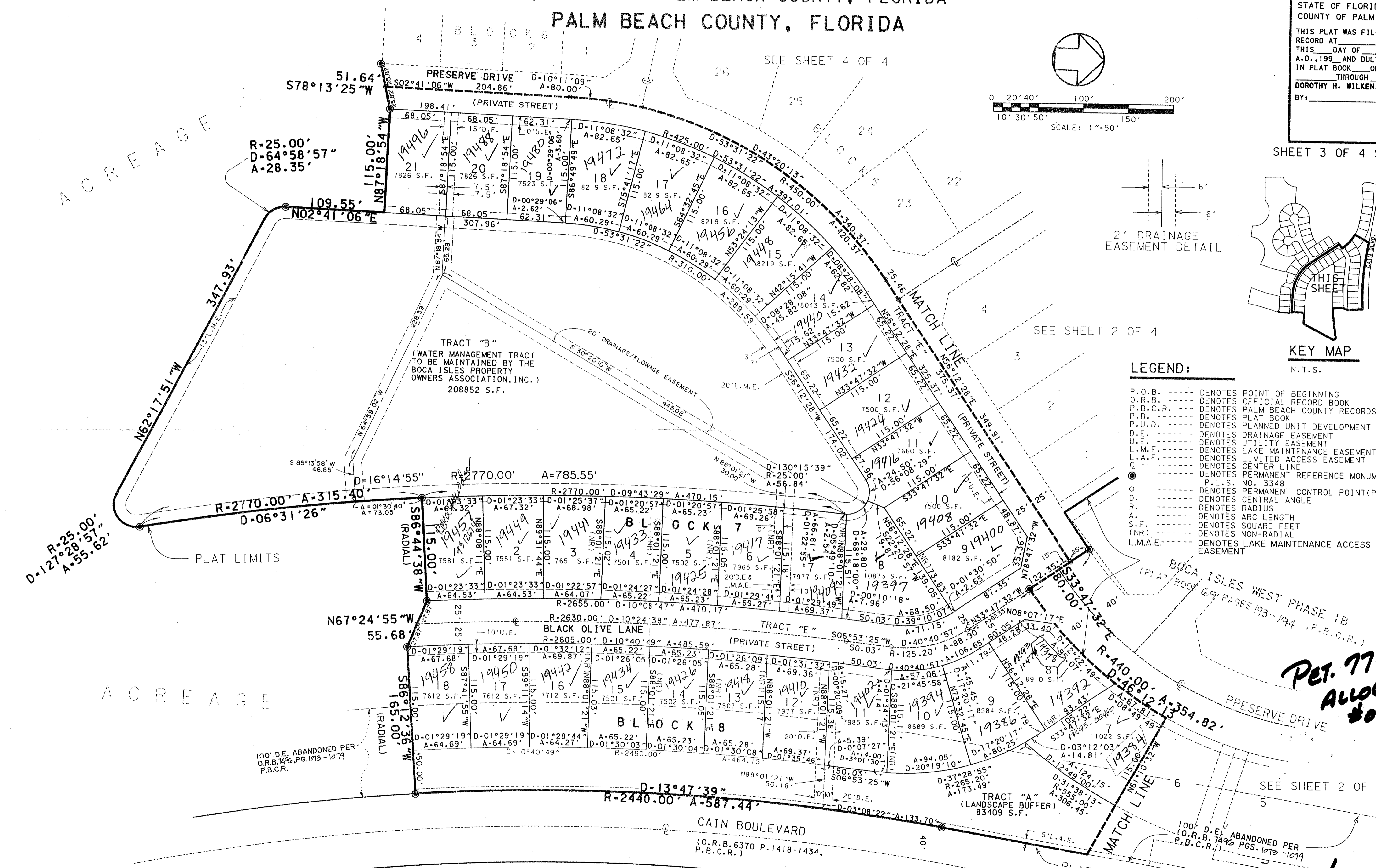


SHEET 3 OF 4 SHEETS



LEGEND:

- P.O.B. --- DENOTES POINT OF BEGINNING
- O.R.B. --- DENOTES OFFICIAL RECORD BOOK
- P.B.C.R. --- DENOTES PALM BEACH COUNTY RECORDS
- P.B. --- DENOTES PLAT BOOK
- P.U.D. --- DENOTES PLANNED UNIT DEVELOPMENT
- D.E. --- DENOTES DRAINAGE EASEMENT
- U.E. --- DENOTES UTILITY EASEMENT
- L.M.E. --- DENOTES LAKE MAINTENANCE EASEMENT
- L.A.E. --- DENOTES LIMITED ACCESS EASEMENT
- CL --- DENOTES CENTER LINE
- PM --- DENOTES PERMANENT REFERENCE MONUMENT
- P.L.S. NO. 3348 --- DENOTES PERMANENT CONTROL POINT (P.C.P.)
- D. --- DENOTES CENTRAL ANGLE
- R. --- DENOTES RADIUS
- A. --- DENOTES ARC LENGTH
- S.F. --- DENOTES SQUARE FEET
- (NR) --- DENOTES NON-RADIAL
- L.M.A.E. --- DENOTES LAKE MAINTENANCE ACCESS EASEMENT



SUBDIVISION # BOCA ISLES WEST PHASE 2A-1
 BOOK 7D PAGE 112
 FLOOD MAP # 100B
 ZONING RTS
 QUAD # 68
 SE
 ZIP CODE 33498
 PUD NAME BOCA GREENS PUD
 12/17/14

*Pet. 77-131
 Alloc.
 \$0001*

*70/112
 BOCA ISLES WEST PHASE 2A-1 0208-011*

BOCA GREENS NO. 6
 (PLAT BOOK 45 PAGES 91392,
 P.B.C.R.)

T&Z = 881