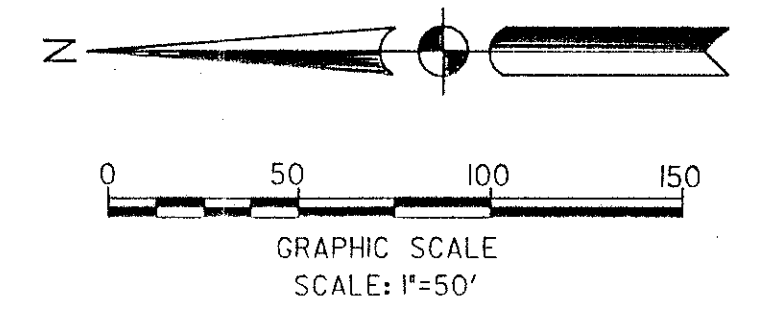
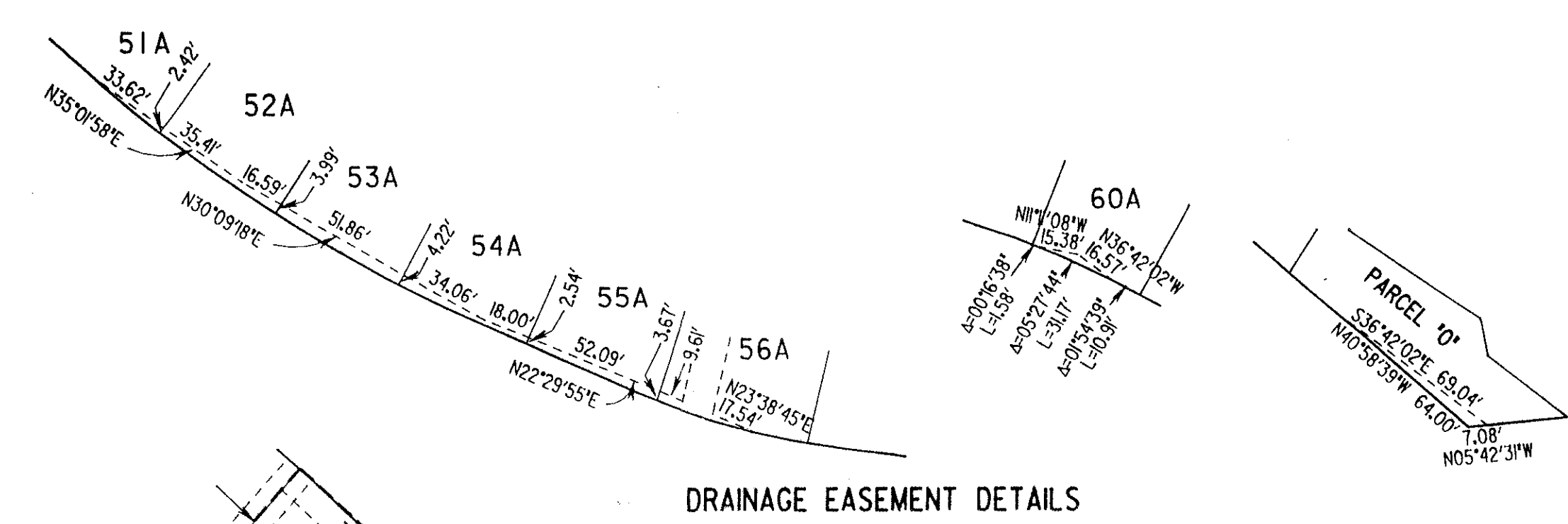
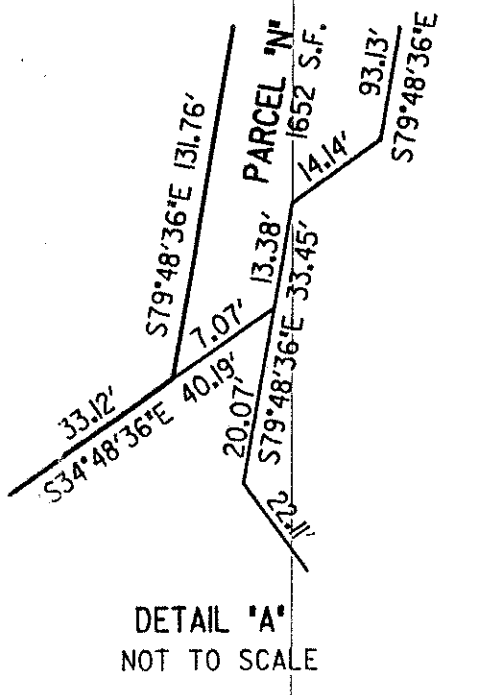
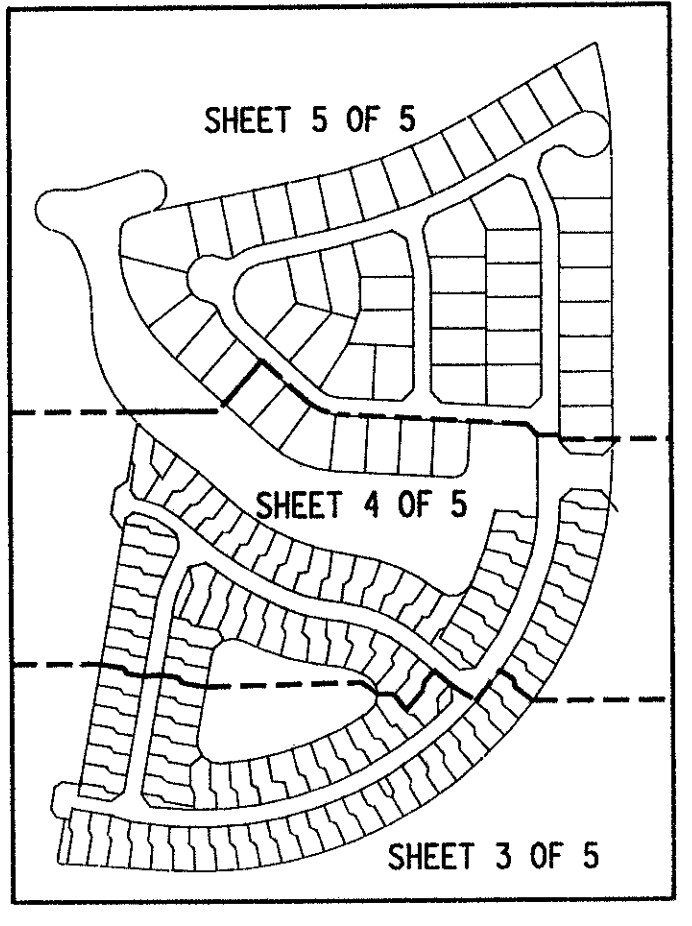


WINSTON TRAILS PARCEL NINE

PART OF A P.U.D.
LYING IN SECTIONS 2 AND 3, TOWNSHIP 45 SOUTH, RANGE 42 EAST,
PALM BEACH COUNTY, FLORIDA.

PREPARED BY:
JON P. WEBER IN THE OFFICES OF
KEITH AND SCHNARS, P.A.
ENGINEERS - PLANNERS - SURVEYORS
6500 NORTH ANDREWS AVENUE
FORT LAUDERDALE, FLORIDA 33309
(305) 776-1616
SEPTEMBER 1992
DWG. NO. P2997U:4162UPL3.DGN

STATE OF FLORIDA
COUNTY OF PALM BEACH
THIS PLAT WAS FILED FOR RECORD
AT _____ M, THIS _____ DAY
OF _____ 1999, AND DULY
RECORDED IN PLAT BOOK NO. _____
ON PAGES _____ THRU _____
DOROTHY H. WILKEN
CLERK OF THE CIRCUIT COURT
BY: _____ D.C.

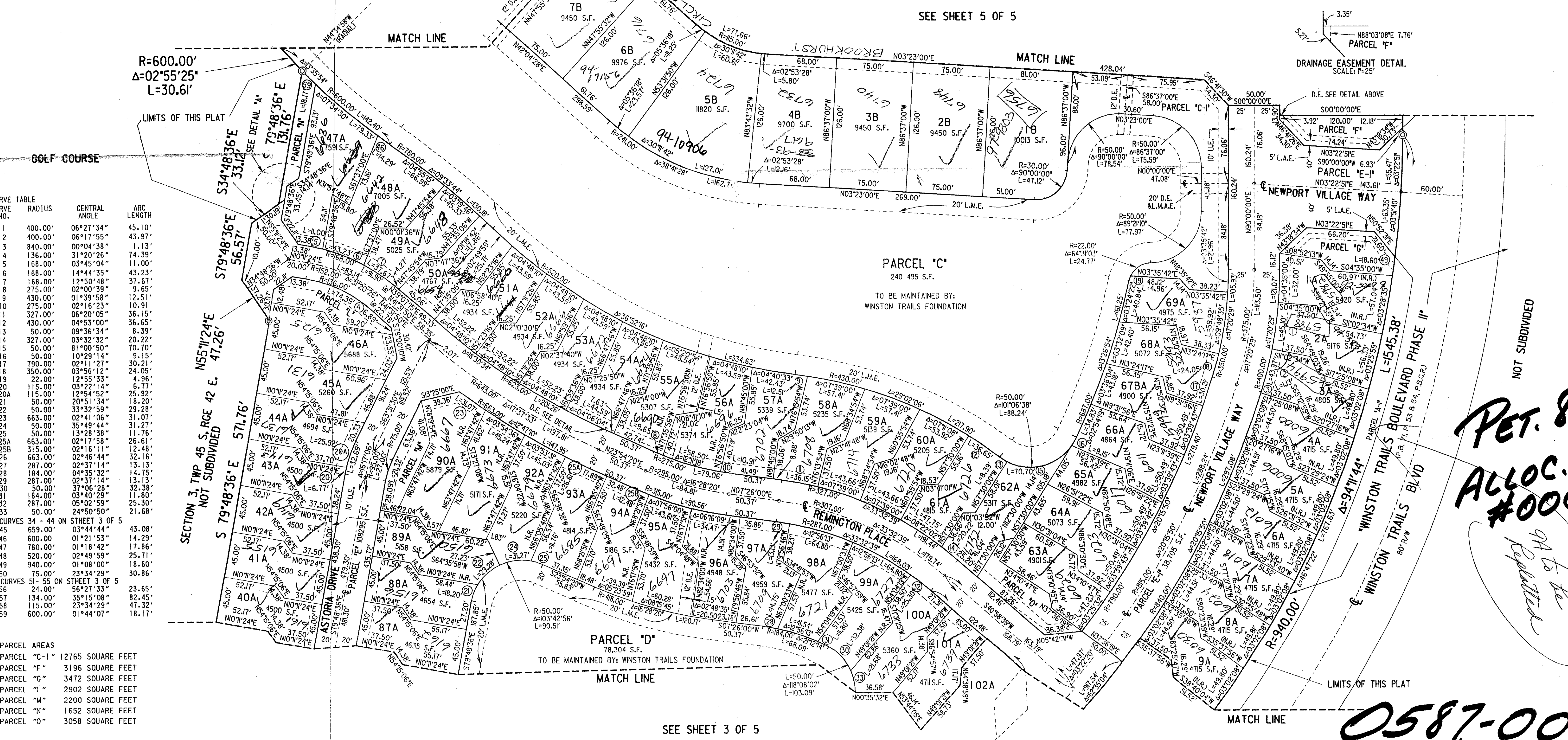


NOTICE

THERE MAY BE ADDITIONAL RESTRICTIONS THAT
ARE NOT RECORDED ON THIS PLAT THAT MAY BE
FOUND IN THE PUBLIC RECORDS OF THIS COUNTY.

SEE SHEET 5 OF 5

SEE SHEET 5 OF 5



CURVE NO.	RADIUS	CENTRAL ANGLE	ARC LENGTH
1	400.00'	06°27'34"	45.10'
2	400.00'	06°17'55"	43.97'
3	840.00'	00°04'38"	1.13'
4	136.00'	31°20'26"	74.39'
5	168.00'	03°45'04"	11.00'
6	168.00'	14°44'35"	43.23'
7	168.00'	12°50'48"	37.67'
8	275.00'	02°00'39"	9.65'
9	430.00'	01°39'58"	12.51'
10	275.00'	02°16'23"	10.91'
11	327.00'	06°20'05"	36.15'
12	430.00'	04°53'00"	36.65'
13	50.00'	09°36'34"	8.39'
14	327.00'	03°32'32"	20.22'
15	50.00'	81°00'50"	70.70'
16	50.00'	10°29'14"	9.15'
17	790.00'	02°11'27"	30.21'
18	350.00'	03°56'12"	24.05'
19	22.00'	12°55'33"	4.76'
20	115.00'	03°22'14"	6.77'
21	50.00'	20°51'34"	18.20'
22	50.00'	33°32'59"	29.28'
23	663.00'	02°41'06"	31.07'
24	50.00'	35°49'44"	31.27'
25	50.00'	13°28'38"	11.76'
26	663.00'	02°17'58"	26.61'
27	315.00'	02°16'11"	12.48'
28	663.00'	02°46'44"	32.16'
29	287.00'	02°37'14"	13.17'
30	184.00'	04°35'32"	14.75'
31	287.00'	02°37'14"	13.13'
32	50.00'	03°06'28"	32.38'
33	184.00'	03°40'29"	11.80'
34	287.00'	05°02'59"	25.30'
35	50.00'	24°50'50"	21.68'
36	50.00'	23°34'29"	30.86'
37	659.00'	03°44'44"	43.08'
38	600.00'	01°21'53"	14.29'
39	780.00'	01°18'42"	17.86'
40	520.00'	02°49'59"	25.71'
41	940.00'	01°08'00"	18.60'
42	75.00'	23°34'29"	30.86'
43	52.17'	24.00'	23.65'
44	134.00'	35°15'08"	82.45'
45	115.00'	23°34'29"	47.32'
46	600.00'	01°44'07"	18.17'

SUBDIVISION *PARCEL 9 WINSTON TRAILS
BOOK 71 PAGE 141 FLOOD MAP #170A
FLOOD ZONE B ZONING RTS
QUAD # 34
SE 87-112 ZIP CODE 33463
PUD NAME WINSTON TRAILS

PARCEL AREAS
PARCEL "C-1" 12765 SQUARE FEET
PARCEL "C" 3196 SQUARE FEET
PARCEL "G" 3472 SQUARE FEET
PARCEL "L" 2902 SQUARE FEET
PARCEL "M" 2200 SQUARE FEET
PARCEL "N" 1652 SQUARE FEET
PARCEL "O" 3058 SQUARE FEET

PET. 87-112
ALLOC. #0001
9A to be replatted

0587-006

WINSTON TRAILS PARCEL NINE 7/1/44