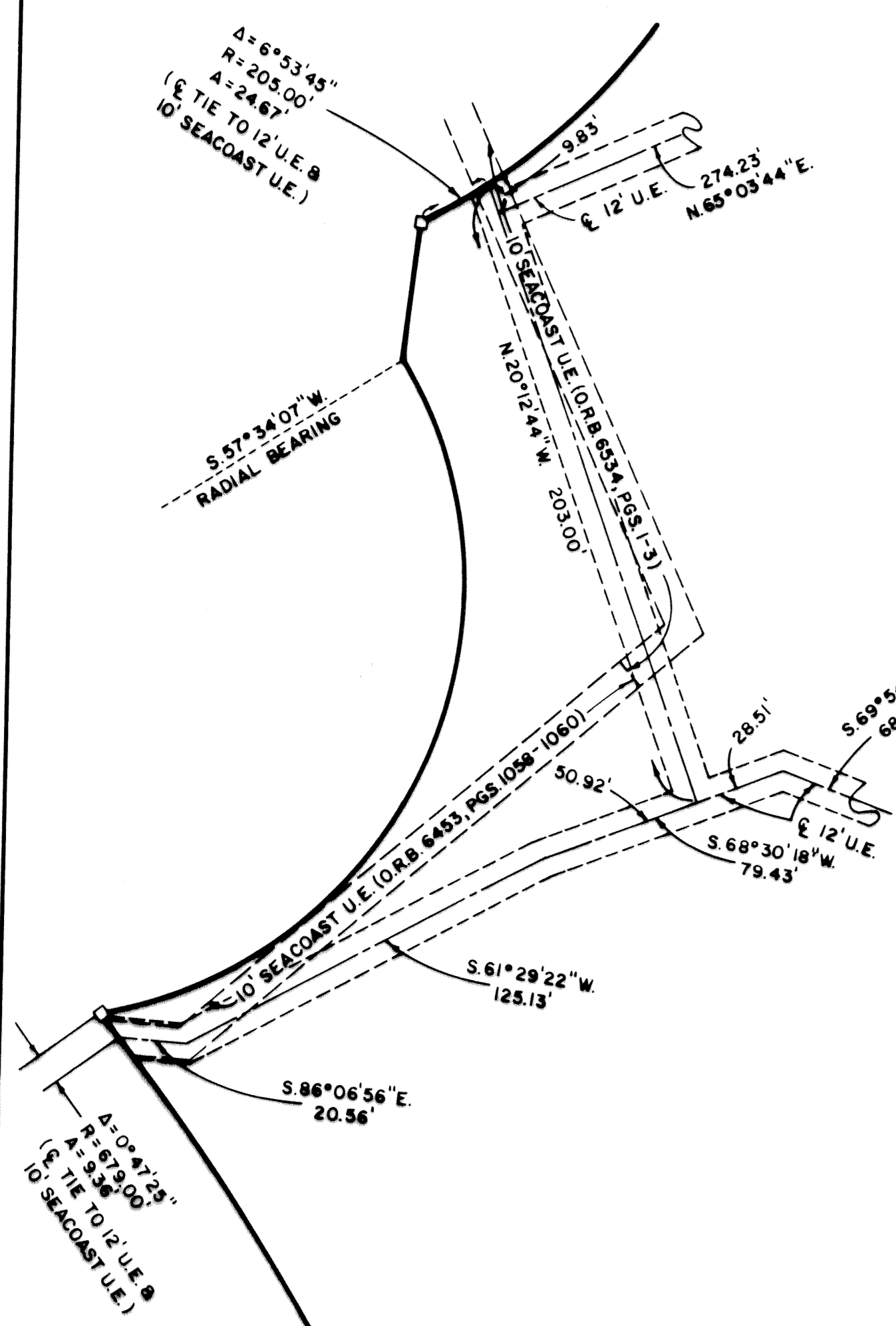
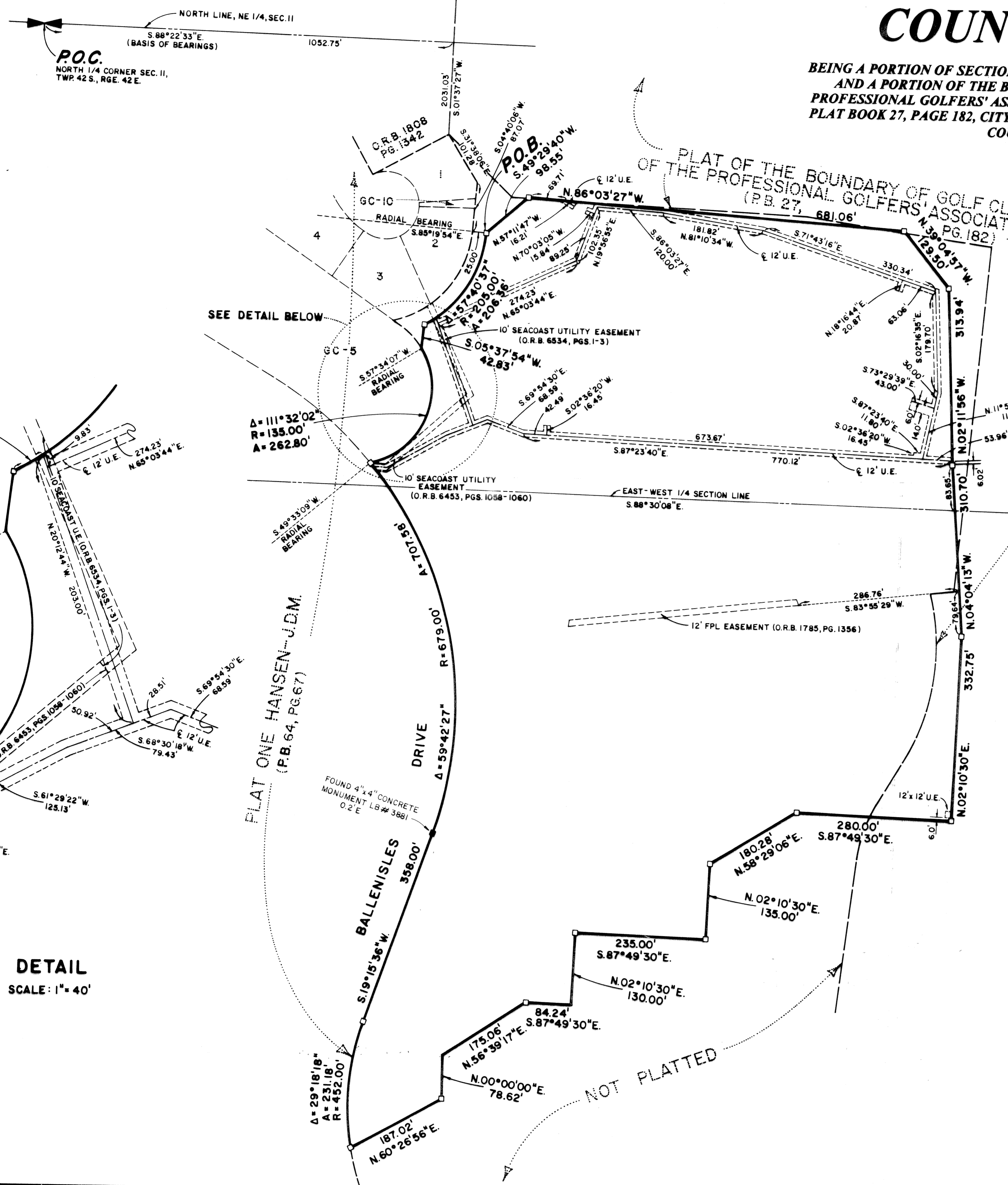


PLAT OF BALLENISLES COUNTRY CLUB

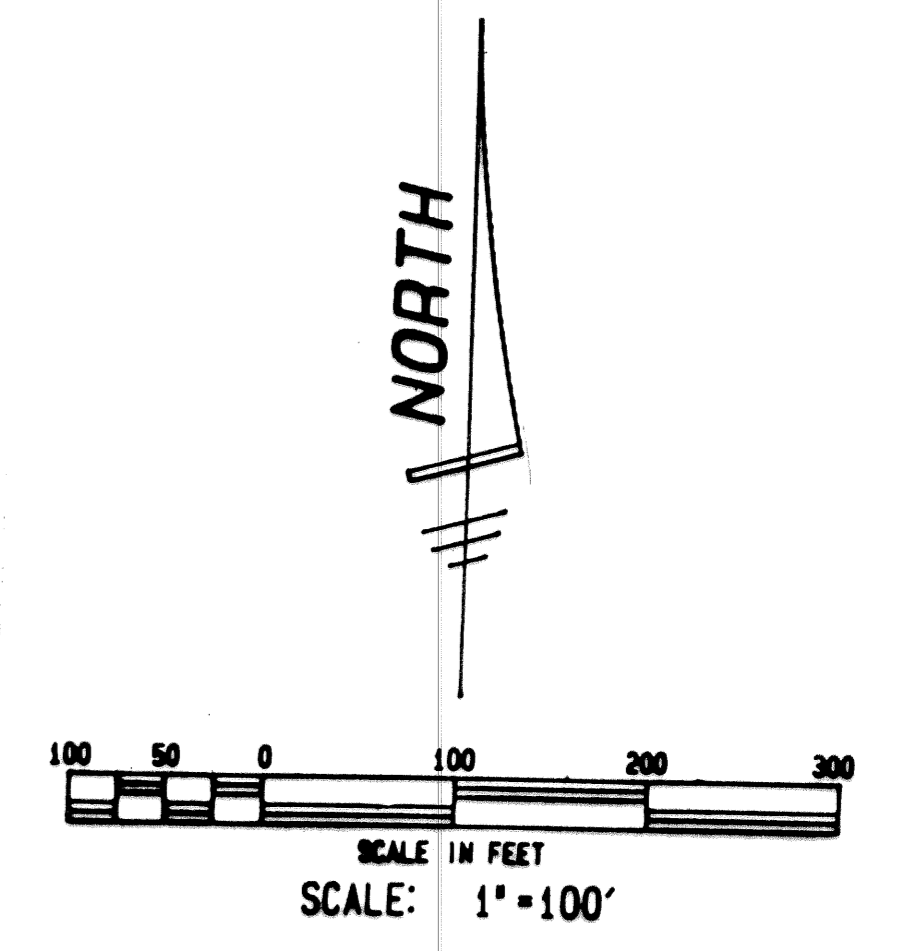
BEING A PORTION OF SECTION 11, TOWNSHIP 42 SOUTH, RANGE 42 EAST,
AND A PORTION OF THE BOUNDARY OF GOLF CLUB SITE OF THE
PROFESSIONAL GOLFERS' ASSOCIATION OF AMERICA AS RECORDED IN
PLAT BOOK 27, PAGE 182, CITY OF PALM BEACH GARDENS, PALM BEACH
COUNTY, FLORIDA.

MAY 1994

SHEET 2 OF 2



DETAIL
SCALE: 1" = 40'



SUPERVISOR - Ballenises CC
 BOOK 72 PAGE 159
 FLOOD MAP * -
 FLOOD ZONE
 CHAS 28 -
 SE -
 PUD 111 - C/McGowan - IAZ 95

PLAT ONE HANSEN - J.D.M.
(P.B. 64, PG. 67)

NOT PLATTED

PLAT OF		
BALLENISLES COUNTRY CLUB		
FIELD	JOB NO 94-1173	FB PG
OFFICE R.C.	DATE MAY, 1994	DWG NO 94-1173
C.K.D. C.L.W.	REF	SHEET 2 OF 2