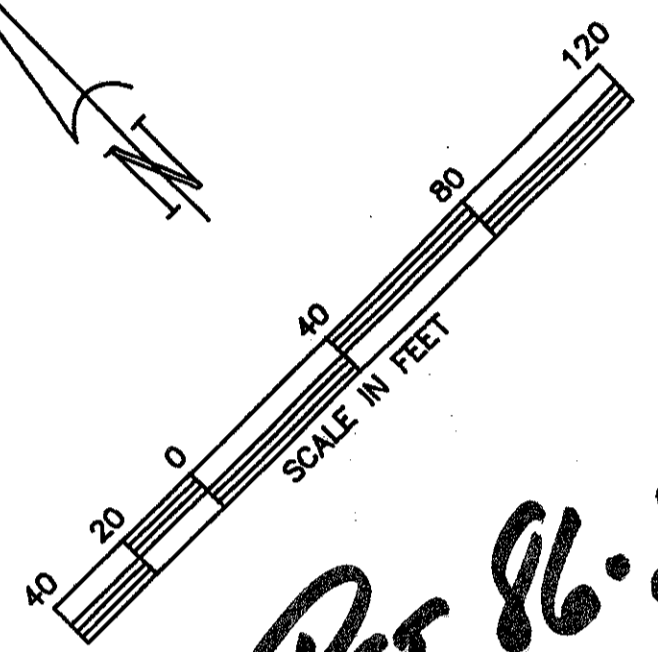
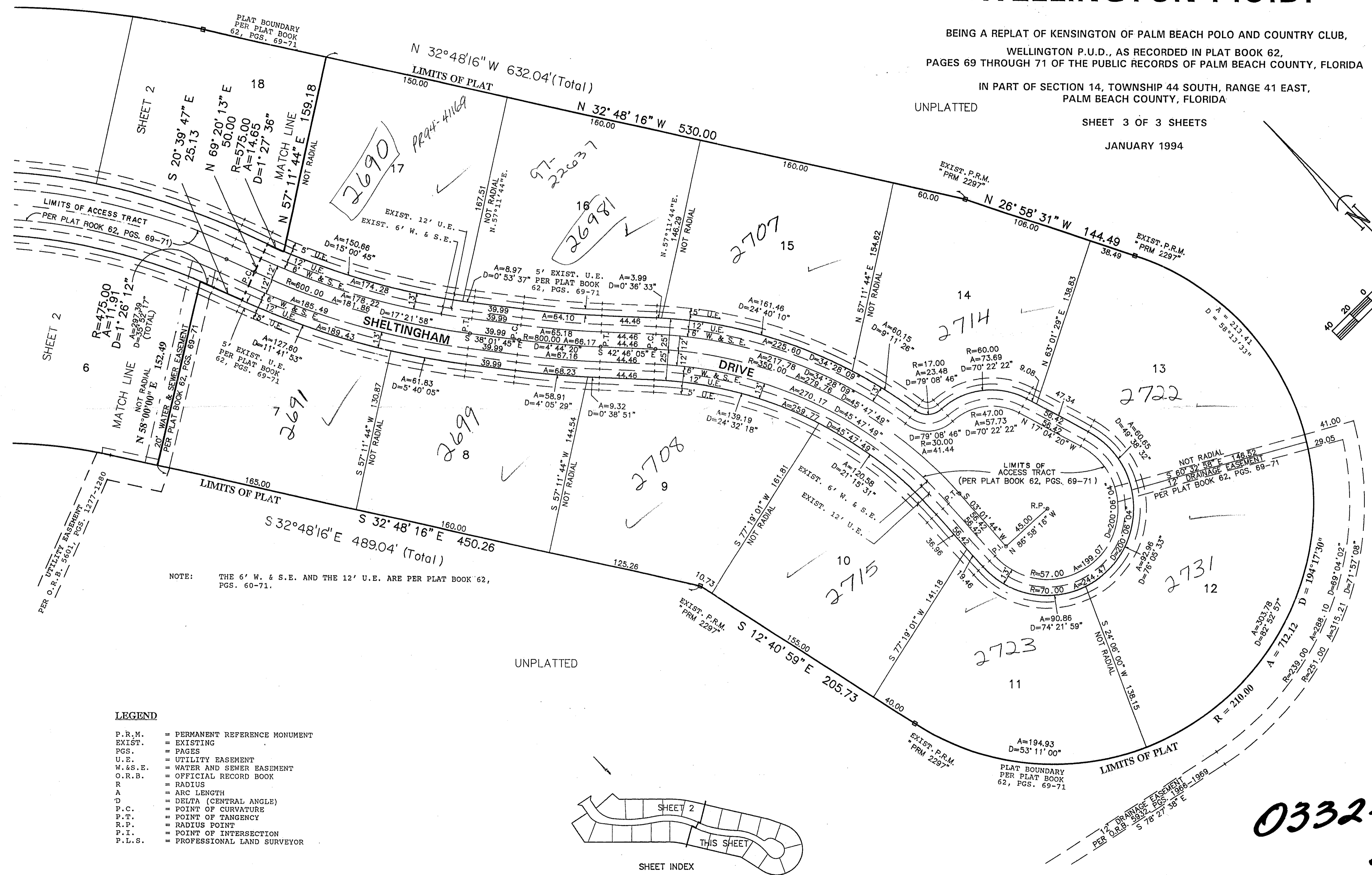


# KENSINGTON REPLAT OF PALM BEACH POLO AND COUNTRY CLUB WELLINGTON P.U.D.

# 202

BEING A REPLAT OF KENSINGTON OF PALM BEACH POLO AND COUNTRY CLUB, WELLINGTON P.U.D., AS RECORDED IN PLAT BOOK 62, PAGES 69 THROUGH 71 OF THE PUBLIC RECORDS OF PALM BEACH COUNTY, FLORIDA  
IN PART OF SECTION 14, TOWNSHIP 44 SOUTH, RANGE 41 EAST, PALM BEACH COUNTY, FLORIDA

UNPLATTED SHEET 3 OF 3 SHEETS  
JANUARY 1994

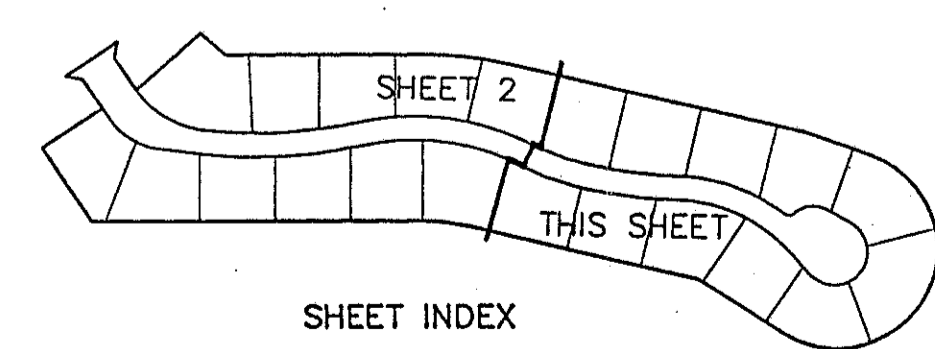


*PET. 86-32I  
5/2/4/G*

*PARCEL 71  
WELLINGTON PUD*

NOTE: THE 6' W. & S.E. AND THE 12' U.E. ARE PER PLAT BOOK 62, PGS. 60-71.

- LEGEND**
- P.R.M. = PERMANENT REFERENCE MONUMENT
  - EXIST. = EXISTING
  - PGS. = PAGES
  - U.E. = UTILITY EASEMENT
  - W.&S.E. = WATER AND SEWER EASEMENT
  - O.R.B. = OFFICIAL RECORD BOOK
  - R = RADIUS
  - A = ARC LENGTH
  - D = DELTA (CENTRAL ANGLE)
  - P.C. = POINT OF CURVATURE
  - P.T. = POINT OF TANGENCY
  - R.P. = RADIUS POINT
  - P.I. = POINT OF INTERSECTION
  - P.L.S. = PROFESSIONAL LAND SURVEYOR



SUBDIVISION Kensington Replat  
BOOK 73 PART 202  
FLOOR TONE A0-1 FLOOR MAP #1008  
QUAD #62 ZONING AK  
SE 86-32 ZIP CODE 33411  
PUP NAME SANS  
14/14/11

TAZ-730

*0332-106  
73/202*

SCALE: 1" = 40'	NICK MILLER, INC. Surveying	DRAWN BY:
DATE: JAN, '94		CHK
<b>KENSINGTON REPLAT OF PALM BEACH POLO AND COUNTRY CLUB WELLINGTON P.U.D.</b>		
2560 RCA Blvd. • Suite 105 Palm Beach Gardens, Florida 33410 (407) 627-5200		DRAWING NUMBER <b>94001</b>