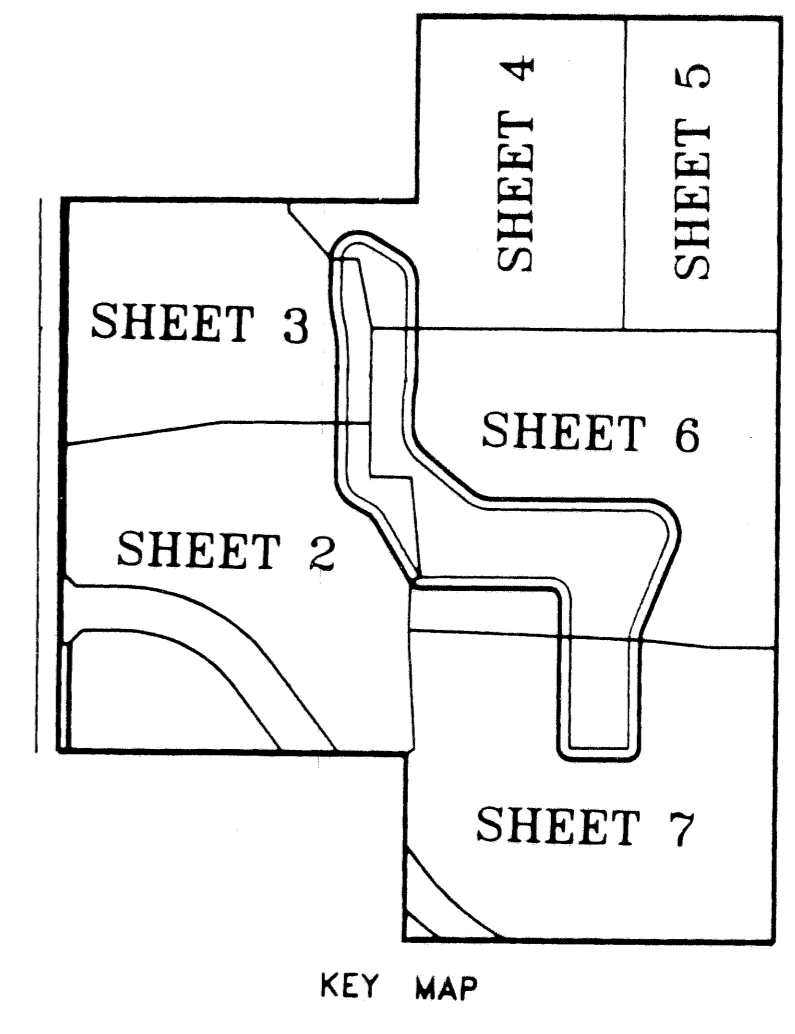
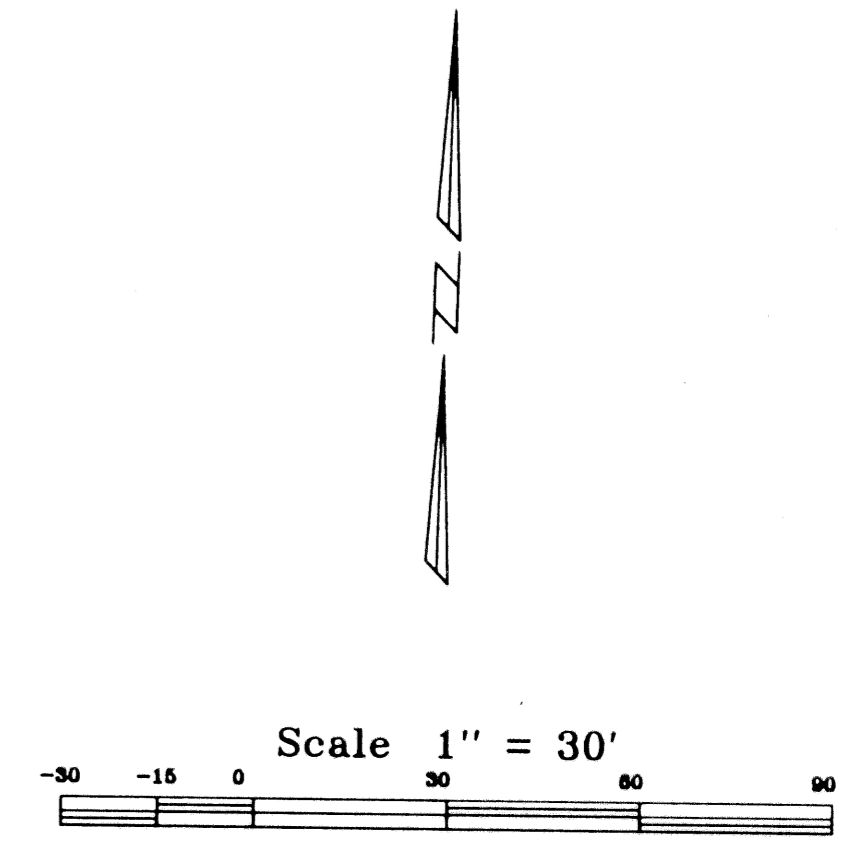
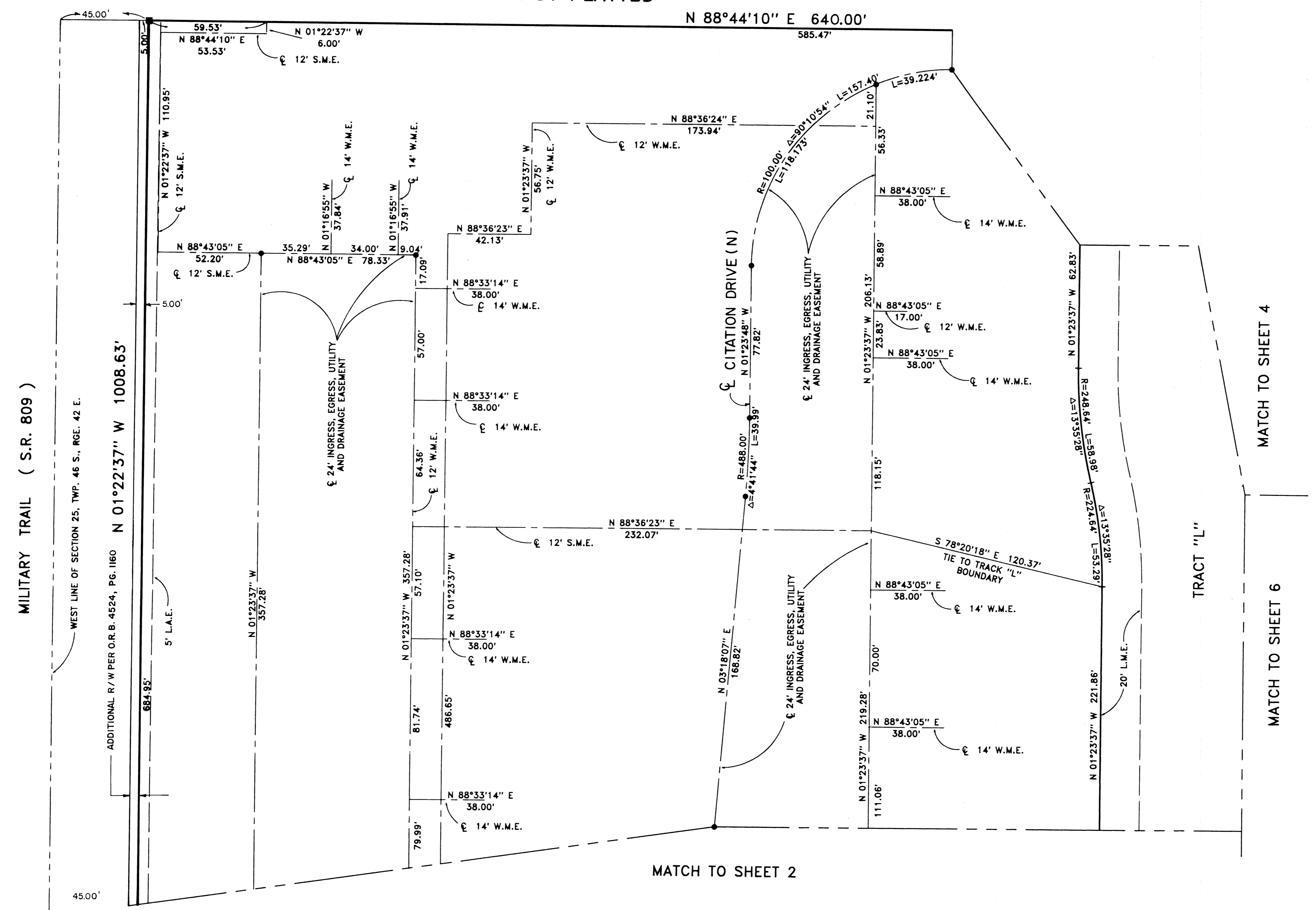


CITATION CLUB
 LYING IN SECTION 25, TOWNSHIP 46 SOUTH, RANGE 42 EAST,
 CITY OF DELRAY BEACH, PALM BEACH COUNTY, FLORIDA.
 SHEET 3 OF 7 SHEETS OCTOBER, 1995

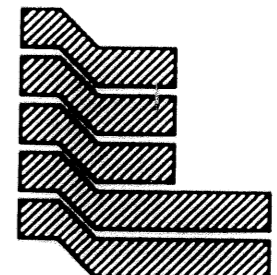
183

STATE OF FLORIDA
 COUNTY OF PALM BEACH SS
 This Plat was filed for record at _____
 ____M. This ____ day of _____, 19____
 and duly recorded in Plat Book No. _____
 on Page _____
 Dorothy H. Wilken, Clerk of the Circuit Court
 By _____ D.C.

NOT PLATTED



SUBDIVISION * CITATION CLUB
 BOOK 74 PAGE 183
 FLOOD ZONE -
 QUAD * -
 ZONING -
 SE ZIP CODE -
 PUD NAME CITY OF DELRAY



Landmark Surveying & Mapping Inc.
 1850 FOREST HILL BOULEVARD
 PH. (407)433-5405 SUITE 100 W.P.B. FLORIDA

CITATION CLUB