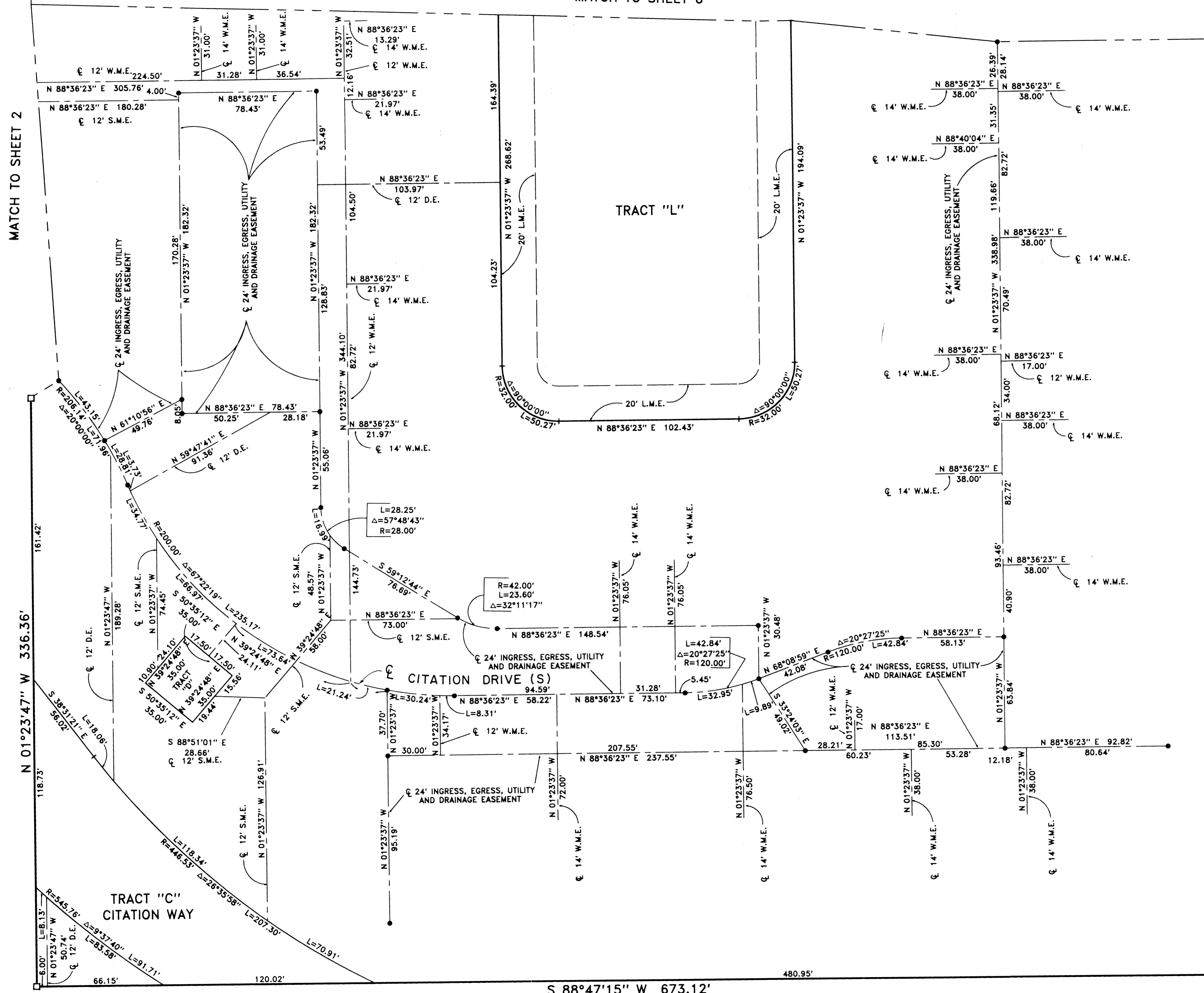


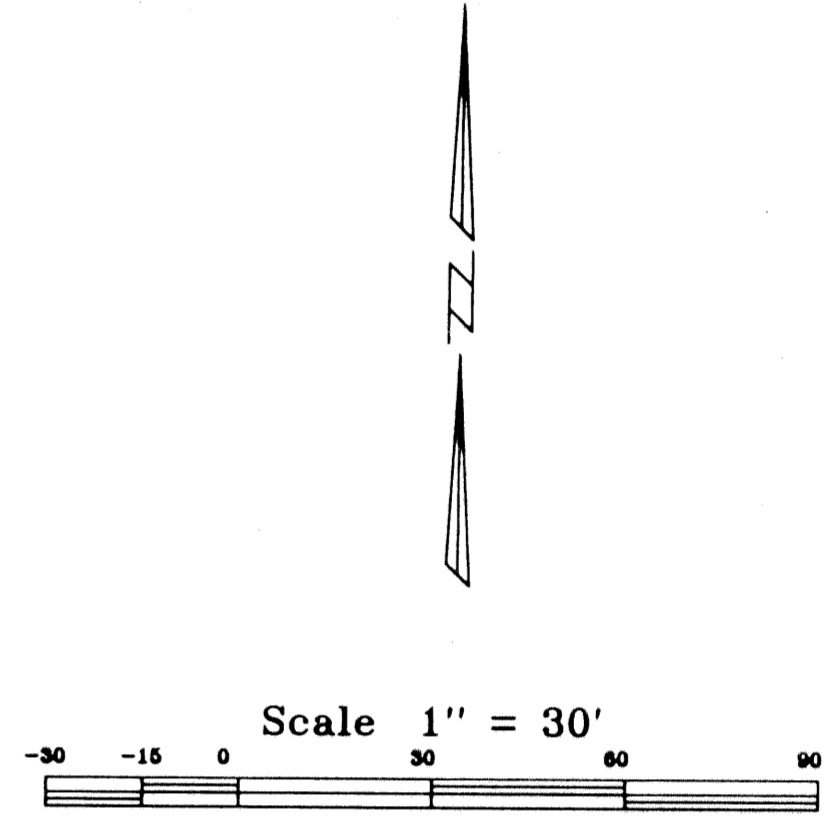
**CITATION CLUB**  
 LYING IN SECTION 25, TOWNSHIP 46 SOUTH, RANGE 42 EAST,  
 CITY OF DELRAY BEACH, PALM BEACH COUNTY, FLORIDA.  
 SHEET 7 OF 7 SHEETS      OCTOBER, 1995

**187**

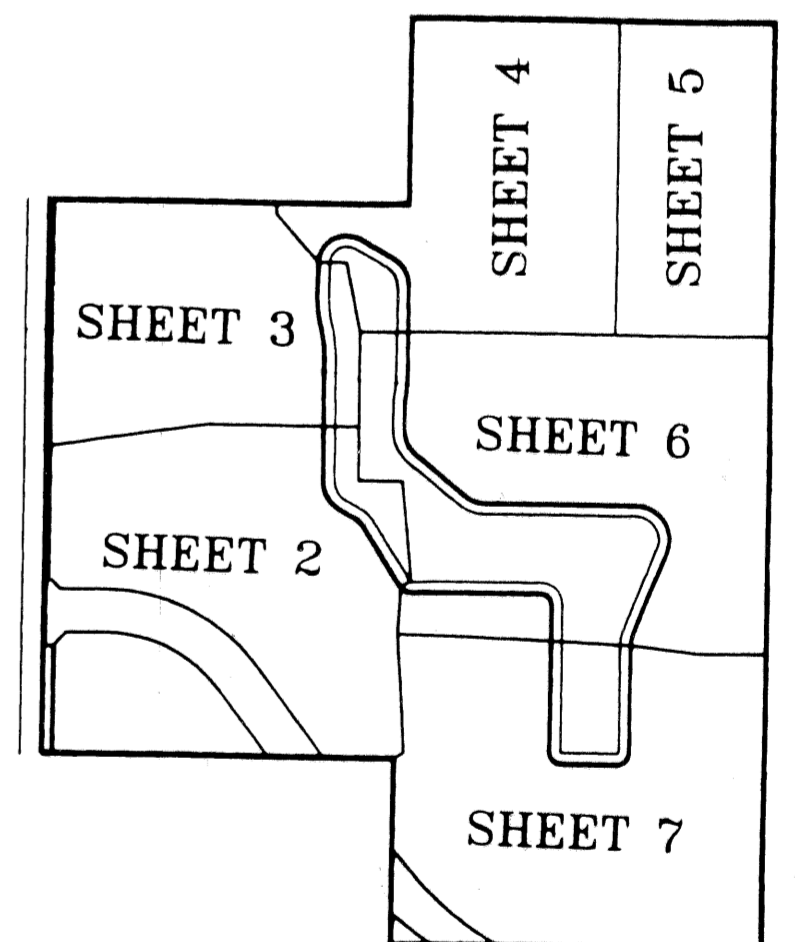
MATCH TO SHEET 6



STATE OF FLORIDA  
 COUNTY OF PALM BEACH      ss  
 This Plat was filed for record at \_\_\_\_\_  
 M. This \_\_\_\_ day of \_\_\_\_\_, 19\_\_\_\_  
 and duly recorded in Plat Book No. \_\_\_\_\_  
 on Page \_\_\_\_\_  
 Dorothy H. Wilken, Clerk of the Circuit Court  
 By \_\_\_\_\_ D.C.



NOT PLATTED



NOT PLATTED

NOT PLATTED

SUBDIVISION \* CITATION CLUB  
 BOOK 74      PAGE 187  
 FLOOD ZONE - FLOOD MAP \*  
 QUAD \*      ZONING  
 SE      ZIP CODE  
 PUD NAME CITY OF DELRAY



Landmark Surveying & Mapping Inc.  
 1850 FOREST HILL BOULEVARD  
 PH. (407)433-5405      SUITE 100      W.P.B. FLORIDA

**CITATION CLUB**