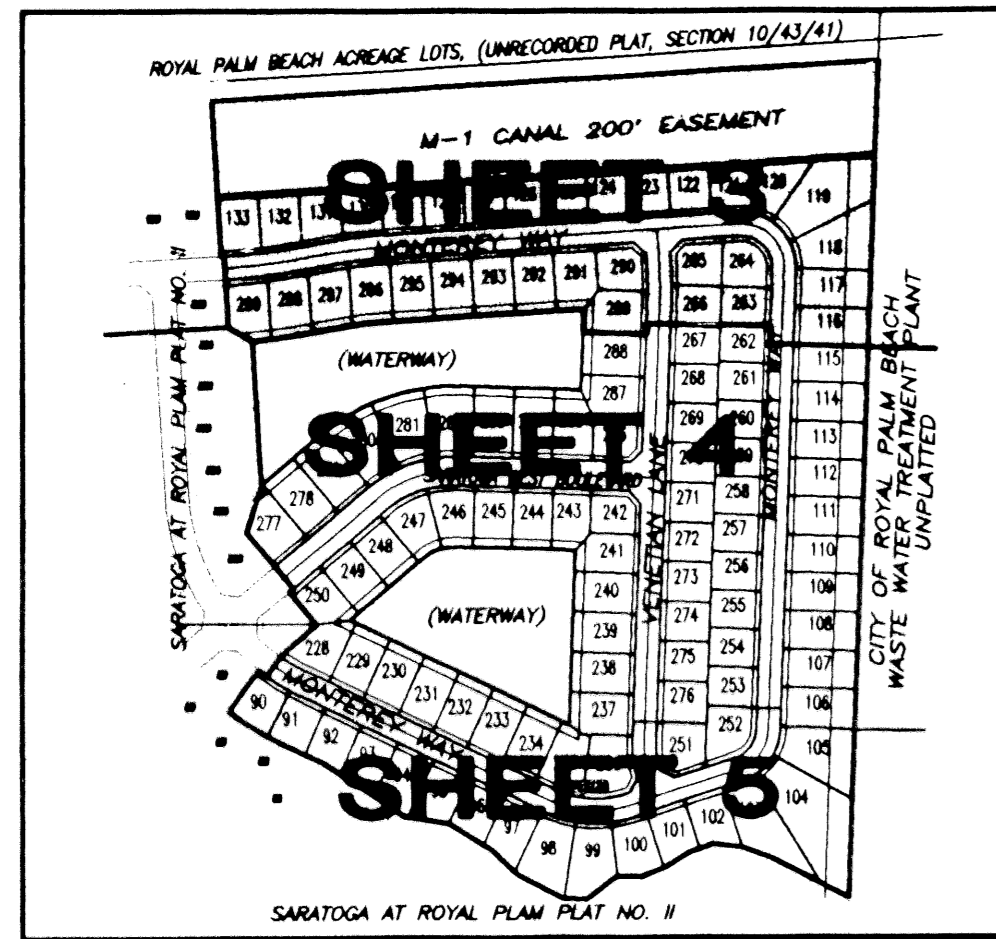
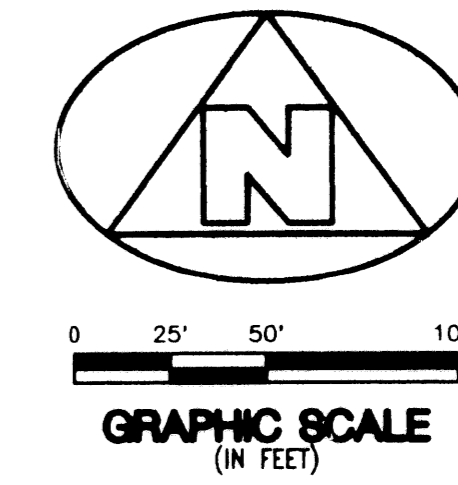


SARATOGA AT ROYAL PALM PLAT IV

(A PART OF ROYAL PALM HOMES P.U.D.)
LYING AND BEING IN SECTION 15, TOWNSHIP 43 SOUTH, RANGE 41 EAST, VILLAGE OF ROYAL PALM BEACH, PALM BEACH COUNTY, FLORIDA,
BEING A RE-PLAT OF A PORTION OF HAWTHORNE SUBDIVISION, AS RECORDED IN PLAT BOOK 30, PAGE 104, PUBLIC RECORDS, PALM BEACH COUNTY, FLORIDA



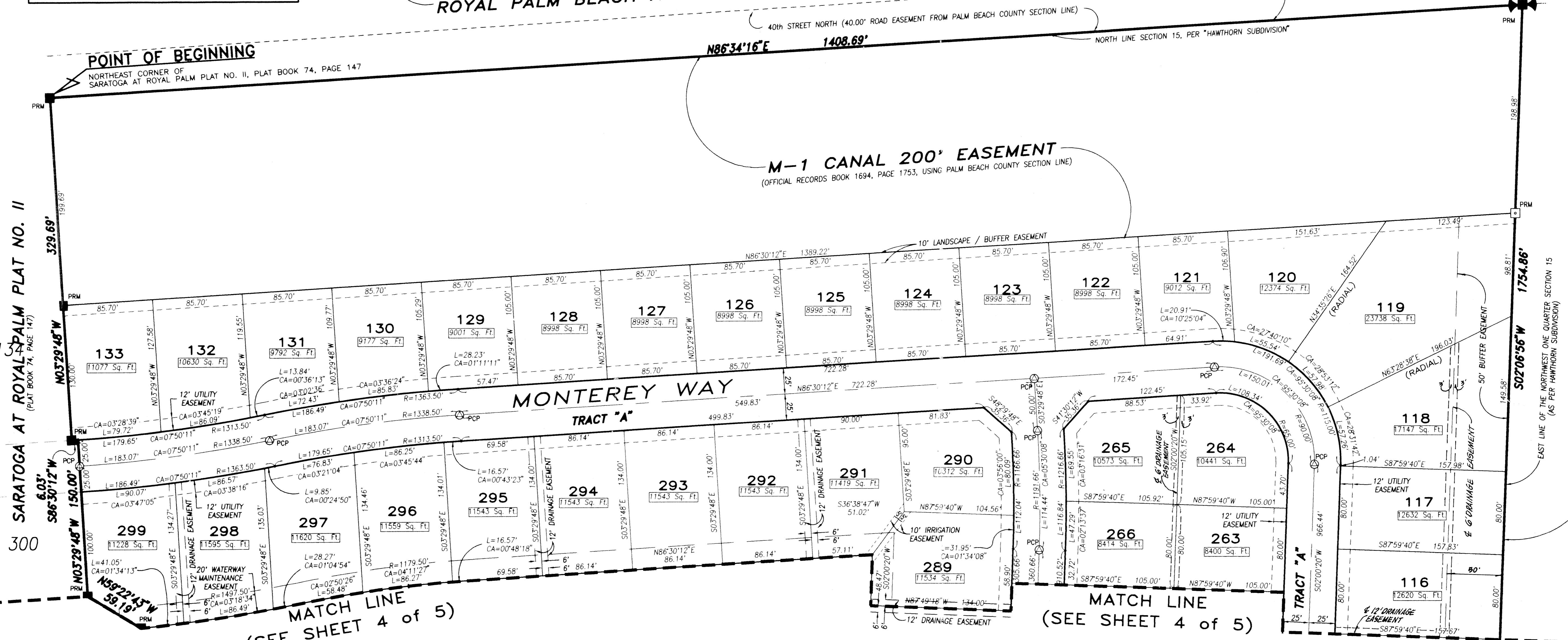
SURVEYOR'S NOTES AND LEGEND:

- BEARINGS SHOWN OR STATED HEREON, ARE BASED ON, OR ARE RELATIVE TO AN ASSUMED BEARING OF NORTH 02°06'56" EAST, ALONG THE EAST LINE OF THE N.W. 1/4, SECTION 15, (AS PER HAWTHORN SUBDIVISION)
- IN THOSE INSTANCES WHERE UTILITY/DRAINAGE STRUCTURES ARE CONSTRUCTED IN CONFLICT WITH THE PLATTED PERMANENT CONTROL POINTS (P.C.P.) POSITION, STRADDLERS MONUMENTED AS PERMANENT CONTROL POINTS WILL BE SET TO REFERENCE THE PLATTED P.C.P. POSITION.
- LINES INTERSECTING CURVES ARE NON RADIAL UNLESS OTHERWISE NOTED.
- SQ. FT. DENOTES SQUARE FEET
- C/L DENOTES A CENTERLINE
- W.M.E. DENOTES WATERWAY MAINTENANCE EASEMENT
- PRM DENOTES A FOUND #2424 PERMANENT REFERENCE MONUMENT (P.R.M.)
- PCP DENOTES A FOUND #2424 PERMANENT CONTROL POINT (P.C.P.)
- PRM DENOTES A SET #2424 PERMANENT REFERENCE MONUMENT (P.R.M.)
- PCP DENOTES A SET #2424 PERMANENT CONTROL POINT (P.C.P.)

NORTHEAST CORNER OF NORTHWEST QUARTER SECTION 15, TOWNSHIP 43 SOUTH, RANGE 41 EAST, AS PER "HAWTHORN SUBDIVISION" (PLAT BOOK 30, PAGE 104)

FOUND 5/8" IRON ROD/CAP L.B. 3591
FOUND P.B.CO. DISK 3.95' NORTH, 0.14' EAST

ROYAL PALM BEACH ACREAGE LOTS, (UNRECORDED PLAT, SECTION 10/43/41)



CITY OF ROYAL PALM BEACH
WASTE WATER TREATMENT PLANT
UNPLATTED

SARATOGA AT ROYAL PALM
SUBDIVISION # PLAT IV
BOOK 79 PAGE 118
FLOOD MAP #
QUAD #
SE
PUD NAME VILLAGE OF ROYAL PALM BEACH

THIS INSTRUMENT WAS PREPARED BY WM. R. VAN CAMPEN, R.L.S., IN AND FOR THE OFFICES OF BENCH MARK LAND SURVEYING & MAPPING, INC., 4152 WEST BLUE HERON BOULEVARD, SUITE 121, RIVIERA BEACH, FLORIDA

BENCH MARK
Land Surveying and Mapping, Inc.
4152 West Blue Heron Blvd, Suite 121, Riviera Beach, FL 33404
Tel: (407) 844-9639 Fax: (407) 844-9639

RECORD PLAT					
SARATOGA AT ROYAL PALM PLAT IV					
OWN	QJM	FB	DATE	06/01/96	WO # P15
CKD	FILE	P15-N-A.dwg	SCALE	1" = 50'	SHEET 3 OF 5