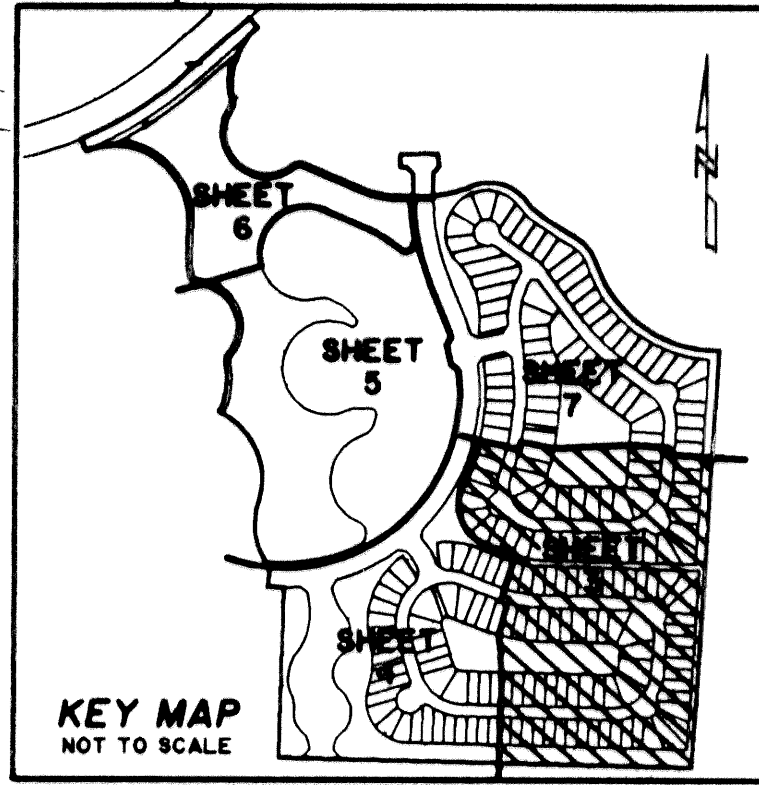
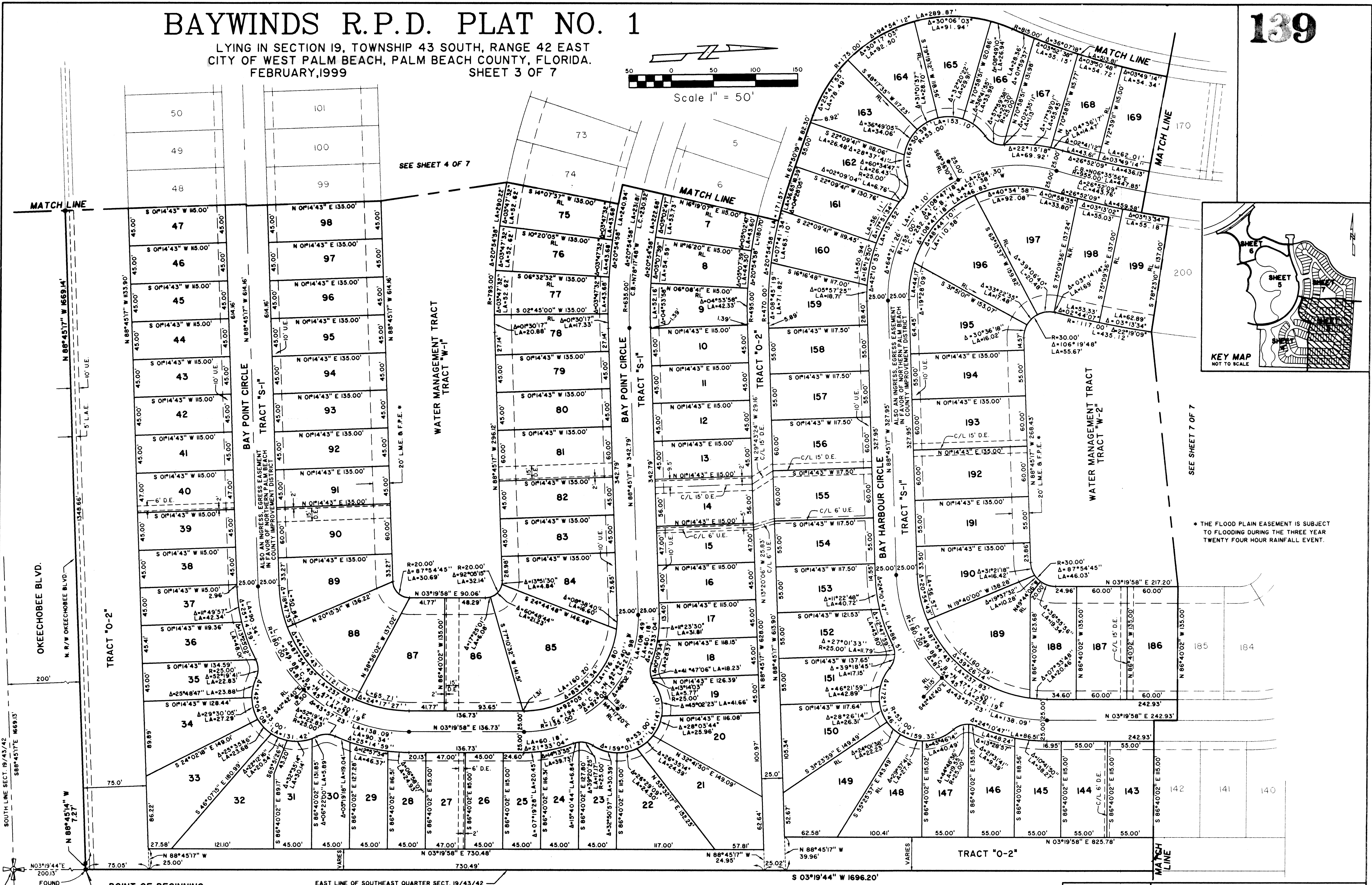
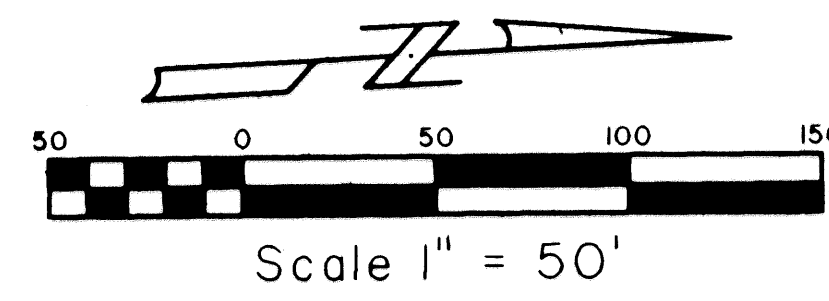


BAYWINDS R.P.D. PLAT NO. 1

LYING IN SECTION 19, TOWNSHIP 43 SOUTH, RANGE 42 EAST
CITY OF WEST PALM BEACH, PALM BEACH COUNTY, FLORIDA.
FEBRUARY, 1999 SHEET 3 OF 7



* THE FLOOD PLAIN EASEMENT IS SUBJECT TO FLOODING DURING THE THREE YEAR TWENTY FOUR HOUR RAINFALL EVENT.

POINT OF BEGINNING
S.E. CORNER OF SECT. 19,
TWP. 43 S., RGE. 42 E.
FND. P.B. CNTY. DISC. IN CONC.

OAK LAKES R.P.D.
P.B. 80, PG. 33

Landmark Surveying & Mapping Inc.
1850 Forest Hill Boulevard
Ph. (466) 433-5405 Suite 100 W.P.B. Florida

BAYWINDS R.P.D. PLAT NO. 1