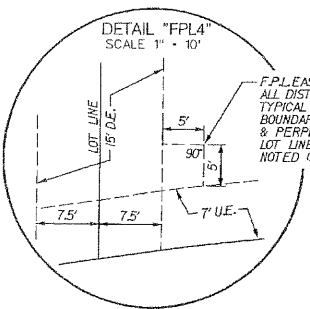
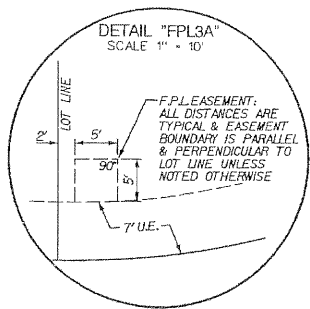
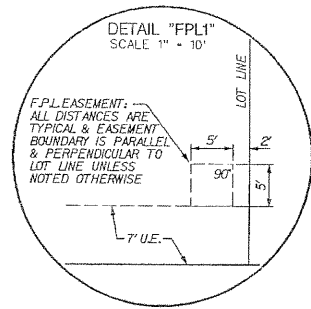
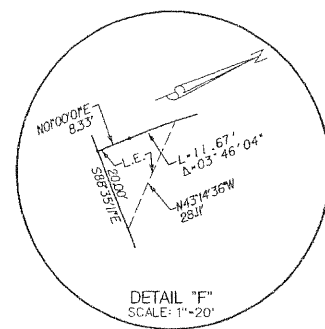
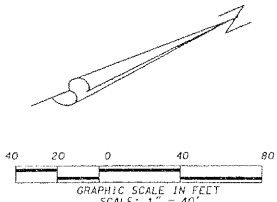
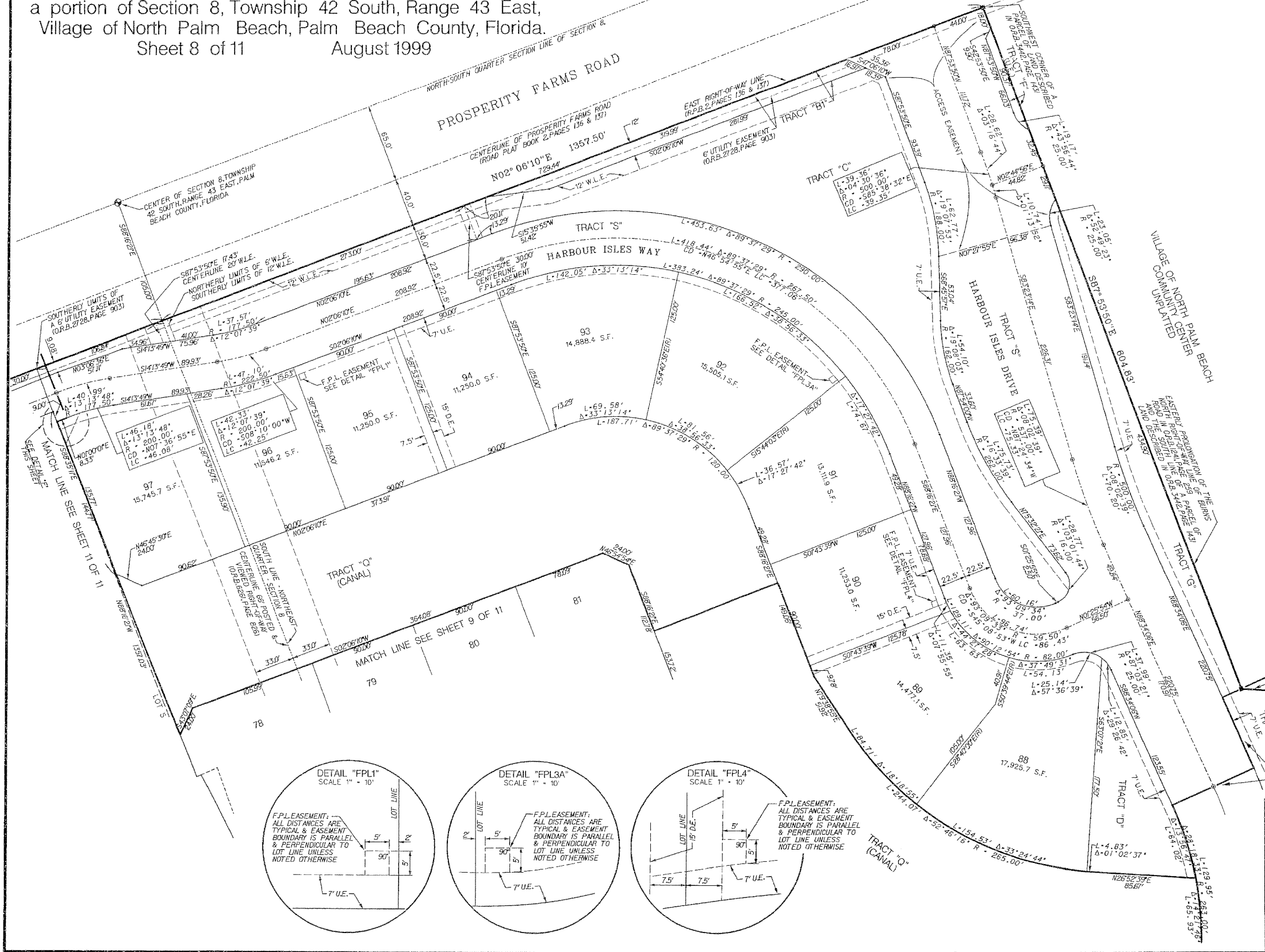


HARBOUR ISLES

Being a replat of Lots 1 through 5, Block 54,
 Village of North Palm Beach, Plat No. 6, as recorded
 in Plat Book 26 pages 10 through 12, and being
 a portion of Section 8, Township 42 South, Range 43 East,
 Village of North Palm Beach, Palm Beach County, Florida.
 Sheet 8 of 11 August 1999

118



LIDBERG LAND SURVEYING, INC.			
LB4431 675 West Indiantown Road, Suite 200, Jupiter, Florida 33458 TEL. 561-748-8454			
CAD.	K:\USTATION \ SECTION \ 08-42-43 \ 96-594 \ SHEET8.DGN		
REF.	K:\USTATION \ SECTION \ 08-42-43 \ 96-594 \ 96-594.DGN		
FLD.	FB.	PG.	JOB 96-594
OFF.	R.W.	DATE	10/14/96
CKD.	D.C.L.	SHEET 8 OF 11	DWG. D96-594P