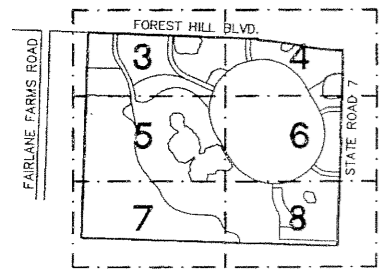


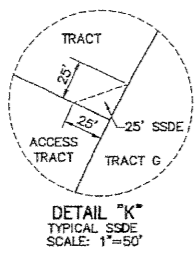
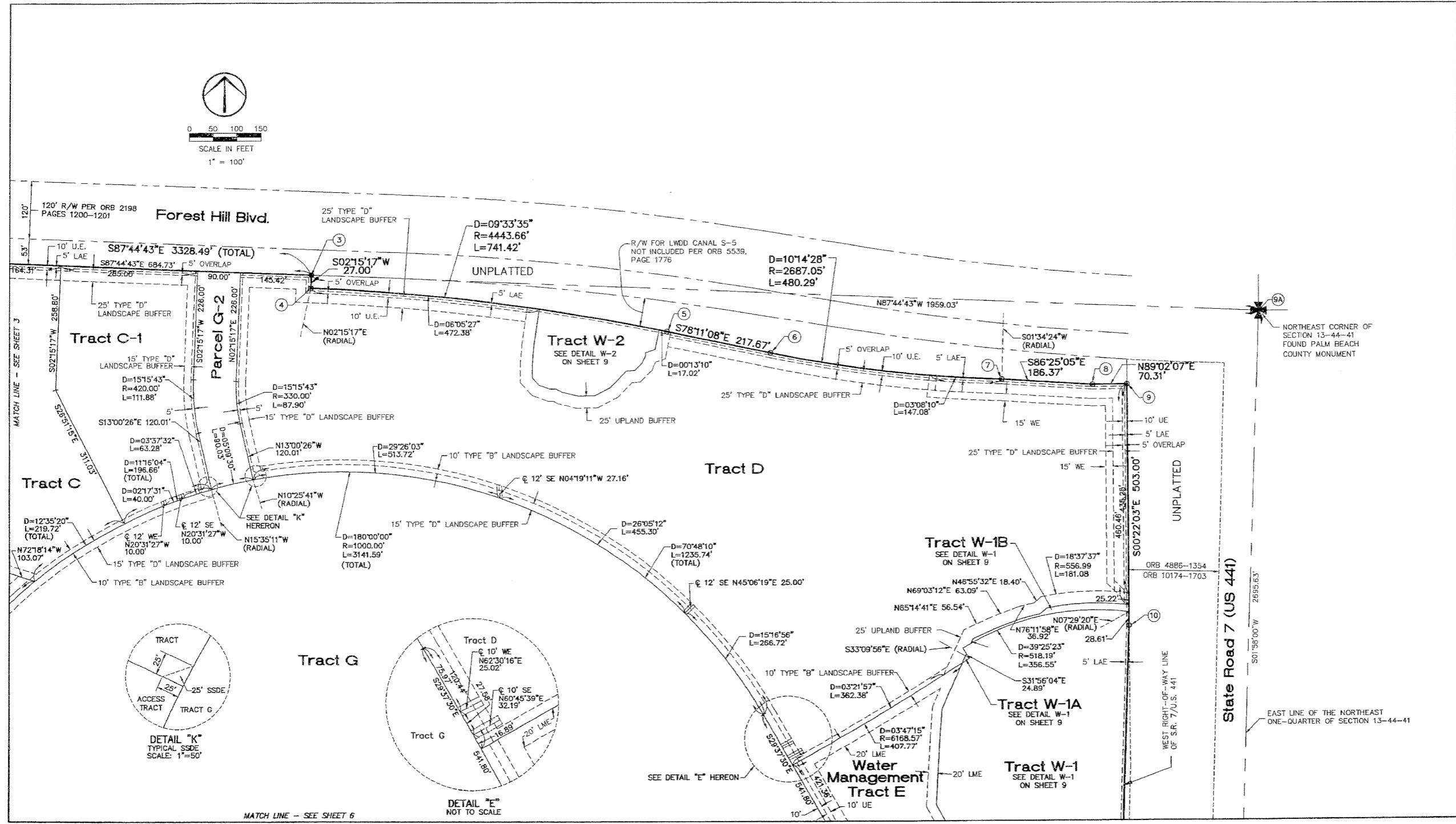
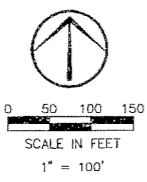
WELLINGTON GREEN, A MUPD/PUD

A Portion of Section 13, Township 44 South, Range 41 East
Village of Wellington, Palm Beach County, Florida
This instrument prepared by James E. Park, P.S.M.
Williams, Hatfield & Stoner, Inc. - Engineers Surveyors Planners Environmental Scientists
1901 South Congress Avenue, Suite 150, Boynton Beach, Florida 33426

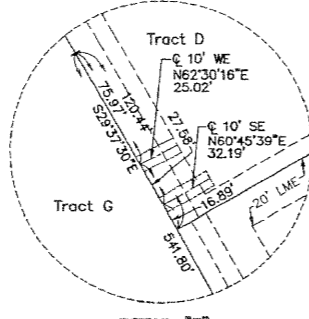
Sheet 4 of 10



LOCATION MAP



DETAIL "K" TYPICAL SSDE SCALE: 1"=50'



DETAIL "E" NOT TO SCALE

MATCH LINE - SEE SHEET 6

MODEL: \ROOT\PLAT\WG-PLAT.DWG