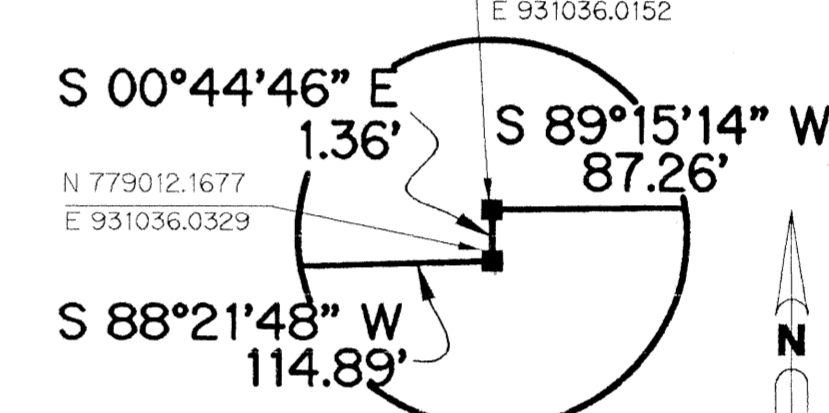
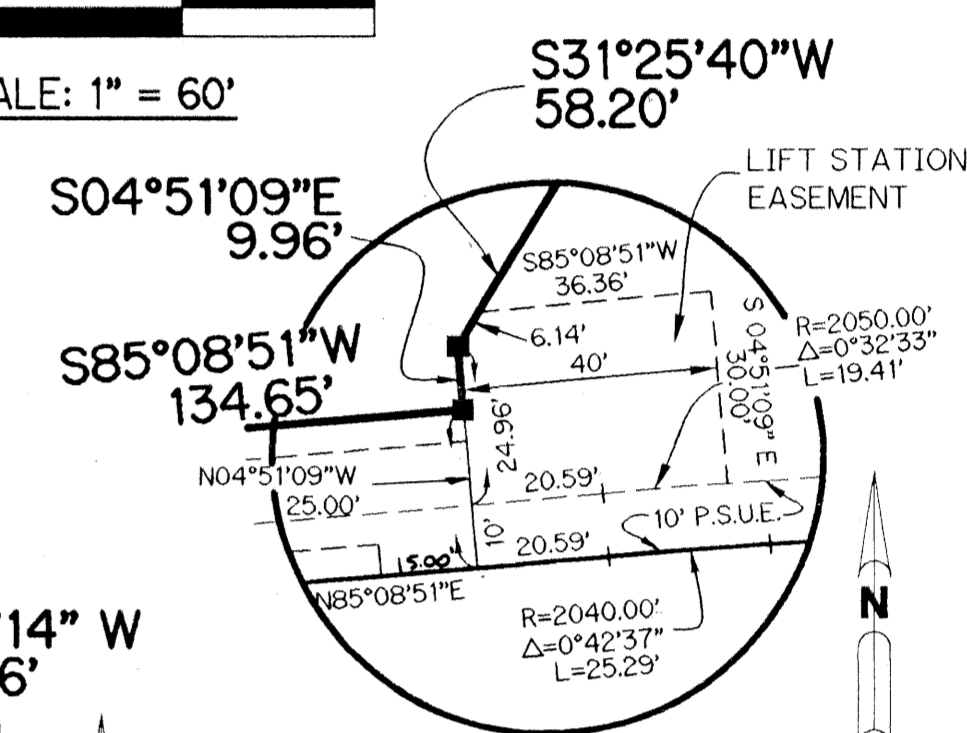
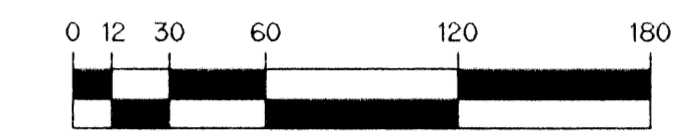
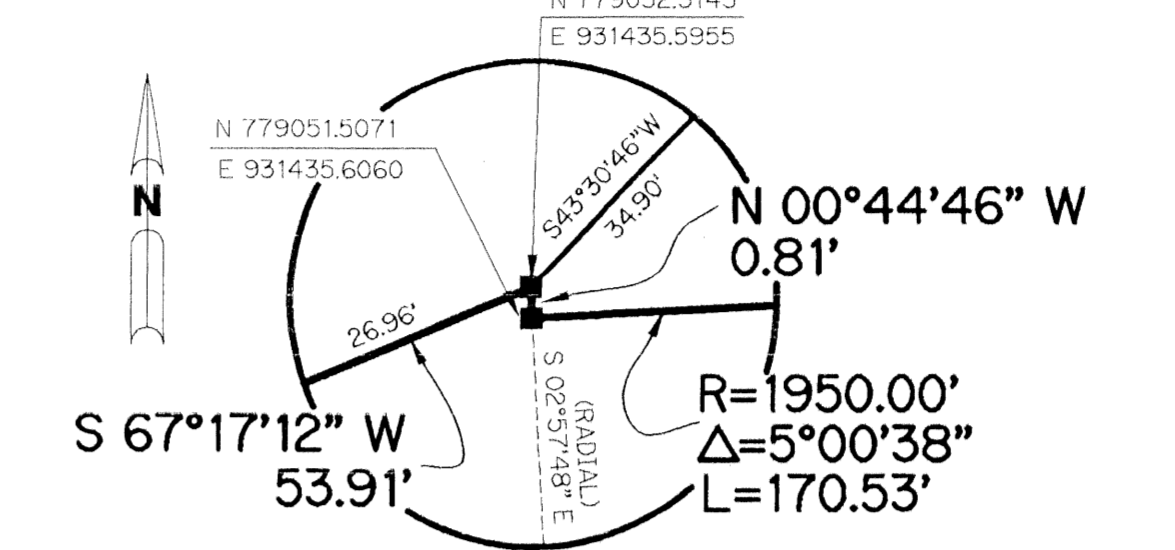
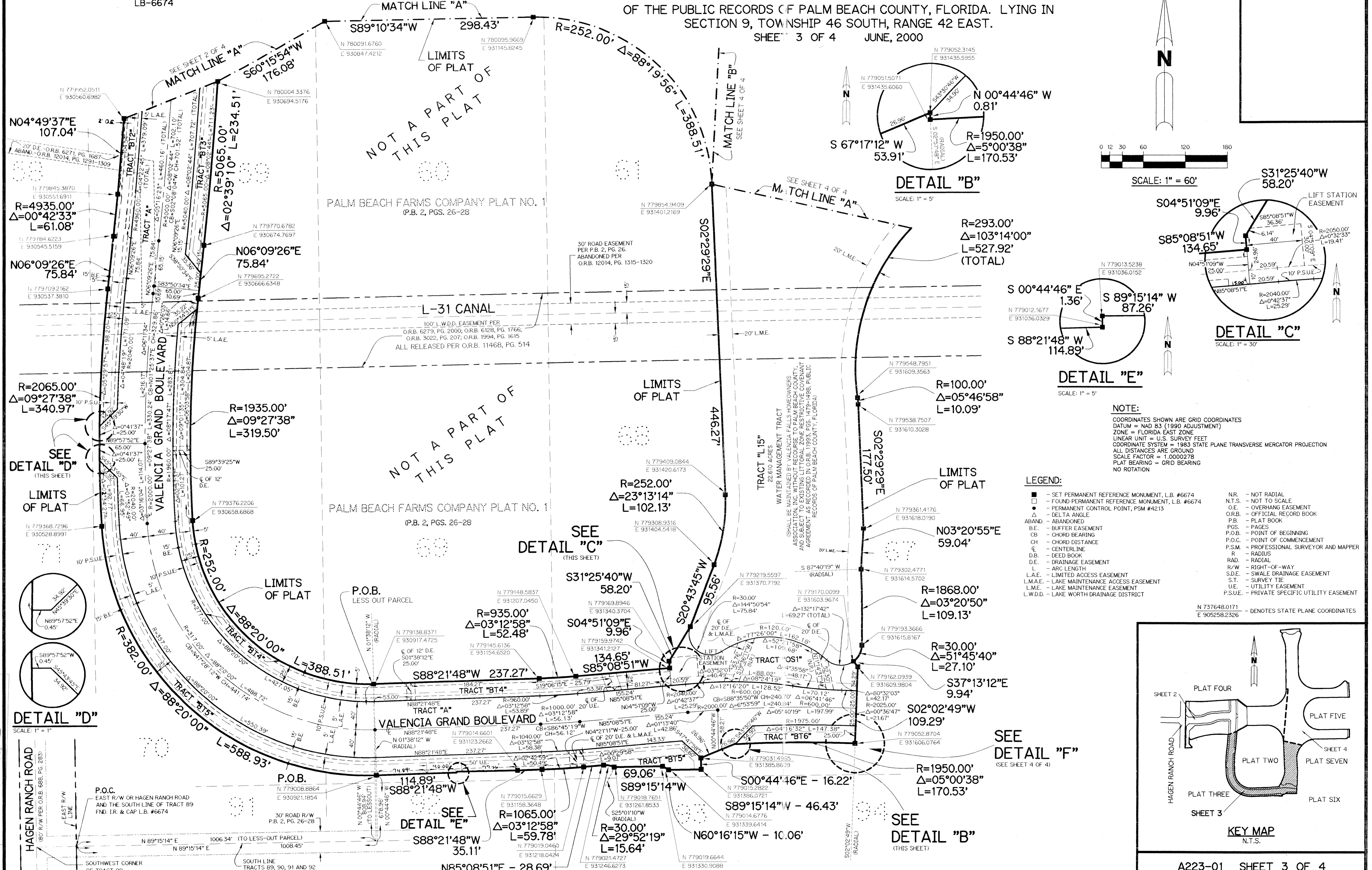


THIS INSTRUMENT PREPARED BY  
PERRY C. WHITE, P.S.M. 4213, STATE OF FLORIDA  
LAWSON, NOBLE AND WEBB, INC.  
ENGINEERS PLANNERS SURVEYORS  
420 COLUMBIA DRIVE  
WEST PALM BEACH, FLORIDA 33409  
LB-6674

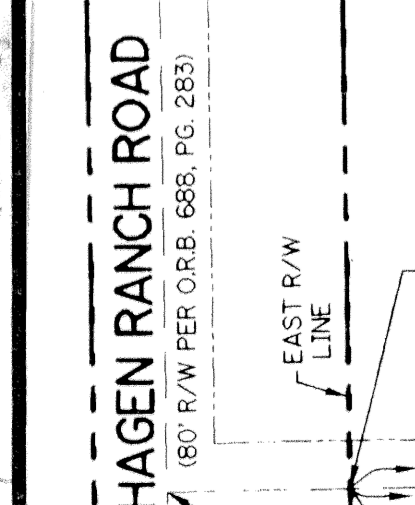
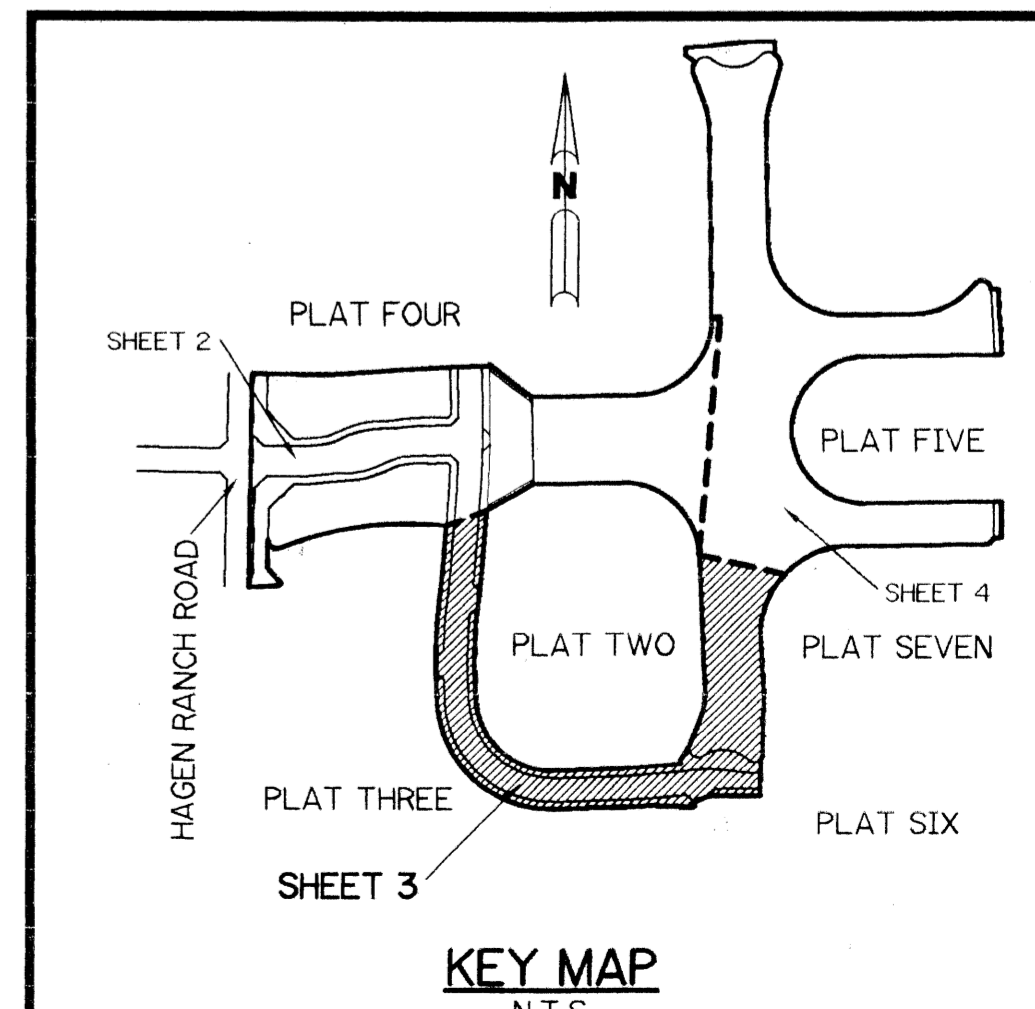
# VALENCIA FALLS - PLAT ONE

BEING A REPLAT OF A PORTION OF TRACTS 29, 30, 33, 34, 35, 36, 37, 38, 40, 57, 58, 59, 60, 61, 62, 63, 64, 67, 68, 69 AND 70  
PALM BEACH FARMS COMPANY PLAT NO. 1 AS RECORDED IN PLAT BOOK 2, PAGES 26 THROUGH 28  
OF THE PUBLIC RECORDS OF PALM BEACH COUNTY, FLORIDA. LYING IN  
SECTION 9, TOWNSHIP 46 SOUTH, RANGE 42 EAST.  
SHEET 3 OF 4 JUNE, 2000



**NOTE:**  
COORDINATES SHOWN ARE GRID COORDINATES  
DATUM = NAD 83 (1990 ADJUSTMENT)  
ZONE = FLORIDA EAST ZONE  
LINEAR UNIT = U.S. SURVEY FEET  
COORDINATE SYSTEM = 1983 STATE PLANE TRANSVERSE MERCATOR PROJECTION  
ALL DISTANCES ARE GROUND  
SCALE FACTOR = 1.0000278  
PLAT BEARING = GRID BEARING  
NO ROTATION

- LEGEND:**
- - SET PERMANENT REFERENCE MONUMENT, L.B. #6674
  - - FOUND PERMANENT REFERENCE MONUMENT, L.B. #6674
  - - PERMANENT CONTROL POINT, PSM #4213
  - △ - DELTA ANGLE
  - ABAND - ABANDONED
  - B.E. - BUFFER EASEMENT
  - CB - CHORD BEARING
  - CH - CHORD DISTANCE
  - CL - CENTERLINE
  - D.B. - DEED BOOK
  - D.E. - DRAINAGE EASEMENT
  - L - ARC LENGTH
  - L.A.E. - LIMITED ACCESS EASEMENT
  - L.M.A.E. - LAKE MAINTENANCE ACCESS EASEMENT
  - L.M.E. - LAKE MAINTENANCE EASEMENT
  - L.W.D. - LAKE WORTH DRAINAGE DISTRICT
  - NR - NOT RADIAL
  - N.T.S. - NOT TO SCALE
  - O.E. - OVERHANG EASEMENT
  - P.O.C. - POINT OF BEGINNING
  - P.O.C. - POINT OF COMMENCEMENT
  - P.S.M. - PROFESSIONAL SURVEYOR AND MAPPER
  - R - RADIUS
  - RAD. - RADIAL
  - R/W - RIGHT-OF-WAY
  - S.D.E. - SWALE DRAINAGE EASEMENT
  - S.T. - SURVEY TIE
  - U.E. - UTILITY EASEMENT
  - P.S.U.E. - PRIVATE SPECIFIC UTILITY EASEMENT
  - N 737648.0171  
E 905258.2326 - DENOTES STATE PLANE COORDINATES



PAGE 30  
F. CONWAY # 200A  
ZONING PU0  
STAD # 51  
TAX 440  
PUD NAME Polo Trace