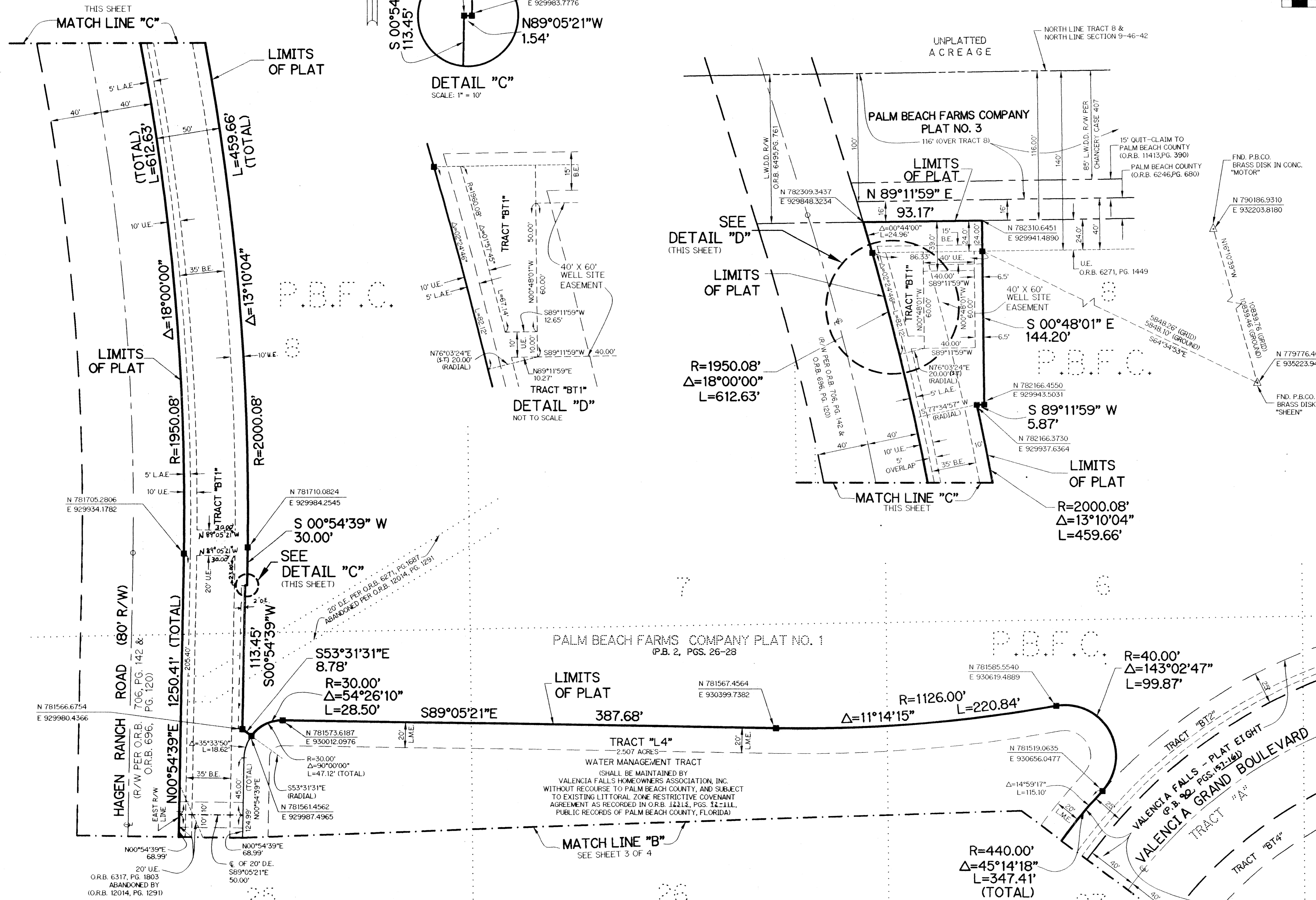
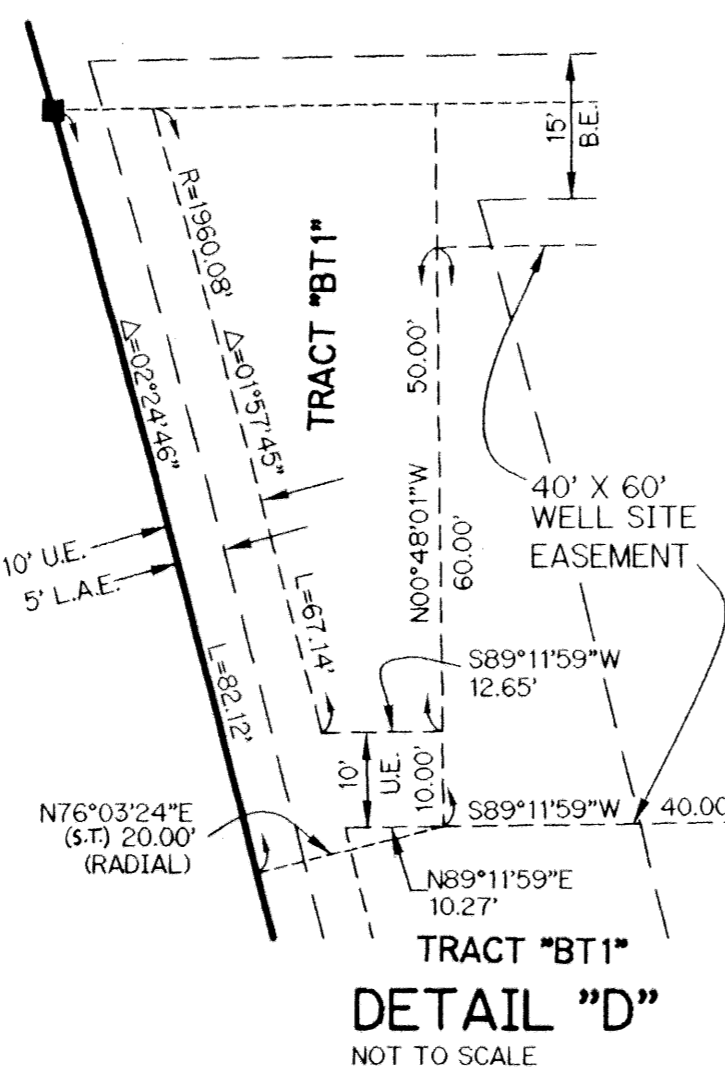
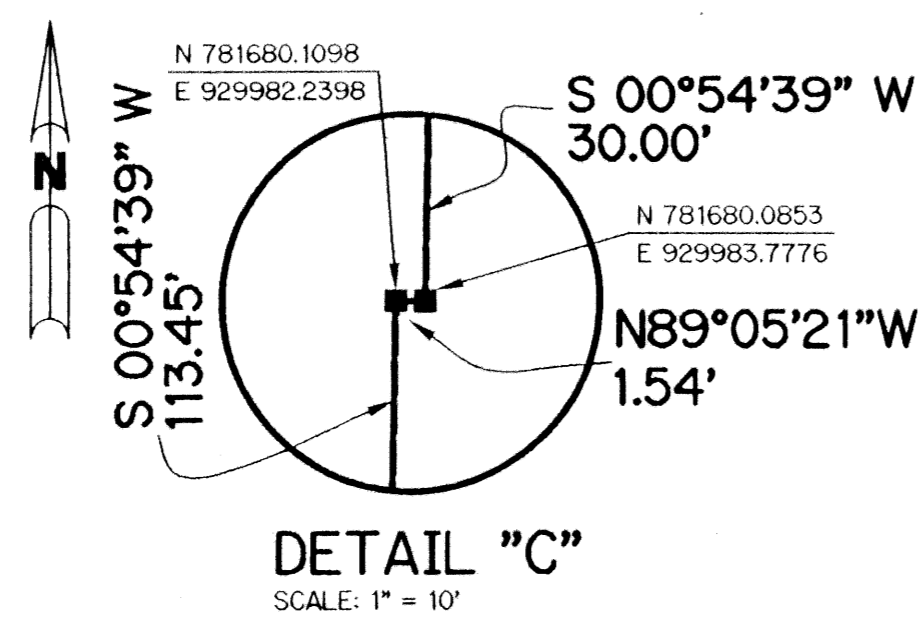
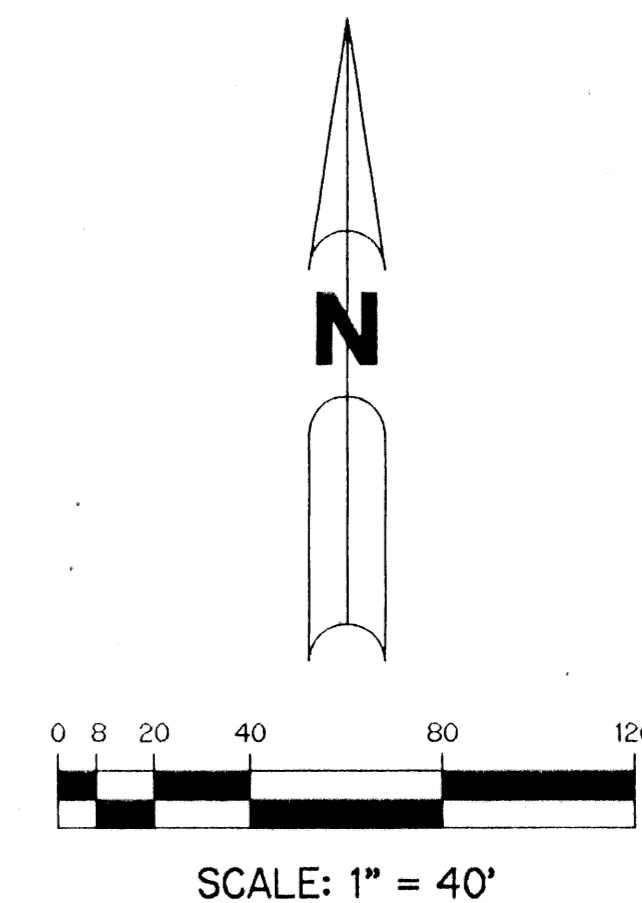


VALENCIA FALLS - PLAT FOUR

BEING A REPLAT OF A PORTION OF TRACTS 8, 25, 26, 27, 38, 39 AND 40,
PALM BEACH FARMS COMPANY PLAT NO. 1 AS RECORDED IN PLAT BOOK 2, PAGES 26 THROUGH 28
OF THE PUBLIC RECORDS OF PALM BEACH COUNTY, FLORIDA. LYING IN
SECTION 9, TOWNSHIP 46 SOUTH, RANGE 42 EAST.

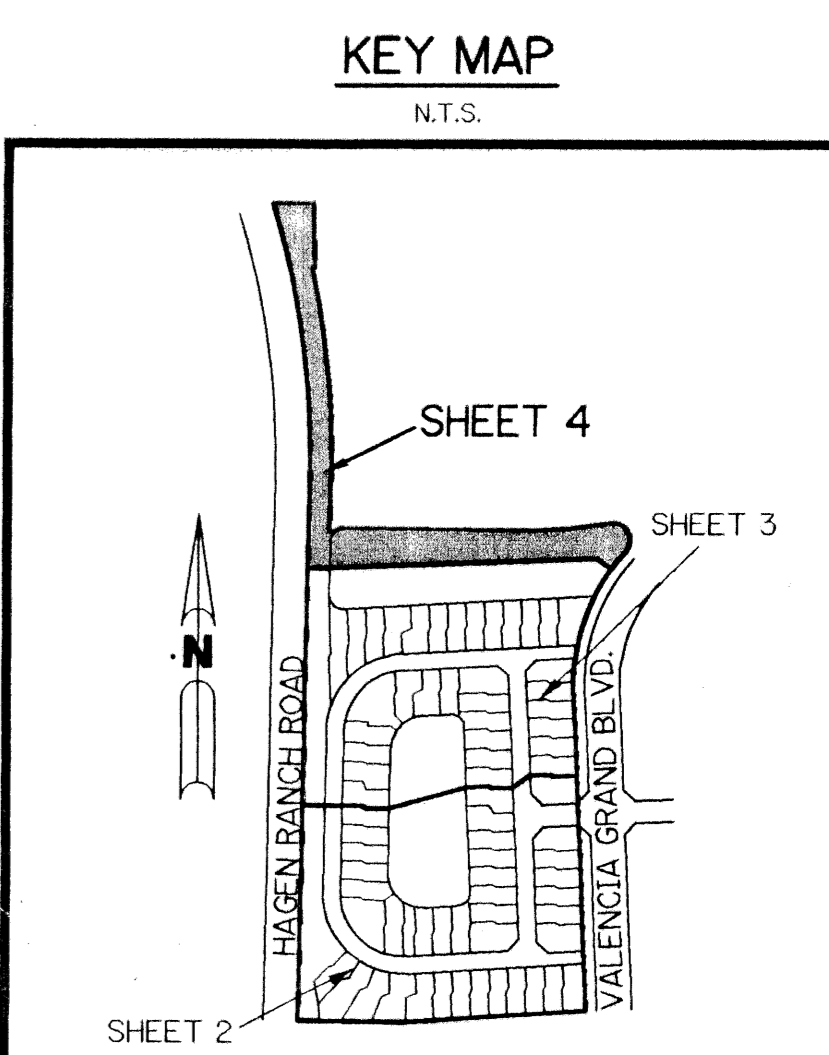
SHEET 4 OF 4 DECEMBER, 2000

THIS INSTRUMENT PREPARED BY
PERRY C. WHITE, P.S.M. 4213, STATE OF FLORIDA
LAWSON, NOBLE AND WEBB, INC.
ENGINEERS PLANNERS SURVEYORS
420 COLUMBIA DRIVE
WEST PALM BEACH, FLORIDA 33409
LB-6674



- LEGEND:**
- P.O.B. - POINT OF BEGINNING
 - P.O.C. - POINT OF COMMENCEMENT
 - - SET PERMANENT REFERENCE MONUMENT, L.B. #6674
 - - FOUND PERMANENT REFERENCE MONUMENT, L.B. #6674
 - - SET PERMANENT CONTROL POINT, L.B. #6674
 - - FOUND PERMANENT CONTROL POINT, L.B. #6674
 - Δ - DELTA ANGLE
 - B.E. - BUFFER EASEMENT
 - CB - CHORD BEARING
 - CH - CHORD DISTANCE
 - CL - CENTERLINE
 - D.B. - DEED BOOK
 - D.E. - DRAINAGE EASEMENT
 - L - ARC LENGTH
 - L.A.E. - LIMITED ACCESS EASEMENT
 - L.M.A.E. - LAKE MAINTENANCE ACCESS EASEMENT
 - L.M.E. - LAKE MAINTENANCE EASEMENT
 - L.W.D.D. - LAKE WORTH DRAINAGE DISTRICT
 - N.R. - NOT RADIAL
 - N.T.S. - NOT TO SCALE
 - O.E. - OVERHANG EASEMENT
 - O.R.B. - OFFICIAL RECORD BOOK
 - P.B. - PLAT BOOK
 - P.G.S. - PAGES
 - P.S.M. - PROFESSIONAL SURVEYOR AND MAPPER
 - R - RADIUS
 - RAD. - RADIAL
 - R/W - RIGHT-OF-WAY
 - S.T. - SURVEY TIE
 - T.C.E. - TEMPORARY CONSTRUCTION EASEMENT
 - U.E. - UTILITY EASEMENT
 - P.B.F.C. - PALM BEACH FARMS COMPANY PLAT NO. 1 (P.B. 2, PGS. 26 - 28)
 - - DENOTES TRACT NUMBER PER PALM BEACH FARMS COMPANY PLAT NO. 1 (P.B. 2, PG. 26)
 - N 737648.0171 E 905258.2326 - DENOTES STATE PLANE COORDINATES

NOTE:
 COORDINATES SHOWN ARE GRID COORDINATES
 DATUM = NAD 83 (1990 ADJUSTMENT)
 ZONE = FLORIDA EAST ZONE
 LINEAR UNIT = U.S. SURVEY FEET
 COORDINATE SYSTEM = 1983 STATE PLANE TRANSVERSE MERCATOR PROJECTION
 ALL DISTANCES ARE GROUND
 SCALE FACTOR = 1.000278
 PLAT BEARING = GRID BEARING
 NO ROTATION



SUBDIVISION VALENCIA GRAND ISLES
 BOOK 97
 FLOOD MAP # 2001A
 FLOOD ZONE
 ZONING
 QUAD # P51
 ZIP CODE 33414
 SE
 TAZ 4159
 PLAT NAME Valencia Grand Isles