

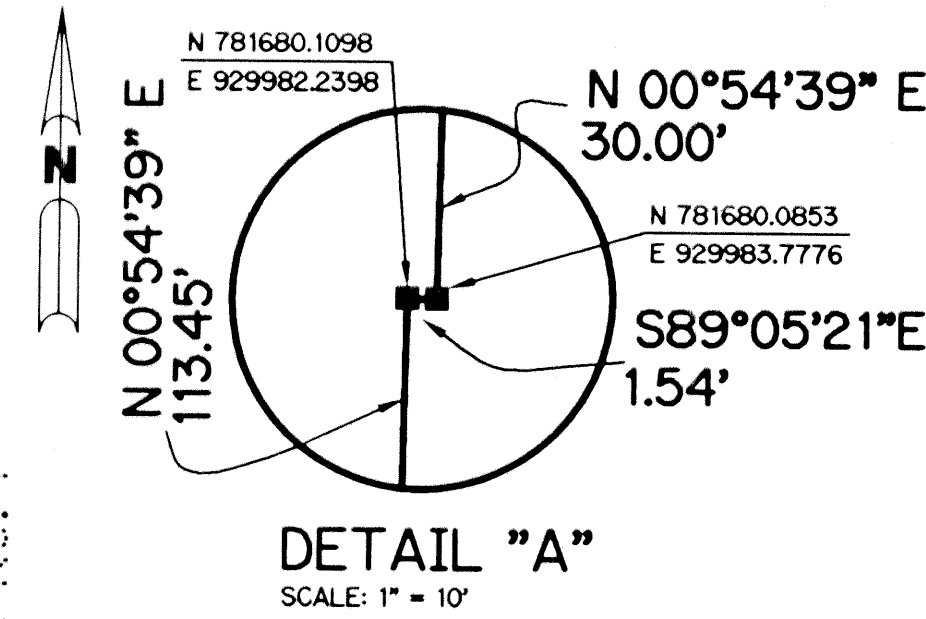
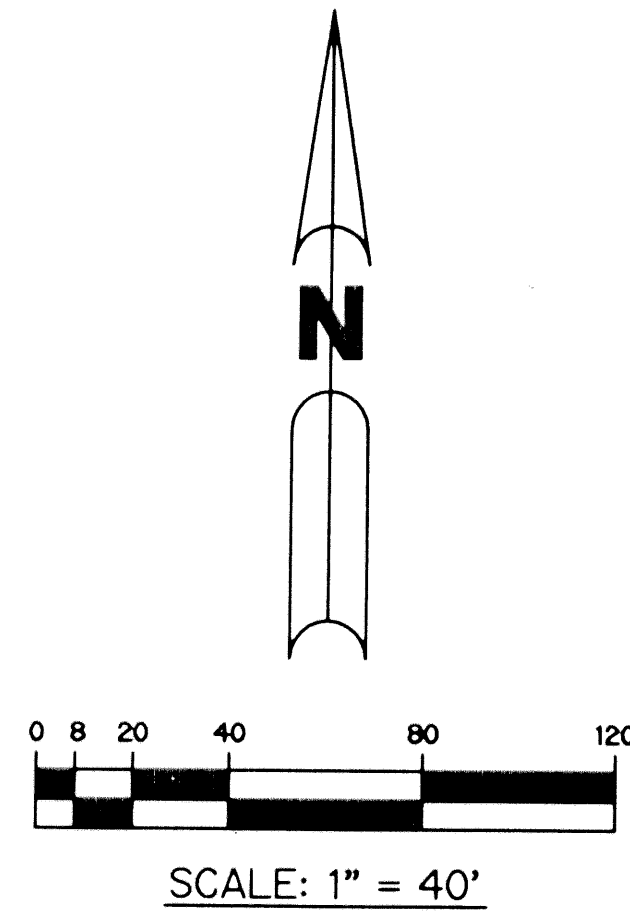
VALENCIA GRAND ISLES (AKA POLO TRACE PRD) PLANNED UNIT DEVELOPMENT

VALENCIA FALLS - PLAT TEN

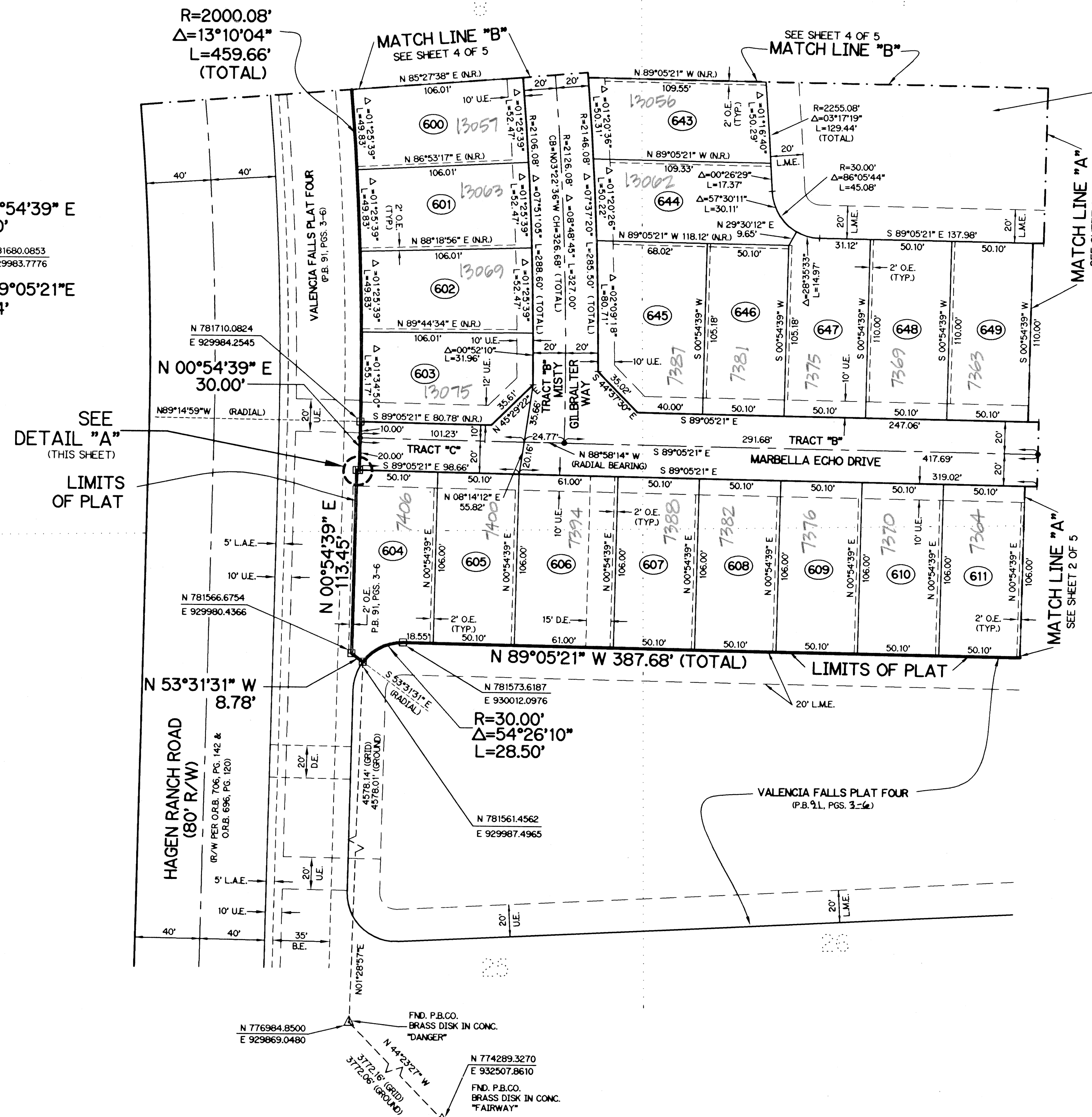
BEING A REPLAT OF A PORTION OF TRACTS 5 THROUGH 8 AND A PORTION OF TRACTS 25 THROUGH 28, PALM BEACH FARMS COMPANY PLAT NO. 1 AS RECORDED IN PLAT BOOK 2, PAGES 26 THROUGH 28 OF THE PUBLIC RECORDS OF PALM BEACH COUNTY, FLORIDA. LYING IN SECTION 9, TOWNSHIP 46 SOUTH, RANGE 42 EAST, PALM BEACH COUNTY, FLORIDA

SHEET 3 OF 5 APRIL, 2001

THIS INSTRUMENT PREPARED BY
PERRY C. WHITE, P.S.M. 4213, STATE OF FLORIDA
LAWSON, NOBLE AND WEBB, INC., LB-6674
ENGINEERS PLANNERS SURVEYORS
420 COLUMBIA DRIVE, SUITE 110
WEST PALM BEACH, FLORIDA



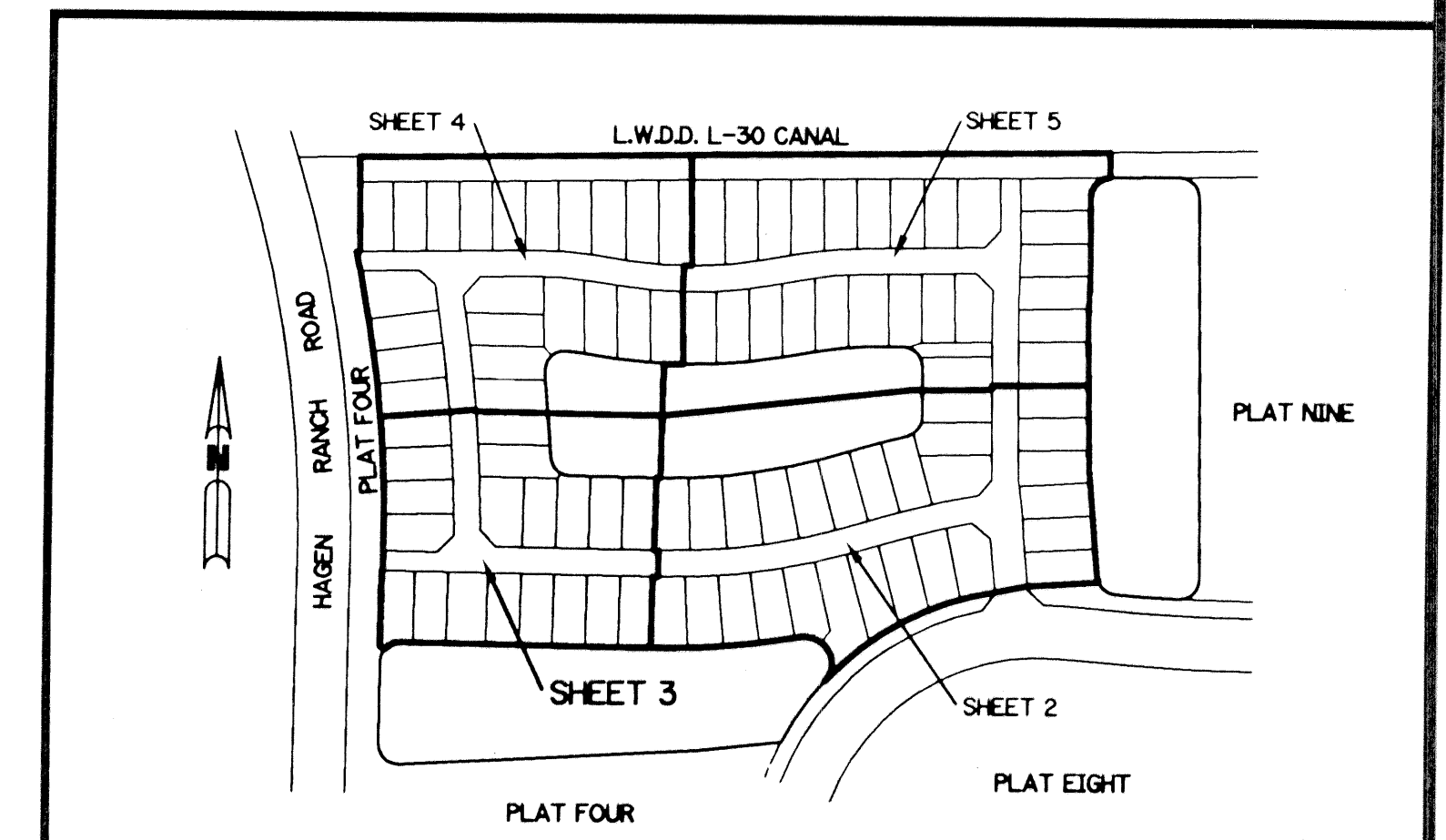
PALM BEACH FARMS COMPANY PLAT NO. 1
(P.B. 2, PGS. 25-28)



TRACT "L3"
WATER MANAGEMENT TRACT
(SHALL BE MAINTAINED BY VALENCIA FALLS HOMEOWNERS ASSOCIATION, INC. WITHOUT RECOURSE TO PALM BEACH COUNTY, AND SUBJECT TO EXISTING LITTORAL ZONE RESTRICTIVE COVENANT AGREEMENT AS RECORDED IN O.R.B. 12772, PG. 1467, PUBLIC RECORDS OF PALM BEACH COUNTY, FLORIDA)
2.187 ACRES

- LEGEND:**
- - SET PERMANENT REFERENCE MONUMENT, L.B. #6674
 - - FOUND PERMANENT REFERENCE MONUMENT, L.B. #6674
 - - SET PERMANENT CONTROL POINT, L.B. #6674
 - - FOUND PERMANENT CONTROL POINT, L.B. #6674
 - △ - DELTA ANGLE
 - B.E. - BUFFER EASEMENT
 - CB - CHORD BEARING
 - CH - CHORD DISTANCE
 - C - CENTERLINE
 - D.B. - DEED BOOK
 - D.E. - DRAINAGE EASEMENT
 - L - ARC LENGTH
 - L.A.E. - LIMITED ACCESS EASEMENT
 - L.M.A.E. - LAKE MAINTENANCE ACCESS EASEMENT
 - L.M.E. - LAKE MAINTENANCE EASEMENT
 - L.W.D.D. - LAKE WORTH DRAINAGE DISTRICT
 - N.R. - NOT RADIAL
 - N.T.S. - NOT TO SCALE
 - O.E. - OVERHANG EASEMENT
 - O.R.B. - OFFICIAL RECORD BOOK
 - P.B. - PLAT BOOK
 - PGS. - PAGES
 - P.S.M. - PROFESSIONAL SURVEYOR AND MAPPER
 - R - RADIUS
 - RAD. - RADIAL
 - R/W - RIGHT-OF-WAY
 - S.T. - SURVEY TIE
 - U.E. - UTILITY EASEMENT
 - P.B.F.C. - PALM BEACH FARMS COMPANY PLAT NO. 1 (P.B. 2, PGS. 26 - 28)
 - - DENOTES TRACT NUMBER PER PALM BEACH FARMS COMPANY PLAT NO. 1 (P.B. 2, PG. 26)
 - - DENOTES STATE PLANE COORDINATES
- N 737648.0171
E 905258.2326

NOTE:
COORDINATES SHOWN ARE GRID COORDINATES
DATUM = NAD 83 (1990 ADJUSTMENT)
ZONE = FLORIDA EAST ZONE
LINEAR UNIT = U.S. SURVEY FEET
COORDINATE SYSTEM = 1983 STATE PLANE TRANSVERSE MERCATOR PROJECTION
ALL DISTANCES ARE GROUND
SCALE FACTOR = 1.0000278
PLAT BEARING = GRID BEARING
NO ROTATION



KEY MAP
N.T.S.

VALENCIA FALLS - PLAT 10
92
51
09-19
400
200A
PLUD
53-446
VALENCIA GRAND ISLES (POLO TRACE)