



CARAHAN · PROCTOR · CROSS, INC.

CONSULTING ENGINEERS · SURVEYORS · PLANNERS

6101 WEST ATLANTIC BOULEVARD, MARGATE, FLORIDA 33063
PHONE: 954-972-3959 FAX: 954-972-4178

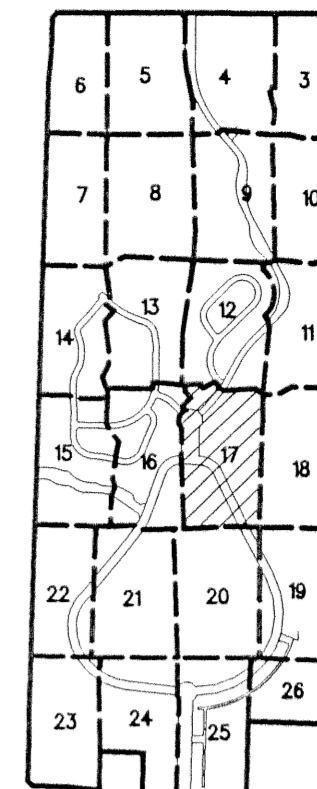
MAY 2002

990901B

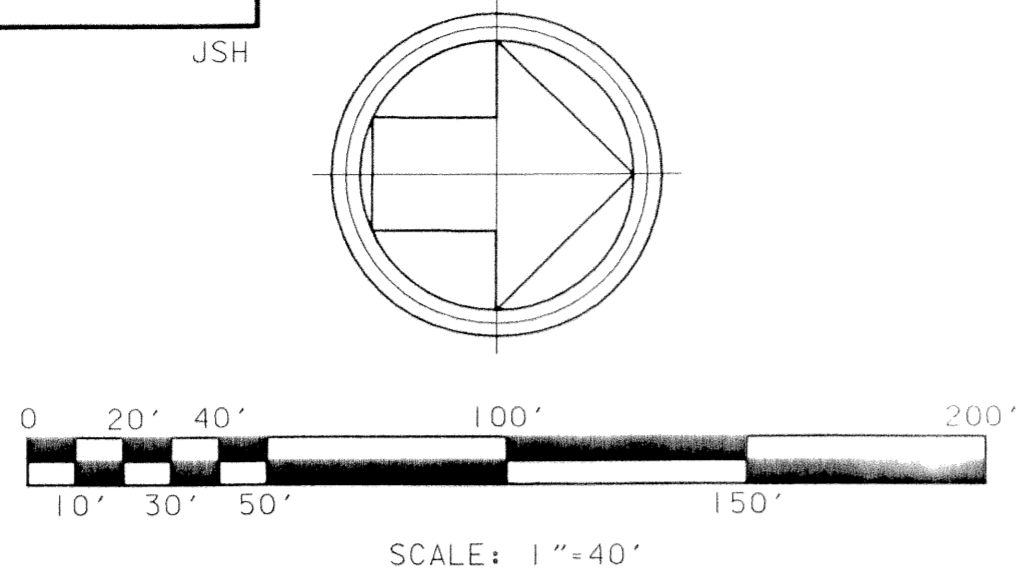
JSH

EVERGRENE PLAT TWO

A REPLAT OF A PORTION OF TRACT "A", "EVERGRENE" (P.B. 93, PGS. 117-119, P.B.C.R.)
CITY OF PALM BEACH GARDENS, PALM BEACH COUNTY, FLORIDA



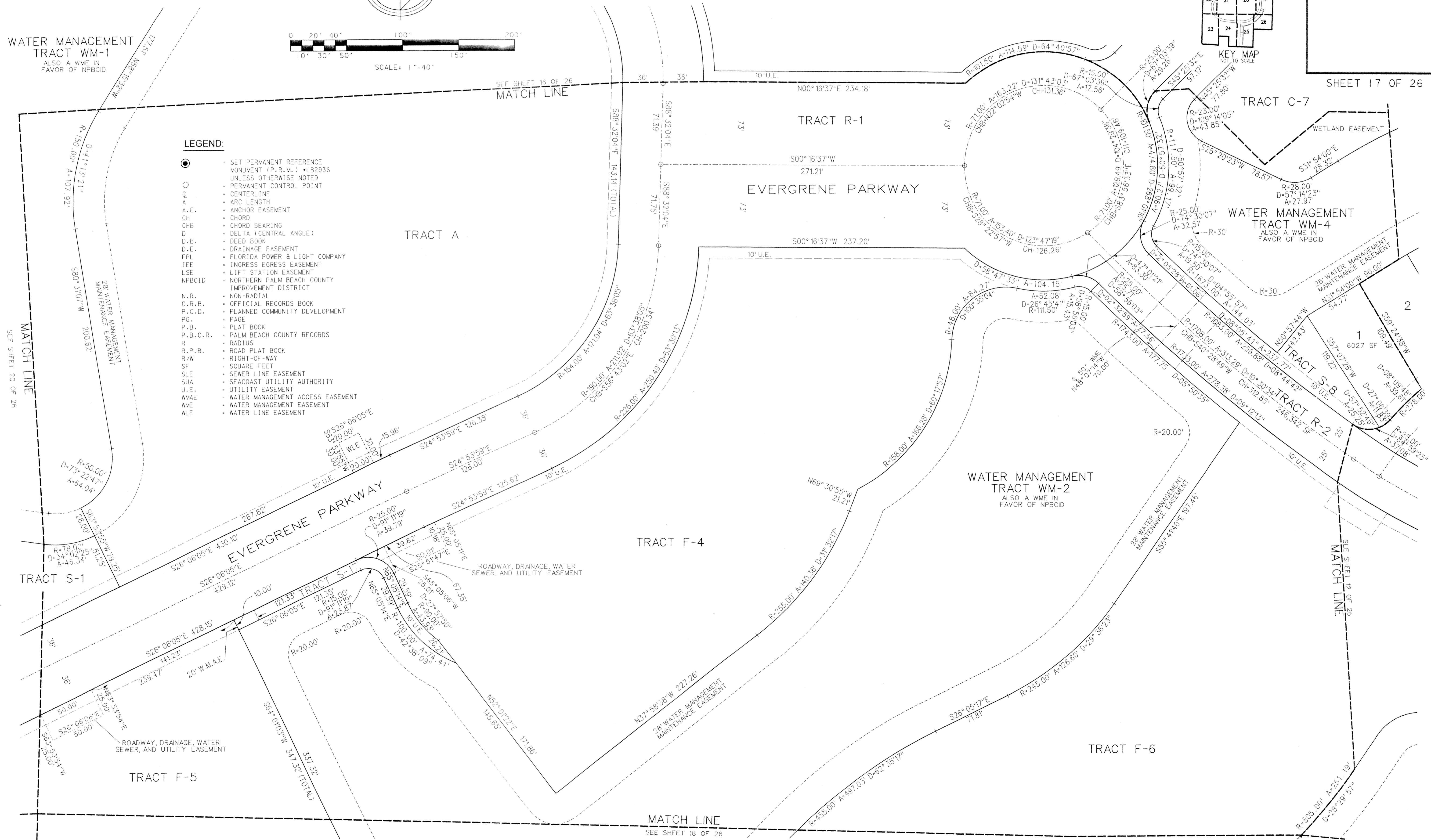
45



WATER MANAGEMENT TRACT WM-1
ALSO A WME IN FAVOR OF NPBCID

LEGEND:

- SET PERMANENT REFERENCE MONUMENT (P.R.M.) • LB2936 UNLESS OTHERWISE NOTED
- PERMANENT CONTROL POINT
- CENTERLINE
- A.E. ANCHOR EASEMENT
- CH CHORD
- CHB CHORD BEARING
- D DELTA (CENTRAL ANGLE)
- D.B. DEED BOOK
- D.E. DRAINAGE EASEMENT
- FPL FLORIDA POWER & LIGHT COMPANY
- IEE INGRESS EGRESS EASEMENT
- LSE LIFT STATION EASEMENT
- NPBCID NORTHERN PALM BEACH COUNTY IMPROVEMENT DISTRICT
- N.R. NON-RADIAL
- O.R.B. OFFICIAL RECORDS BOOK
- P.C.D. PLANNED COMMUNITY DEVELOPMENT
- PG. PAGE
- P.B. PLAT BOOK
- P.B.C.R. PALM BEACH COUNTY RECORDS
- R RADIUS
- R.P.B. ROAD PLAT BOOK
- R/W RIGHT-OF-WAY
- SF SQUARE FEET
- SLE SEWER LINE EASEMENT
- SUA SEACOAST UTILITY AUTHORITY
- U.E. UTILITY EASEMENT
- WMAE WATER MANAGEMENT ACCESS EASEMENT
- WME WATER MANAGEMENT EASEMENT
- WLF WATER LINE EASEMENT



SHEET 17 OF 26

MATCH LINE
SEE SHEET 20 OF 26

MATCH LINE
SEE SHEET 16 OF 26

MATCH LINE
SEE SHEET 18 OF 26

MATCH LINE
SEE SHEET 12 OF 26

FILE: F:\990901\acad\99\cat2\ppl17.dgn
DATE: 16-May-02 16:24