



CARNAHAN · PROCTOR · CROSS, INC.

CONSULTING ENGINEERS · SURVEYORS · PLANNERS

6101 WEST ATLANTIC BOULEVARD, MARGATE, FLORIDA 33063  
PHONE: 954-972-3959 FAX: 954-972-4178

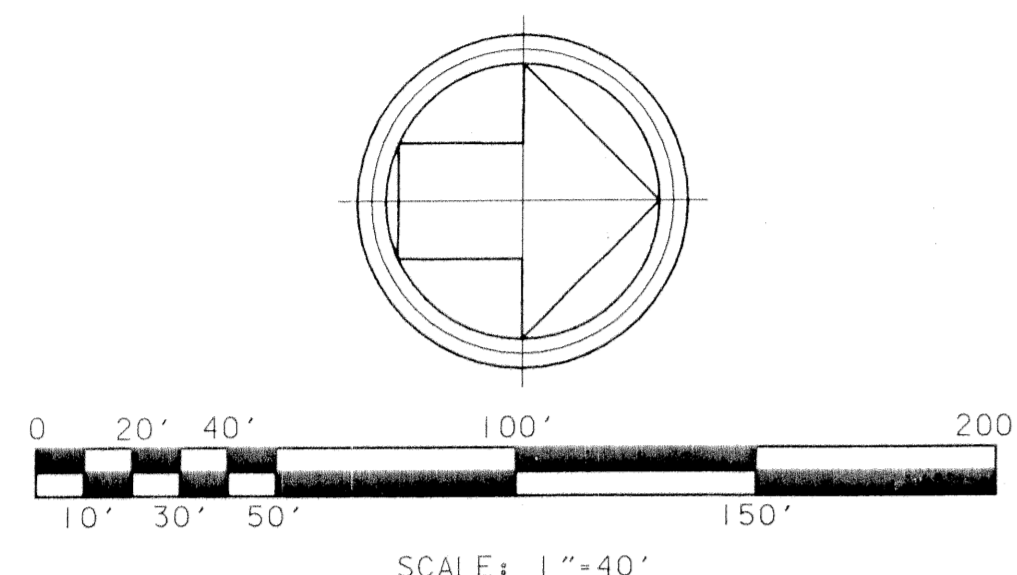
MAY 2002

990901B

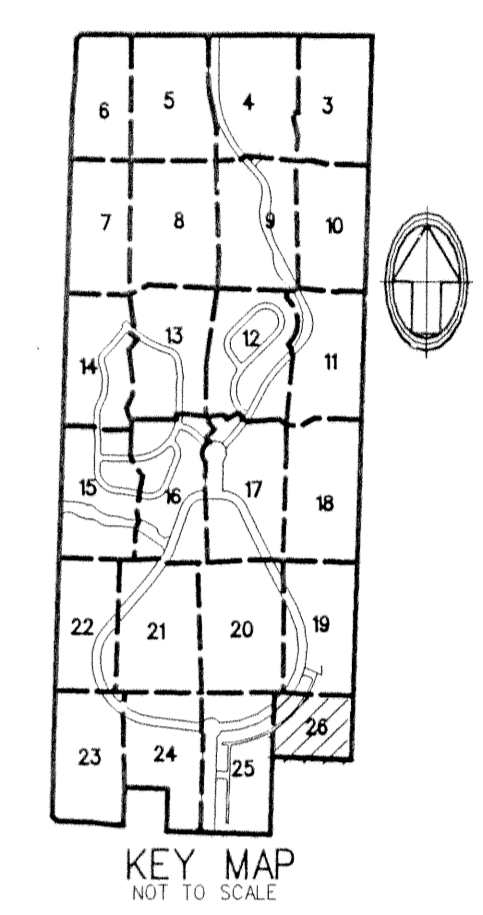
JSH

# EVERGRENE PLAT TWO

A REPLAT OF A PORTION OF TRACT "A", "EVERGRENE" (P.B. 93, PGS. 117-119, P.B.C.R.)  
CITY OF PALM BEACH GARDENS, PALM BEACH COUNTY, FLORIDA



SHEET 26 OF 26



**LEGEND:**

- SET PERMANENT REFERENCE MONUMENT (P.R.M.) \*LB2936 UNLESS OTHERWISE NOTED
- PERMANENT CONTROL POINT
- ⊙ CENTERLINE
- A ARC LENGTH
- A.E. ANCHOR EASEMENT
- CH CHORD
- CHB CHORD BEARING
- D DELTA (CENTRAL ANGLE)
- D.B. DEED BOOK
- D.E. DRAINAGE EASEMENT
- FPL FLORIDA POWER & LIGHT COMPANY
- IEE INGRESS EGRESS EASEMENT
- LSE LIFT STATION EASEMENT
- NPBCID NORTHERN PALM BEACH COUNTY IMPROVEMENT DISTRICT
- N.R. NON-RADIAL
- O.R.B. OFFICIAL RECORDS BOOK
- P.C.D. PLANNED COMMUNITY DEVELOPMENT
- PG. PAGE
- P.B. PLAT BOOK
- P.B.C.R. PALM BEACH COUNTY RECORDS
- R. RADIUS
- R.P.B. ROAD PLAT BOOK
- R/W RIGHT-OF-WAY
- SF SQUARE FEET
- SLE SEWER LINE EASEMENT
- SUA SEACOAST UTILITY AUTHORITY
- U.E. UTILITY EASEMENT
- WMAE WATER MANAGEMENT ACCESS EASEMENT
- WME WATER MANAGEMENT EASEMENT
- WLE WATER LINE EASEMENT

FILE: r:\990901\ccdd\p1\012p26.dgn  
DATE: 16-May-02 16:28