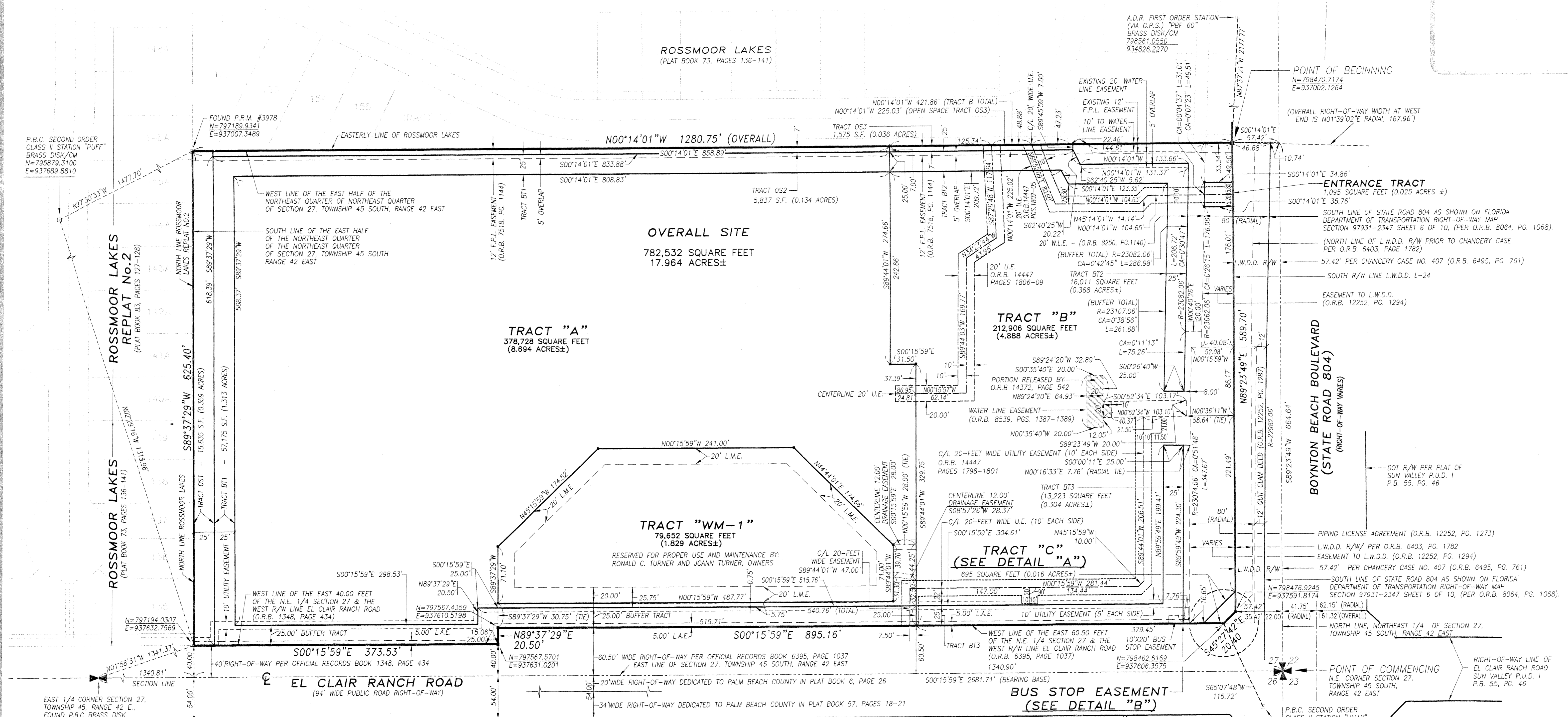
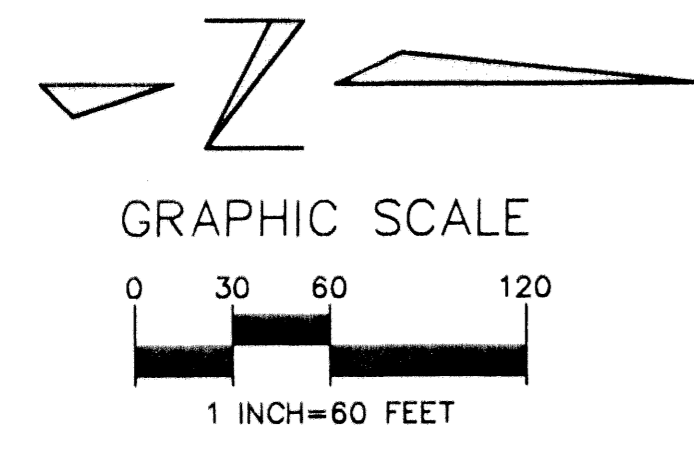


TURNER M.U.P.D.

BEING A PORTION OF THE NORTHEAST QUARTER OF SECTION 27,
TOWNSHIP 45 SOUTH, RANGE 42 EAST, PALM BEACH COUNTY, FLORIDA
NOVEMBER 2002 SHEET 2 OF 2



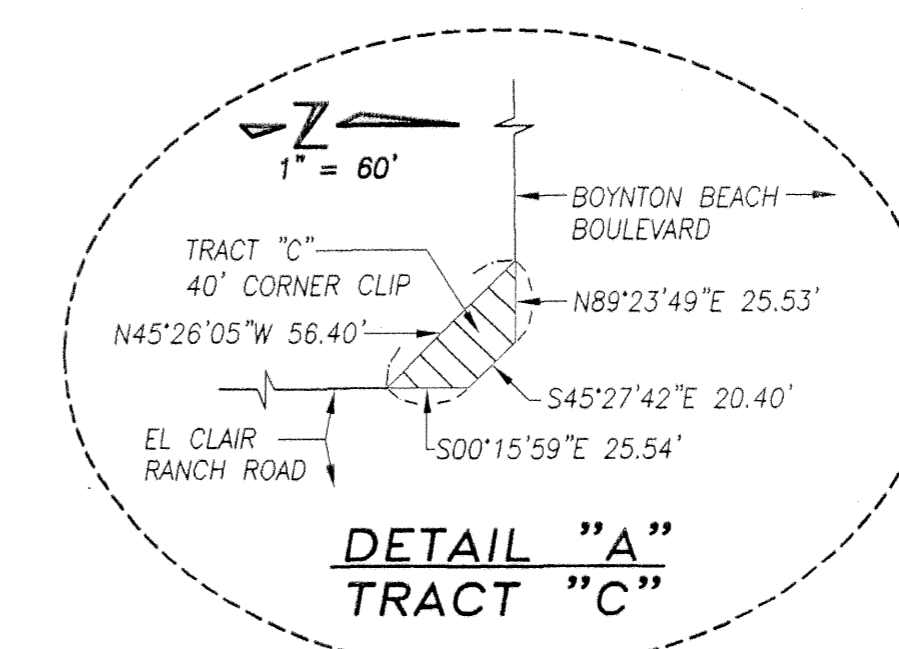
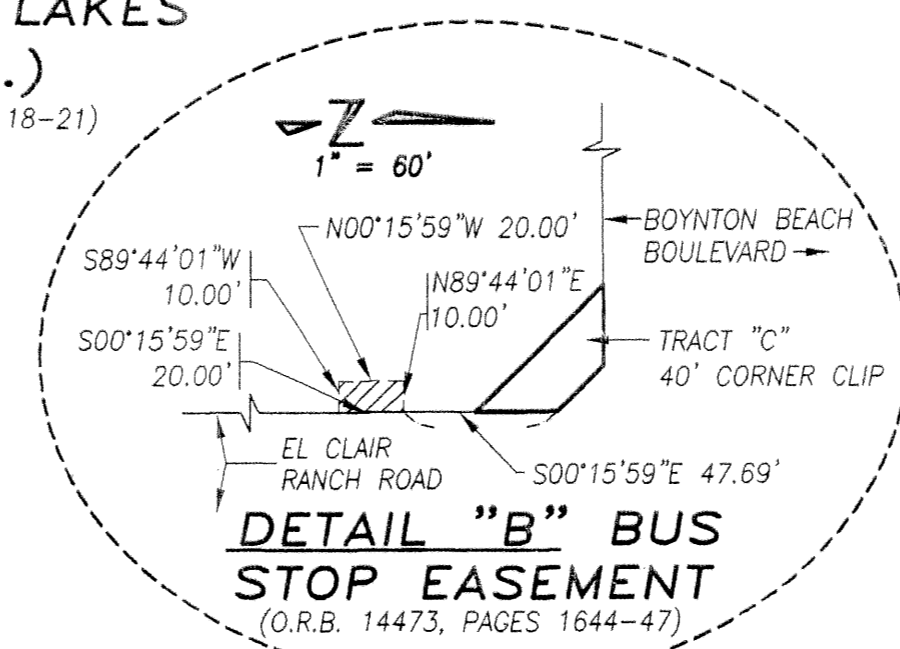
SYMBOLS LEGEND

PG.	PAGE	CM	CONCRETE MONUMENT
R	RADIUS	CN	NORTHING COORDINATE
P.B.	PLAT BOOK	EN	EASTING COORDINATE
C/L	CENTERLINE	P.B.C.	OFFICIAL RECORD BOOK
L	ARC LENGTH	O.R.B.	OFFICIAL RECORD BOOK
R/W	RIGHT-OF-WAY	F.P.L.	FLORIDA POWER & LIGHT
CA	CENTRAL ANGLE	D.E.	DRAINAGE EASEMENT
W.L.E.	WATER LINE EASEMENT	U.E.	UTILITY EASEMENT
L.A.E.	LIMITED ACCESS EASEMENT		
G.P.S.	GLOBAL POSITIONING SYSTEM		
P.U.D.	PLANNED UNIT DEVELOPMENT		
L.M.E.	LAKE MAINTENANCE EASEMENT		
□	CONCRETE MONUMENT (FOUND)		
○	TRACT CORNER MONUMENTATION		
●	LAKE WORTH DRAINAGE DISTRICT		
D.O.T.	DEPARTMENT OF TRANSPORTATION		
M.U.P.D.	MULTI-JUNIT PLANNED DEVELOPMENT		
P.R.M.	PERMANENT REFERENCE MONUMENT		
■	SET PERMANENT REFERENCE MONUMENT (P.R.M.) "L.B. 4897"		

AREA SUMMARY

TRACT "A"	[RESIDENTIAL]	= 378,728 S.F. (8.694 ACRES)
TRACT "B"	[MEDICAL OFFICE]	= 212,906 S.F. (4.888 ACRES)
TRACT "C"	[PUBLIC STREET]	= 695 S.F. (0.016 ACRES)
TRACT "WM-1"	[LAKE TRACT]	= 79,652 S.F. (1.829 ACRES)
ENTRANCE TRACT	[INGRESS-EGRESS]	= 1,095 S.F. (0.025 ACRES)
BUFFER TRACTS	[LANDSCAPE BUFFER]	= 86,409 S.F. (1.984 ACRES)
TRACT BT1		= 57,175 S.F. (1.313 ACRES)
TRACT BT2		= 16,011 S.F. (0.368 ACRES)
TRACT BT3		= 13,223 S.F. (0.304 ACRES)
OPEN SPACE TRACTS [OPEN SPACE]		= 23,047 S.F. (0.529 ACRES)
IN TRACT "A"		
TRACT OS2		= 5,837 S.F. (0.134 ACRES)
TRACT OS1		= 15,635 S.F. (0.359 ACRES)
IN TRACT "B"		
TRACT OS3		= 1,575 S.F. (0.036 ACRES)
PLAT ACREAGE		782,532 S.F. (17.964 ACRES TOTAL)

NOTE: ACREAGE SUBTOTALS MAY NOT ADD UP DUE TO ROUNDING OFF.



Keshavarz & Associates, Inc.
CONSULTING ENGINEERS - SURVEYORS
1280 N. Congress Avenue, Suite 206
West Palm Beach, Florida 33409
Tel: (561) 689-8600 Fax: (561) 689-7476 LB 4897
THIS INSTRUMENT WAS PREPARED BY MANUEL A. GUTIERREZ, PSM
PROFESSIONAL SURVEYOR AND MAPPER NO. 4102
IN THE OFFICES OF KESHAVARZ & ASSOCIATES, INC.
11/24/02 12:04/2002 04:02:15 PM EST