

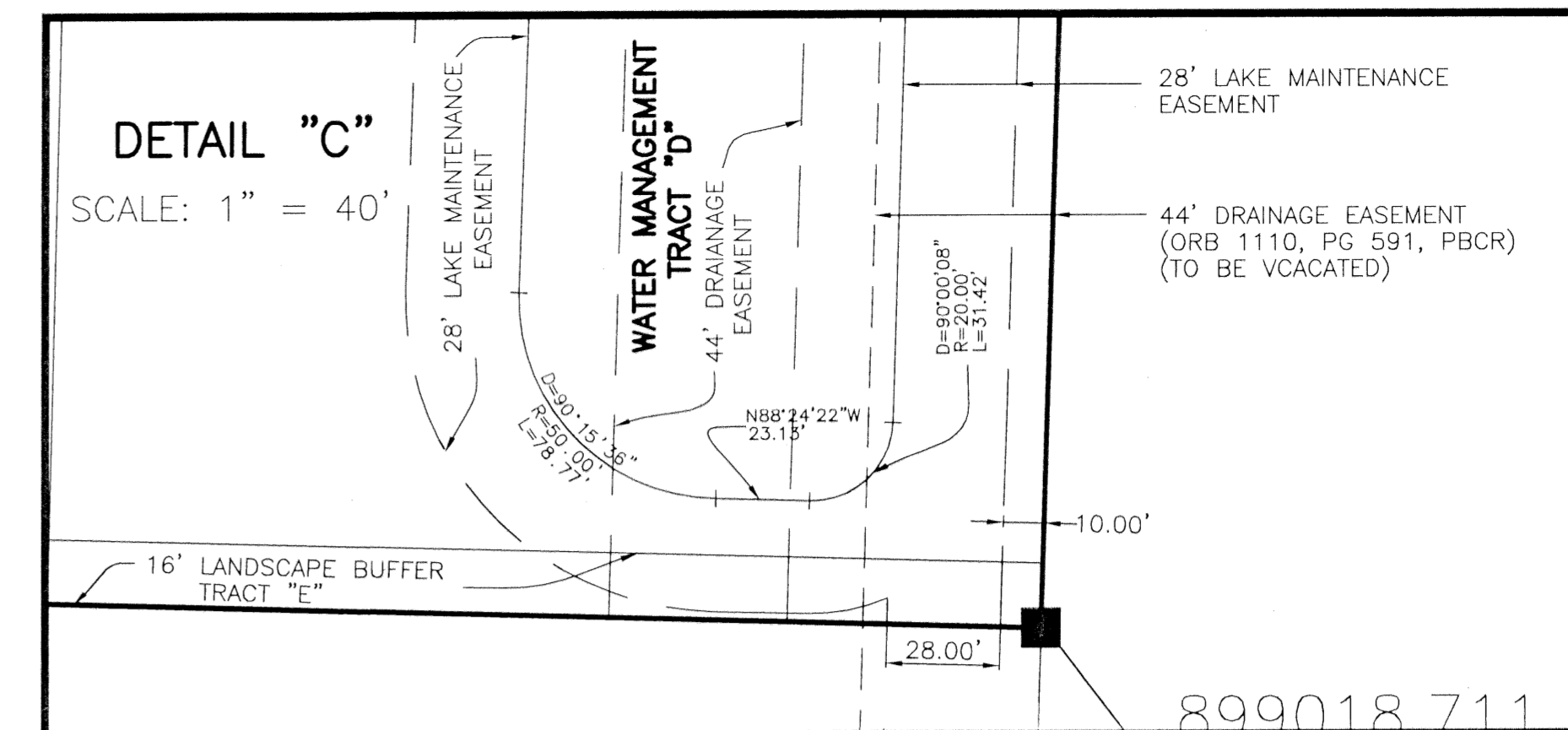
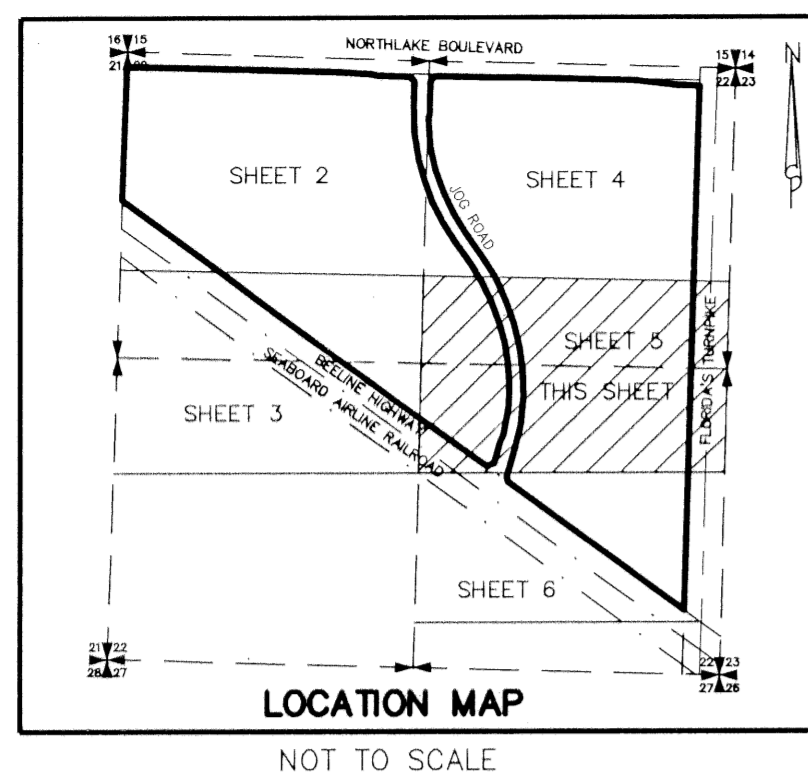
GABLES AT NORTHLAKE

A PARCEL OF LAND SITUATED IN SECTION 22, TOWNSHIP 42 SOUTH, RANGE 42 EAST, WITHIN IN THE CITY OF PALM BEACH GARDENS, PALM BEACH COUNTY, FLORIDA.

THIS INSTRUMENT PREPARED BY:
MICHAEL D. ROSE, PSM

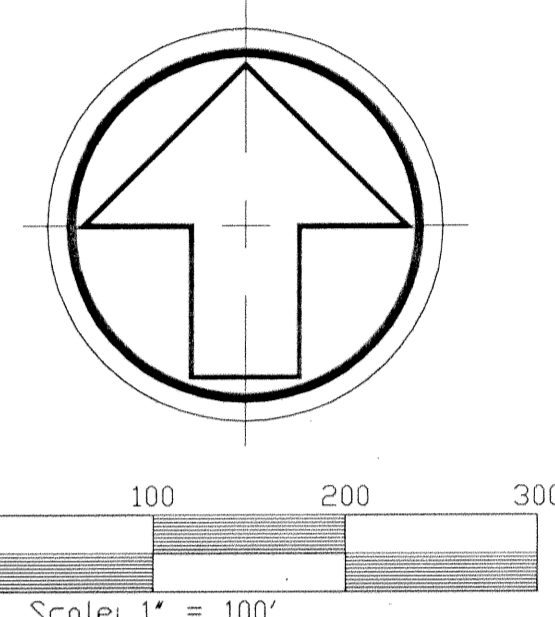
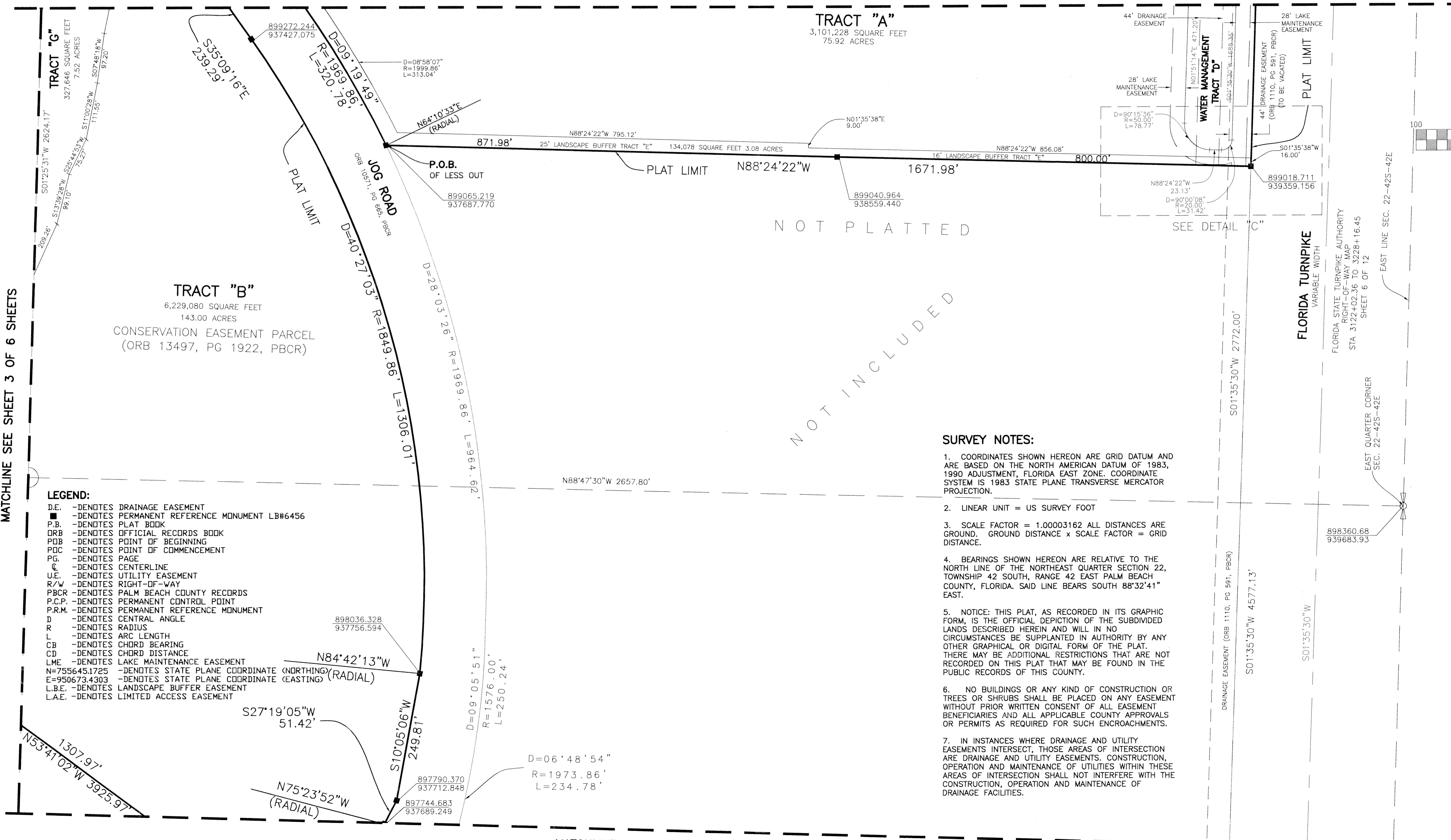
SDA SHAH & ASSOCIATES
ENGINEERING SURVEYING PLANNING
CERTIFICATE OF AUTHORIZATION NO. LB6456
1835 S. Perimeter Road • Suite 190 • Ft. Lauderdale, FL 33309
PH: 954-776-7604 • FAX: 954-776-7608

MARCH, 2002



STATE OF FLORIDA
COUNTY OF PALM BEACH
This Plat was filed for record at _____ M., this _____ day of _____, 2002, and duly recorded in Plat Book No. _____ on Pages _____ and _____
DOROTHY H. WILKEN, CLERK
BY: _____ DC

MATCHLINE SEE SHEET 4 OF 6 SHEETS



NOT PLATTED
NOT INCLUDED

- SURVEY NOTES:**
- COORDINATES SHOWN HEREON ARE GRID DATUM AND ARE BASED ON THE NORTH AMERICAN DATUM OF 1983, 1990 ADJUSTMENT, FLORIDA EAST ZONE. COORDINATE SYSTEM IS 1983 STATE PLANE TRANSVERSE MERCATOR PROJECTION.
 - LINEAR UNIT = US SURVEY FOOT
 - SCALE FACTOR = 1.00003162 ALL DISTANCES ARE GROUND. GROUND DISTANCE x SCALE FACTOR = GRID DISTANCE.
 - BEARINGS SHOWN HEREON ARE RELATIVE TO THE NORTH LINE OF THE NORTHEAST QUARTER SECTION 22, TOWNSHIP 42 SOUTH, RANGE 42 EAST PALM BEACH COUNTY, FLORIDA. SAID LINE BEARS SOUTH 88°32'41" EAST.
 - NOTICE: THIS PLAT, AS RECORDED IN ITS GRAPHIC FORM, IS THE OFFICIAL DEPICTION OF THE SUBDIVIDED LANDS DESCRIBED HEREIN AND WILL IN NO CIRCUMSTANCES BE SUPPLANTED IN AUTHORITY BY ANY OTHER GRAPHICAL OR DIGITAL FORM OF THE PLAT. THERE MAY BE ADDITIONAL RESTRICTIONS THAT ARE NOT RECORDED ON THIS PLAT THAT MAY BE FOUND IN THE PUBLIC RECORDS OF THIS COUNTY.
 - NO BUILDINGS OR ANY KIND OF CONSTRUCTION OR TREES OR SHRUBS SHALL BE PLACED ON ANY EASEMENT WITHOUT PRIOR WRITTEN CONSENT OF ALL EASEMENT BENEFICIARIES AND ALL APPLICABLE COUNTY APPROVALS OR PERMITS AS REQUIRED FOR SUCH ENCROACHMENTS.
 - IN INSTANCES WHERE DRAINAGE AND UTILITY EASEMENTS INTERSECT, THOSE AREAS OF INTERSECTION ARE DRAINAGE AND UTILITY EASEMENTS. CONSTRUCTION, OPERATION AND MAINTENANCE OF UTILITIES WITHIN THESE AREAS OF INTERSECTION SHALL NOT INTERFERE WITH THE CONSTRUCTION, OPERATION AND MAINTENANCE OF DRAINAGE FACILITIES.

MATCHLINE SEE SHEET 3 OF 6 SHEETS

MATCHLINE SEE SHEET 6 OF 6 SHEETS