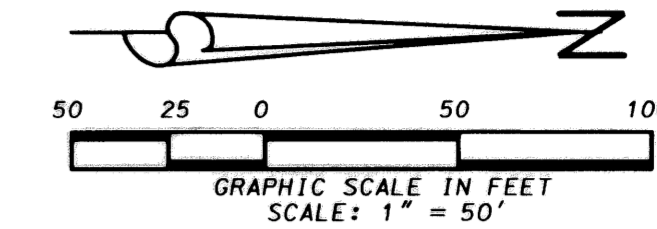
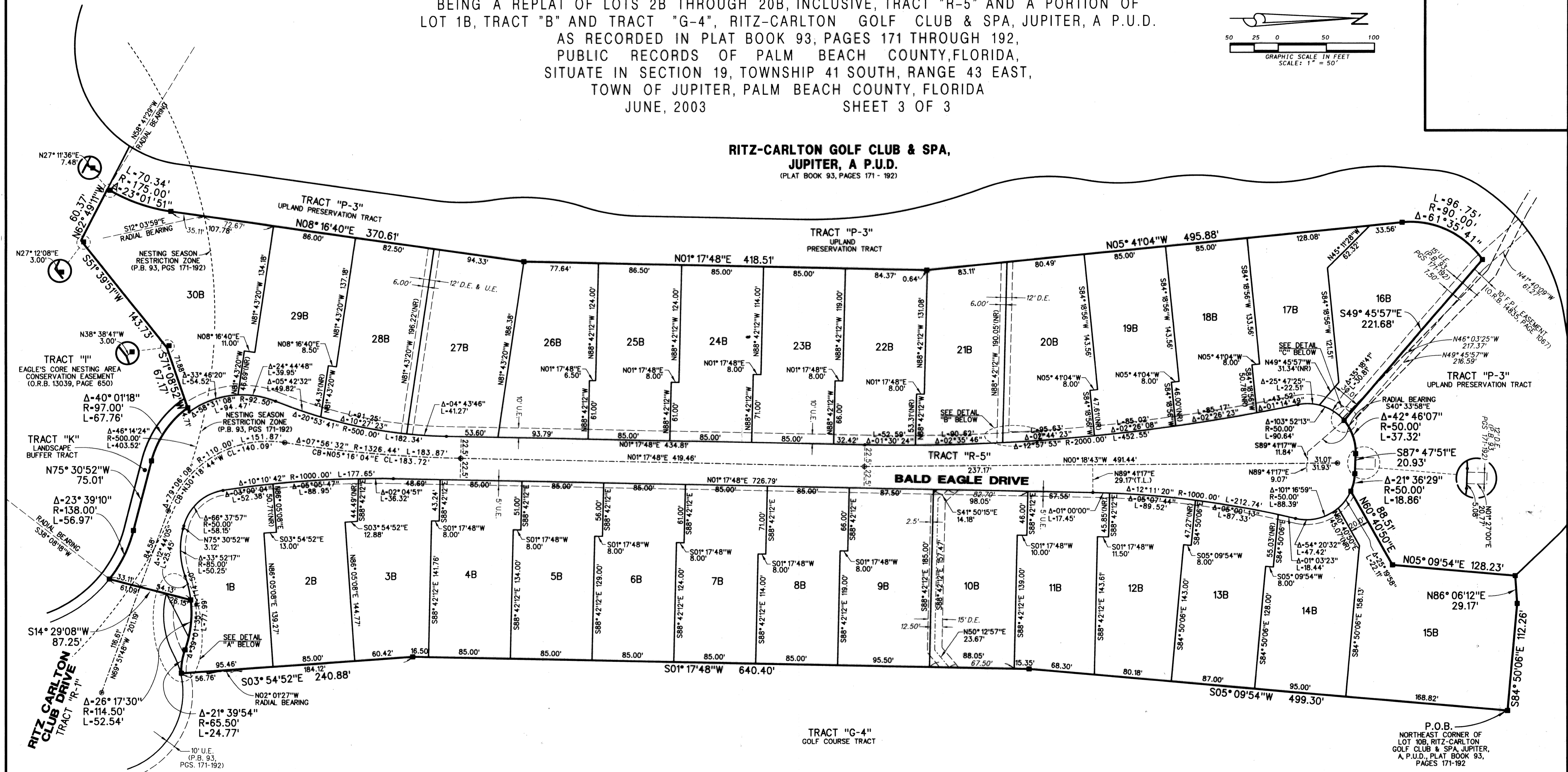


# RITZ-CARLTON GOLF CLUB & SPA, POD B, JUPITER, A P.U.D.

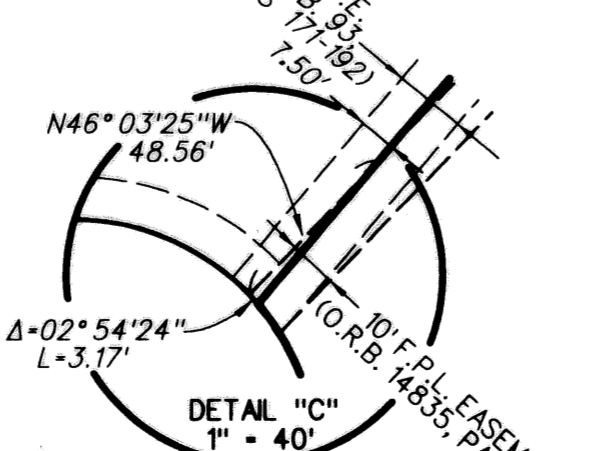
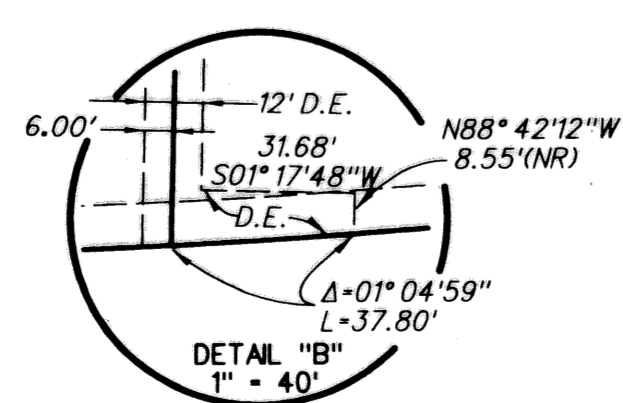
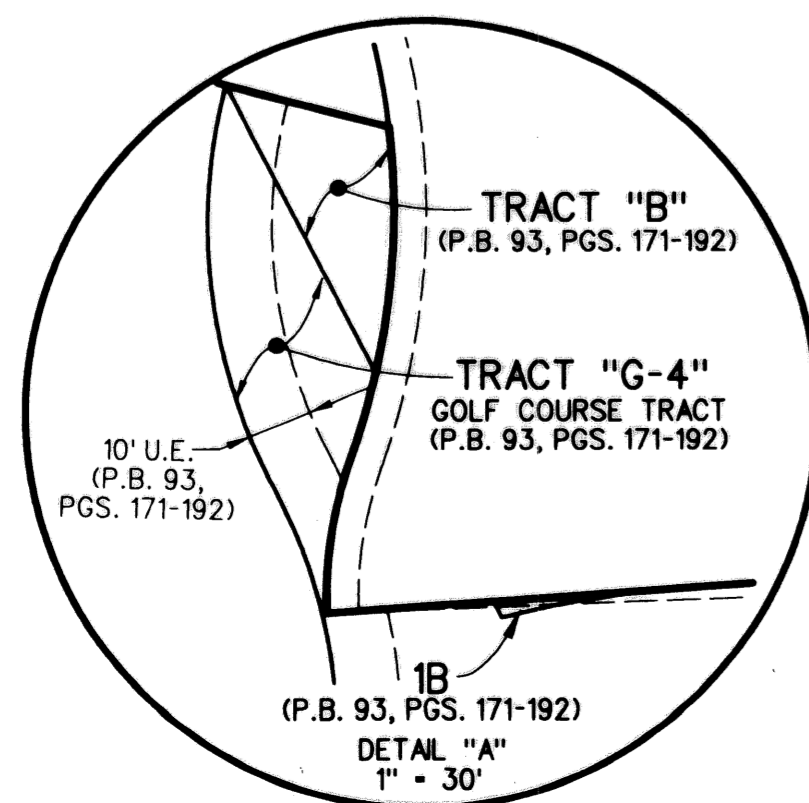
BEING A REPLAT OF LOTS 2B THROUGH 20B, INCLUSIVE, TRACT "R-5" AND A PORTION OF LOT 1B, TRACT "B" AND TRACT "G-4", RITZ-CARLTON GOLF CLUB & SPA, JUPITER, A P.U.D. AS RECORDED IN PLAT BOOK 93, PAGES 171 THROUGH 192, PUBLIC RECORDS OF PALM BEACH COUNTY, FLORIDA, SITUATE IN SECTION 19, TOWNSHIP 41 SOUTH, RANGE 43 EAST, TOWN OF JUPITER, PALM BEACH COUNTY, FLORIDA  
JUNE, 2003 SHEET 3 OF 3



RITZ-CARLTON GOLF CLUB & SPA, JUPITER, A P.U.D. (PLAT BOOK 93, PAGES 171 - 192)



RITZ-CARLTON GOLF CLUB & SPA, JUPITER, A P.U.D. (PLAT BOOK 93, PAGES 171 - 192)



**LIDBERG LAND SURVEYING, INC.**

CAD: K:\UST\194143\RITZ\1331306\SHEET3.DGN  
 REF: K:\UST\194143\RITZ\1331306\1331306.DGN  
 FLD: PG: JOB 01-133-306  
 OFF: R.W. DATE 04/14/03  
 CKD: D.C.L. SHEET 3 OF 3 DWG: D01-133P

675 West Indiantown Road, Suite 200, Jupiter, Florida 33458 TEL: 561-746-8454