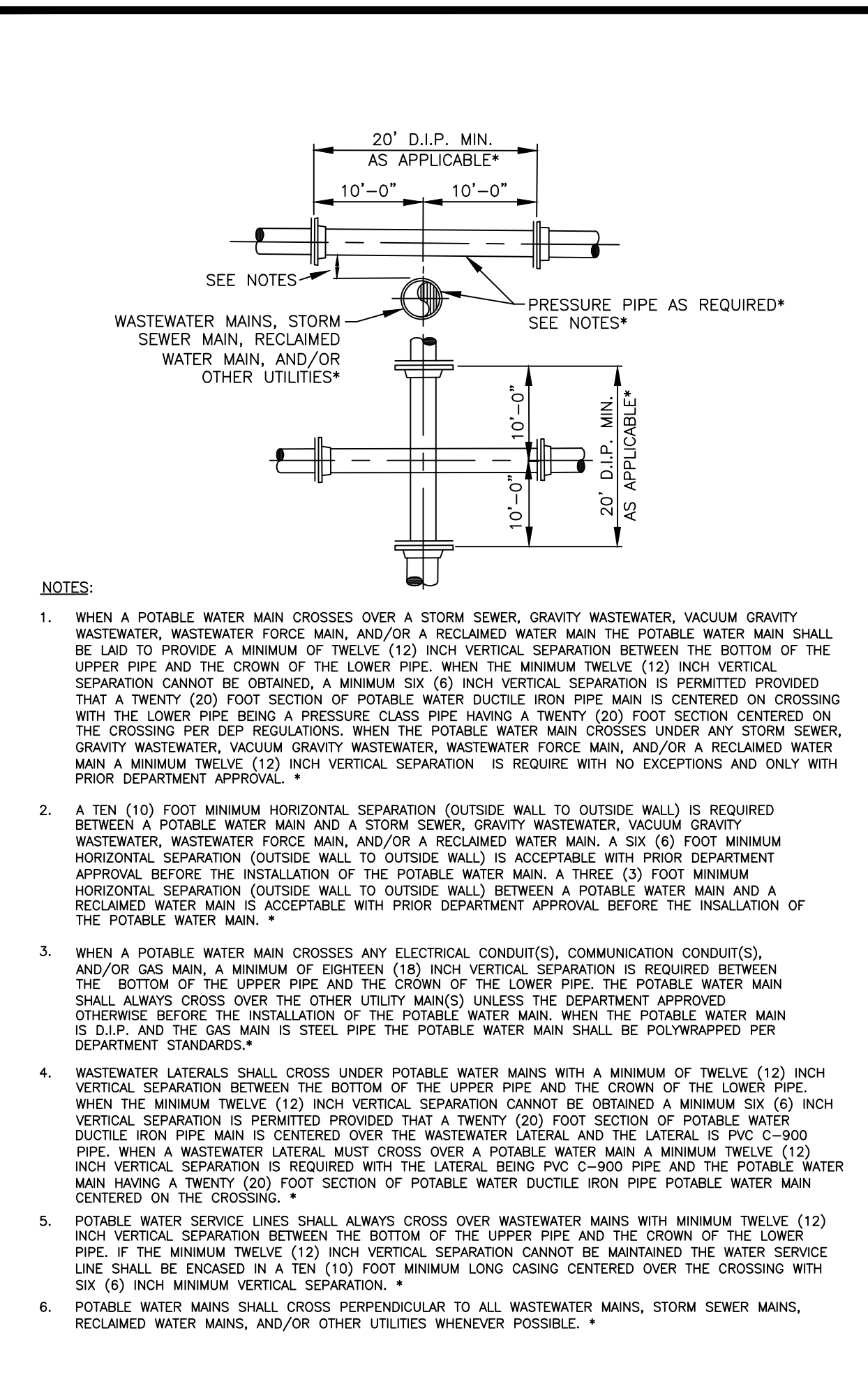


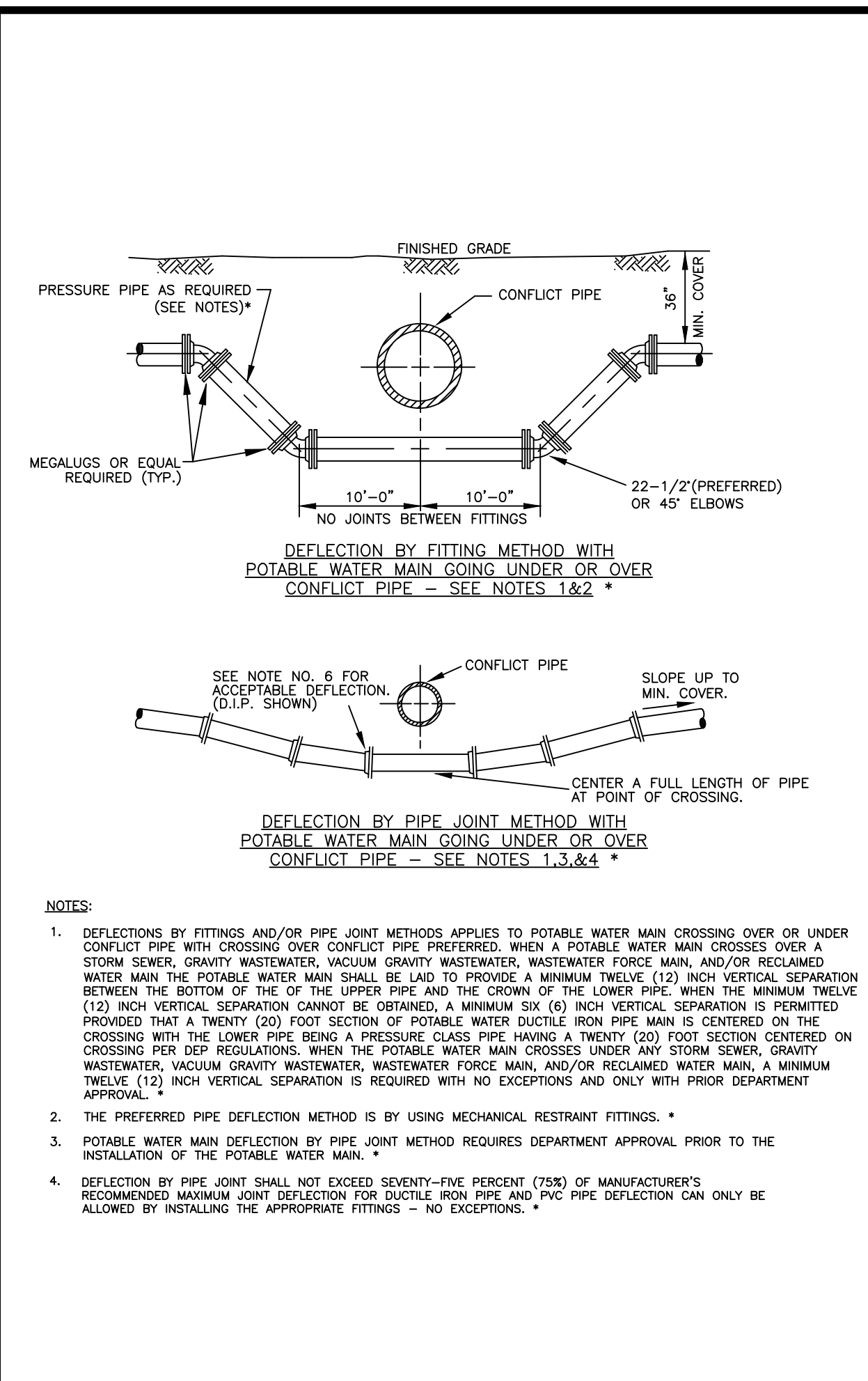
NO.	DATE	REVISION / REMARKS
	JUL 2019	GENERAL REVISION
*	JAN 2023	GENERAL REVISION

STD DETAILS

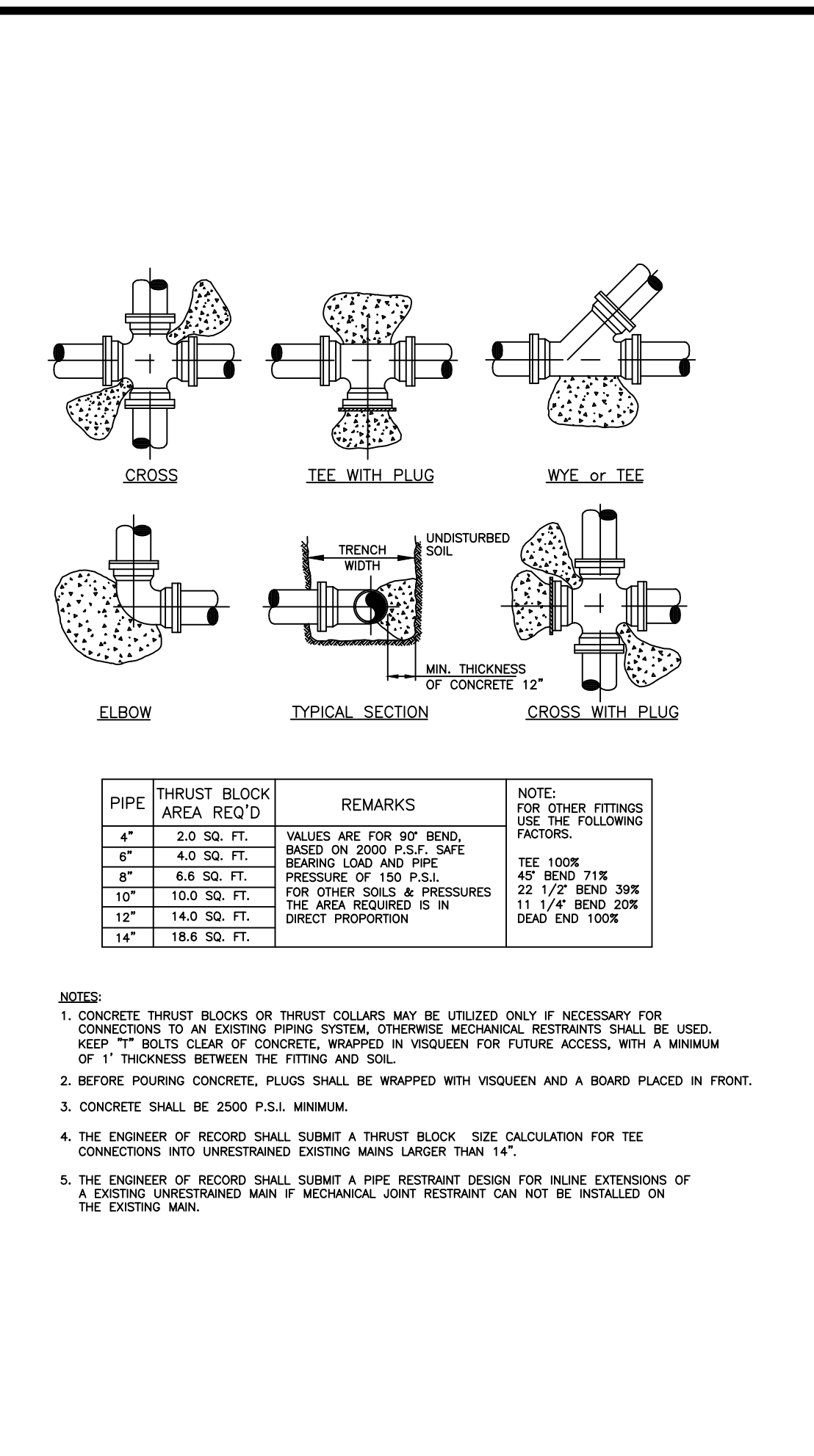
SHEET NUMBER
0
OF
0
SEAL



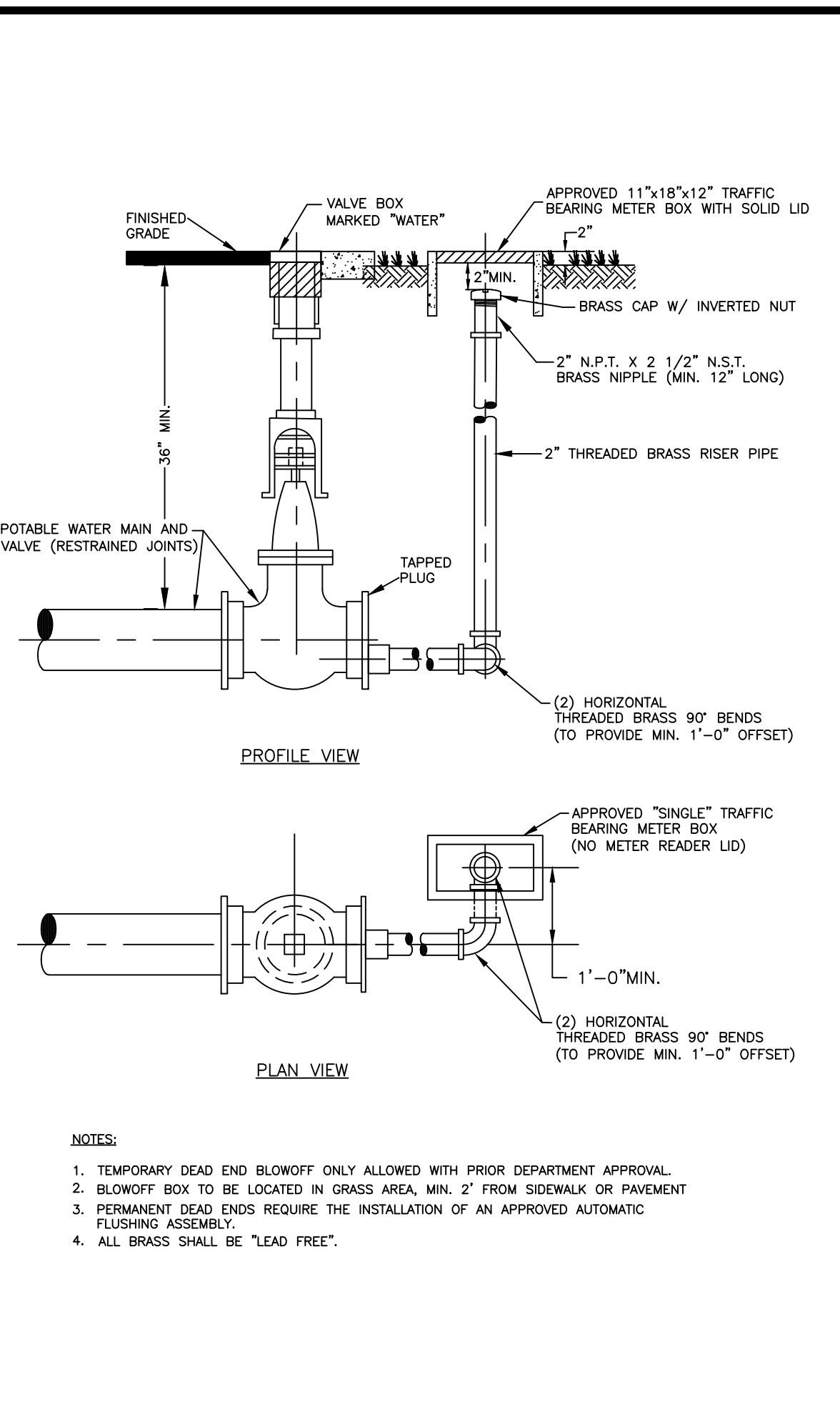
POTABLE WATER, WASTEWATER MAIN AND STORM SEWER CONFLICT *18W



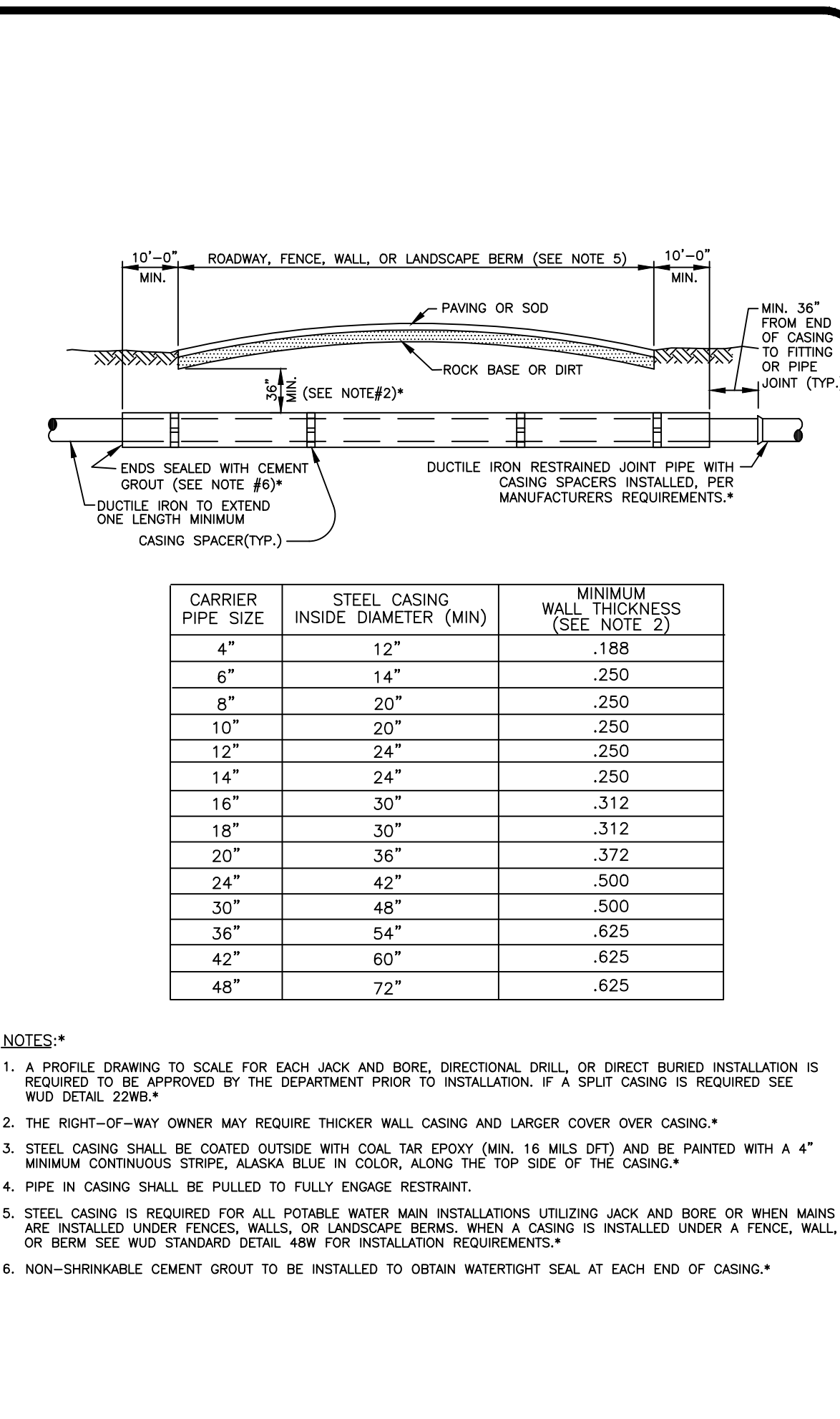
POTABLE WATER MAIN / FORCE MAIN PRESSURE PIPE CONFLICT DETAIL *19W



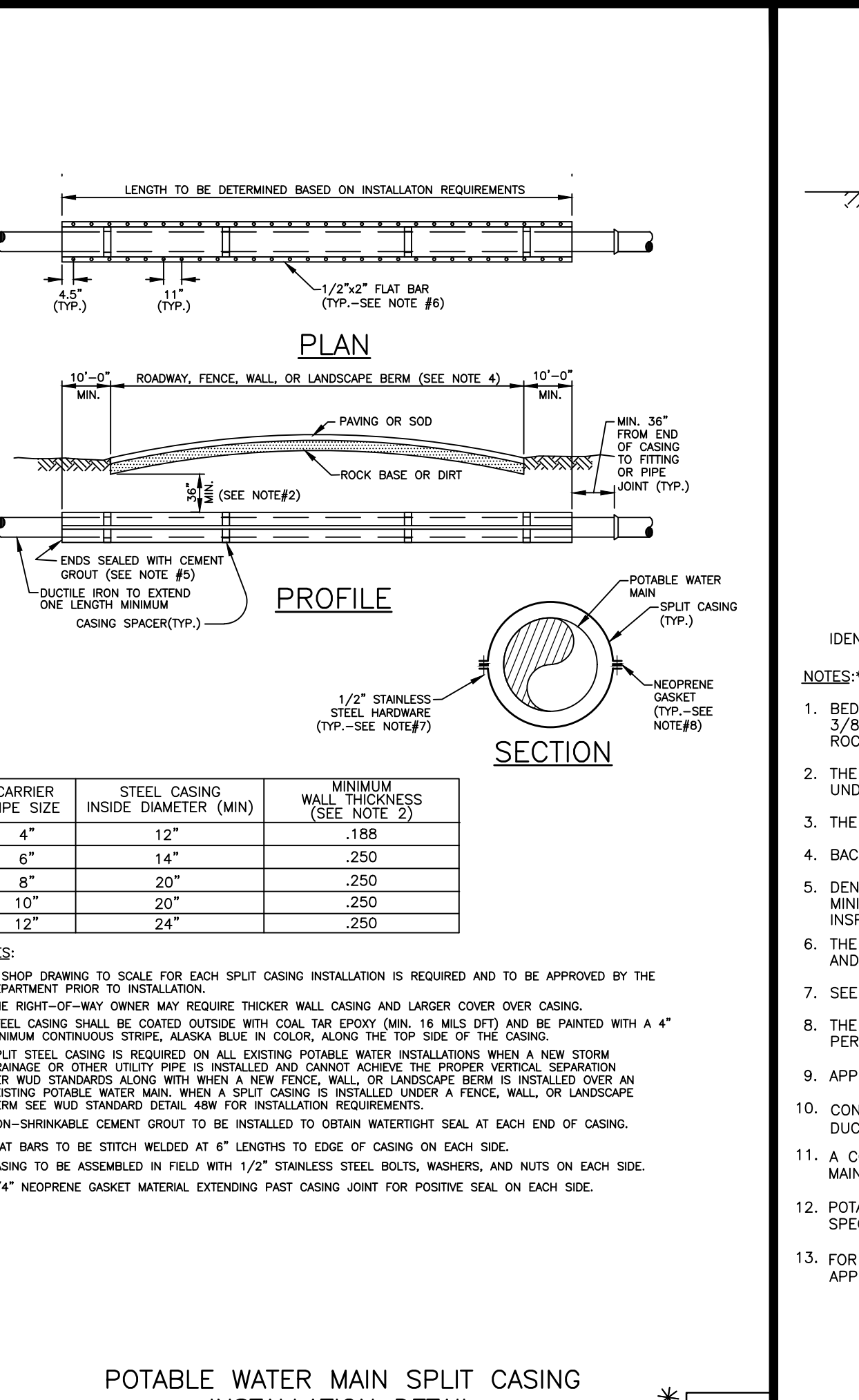
TYPICAL THRUST BLOCKS FOR PRESSURE PIPE *20W



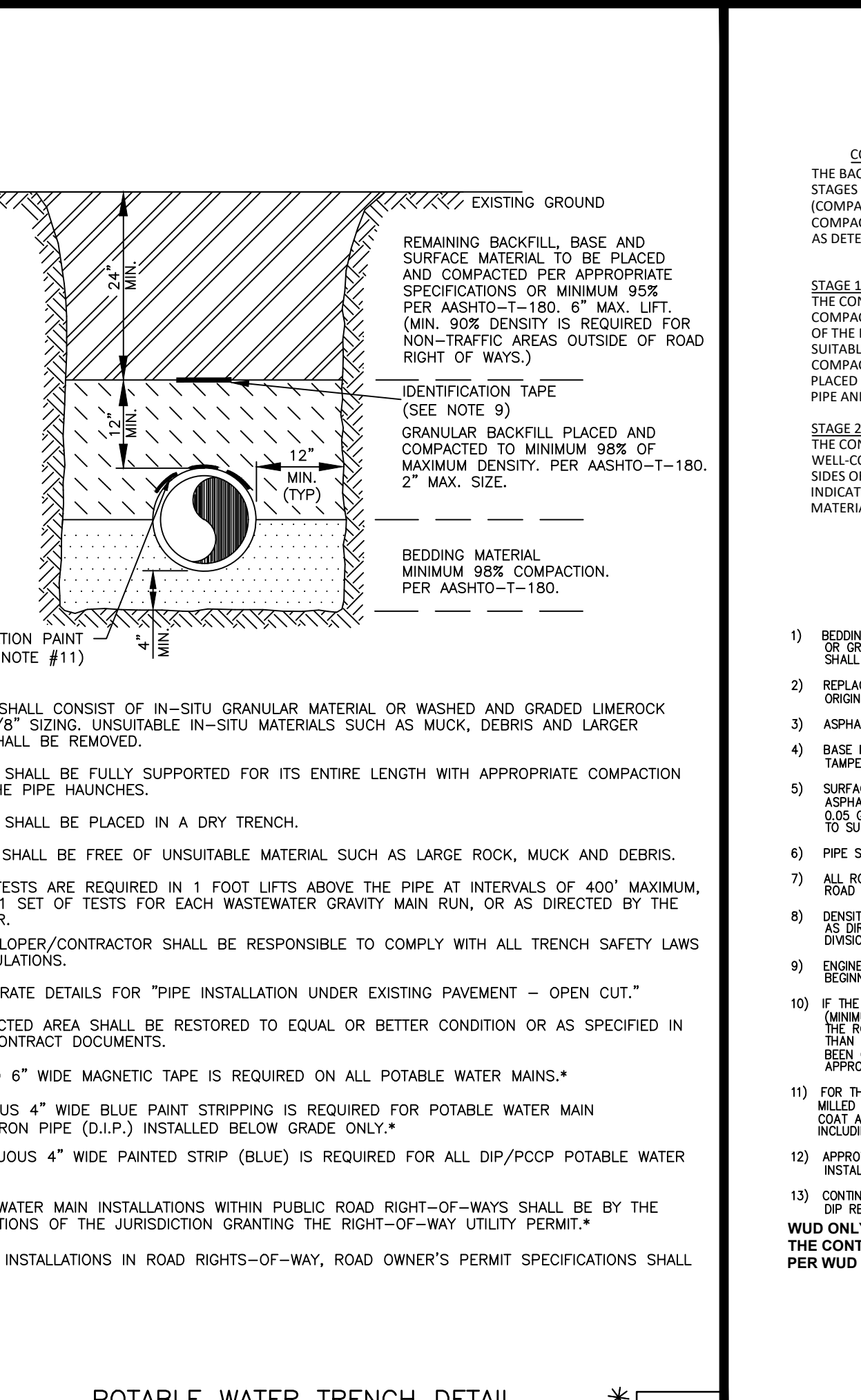
TYPICAL 2" TERMINAL BLOWOFF POTABLE WATER DISTRIBUTION MAINS *21W



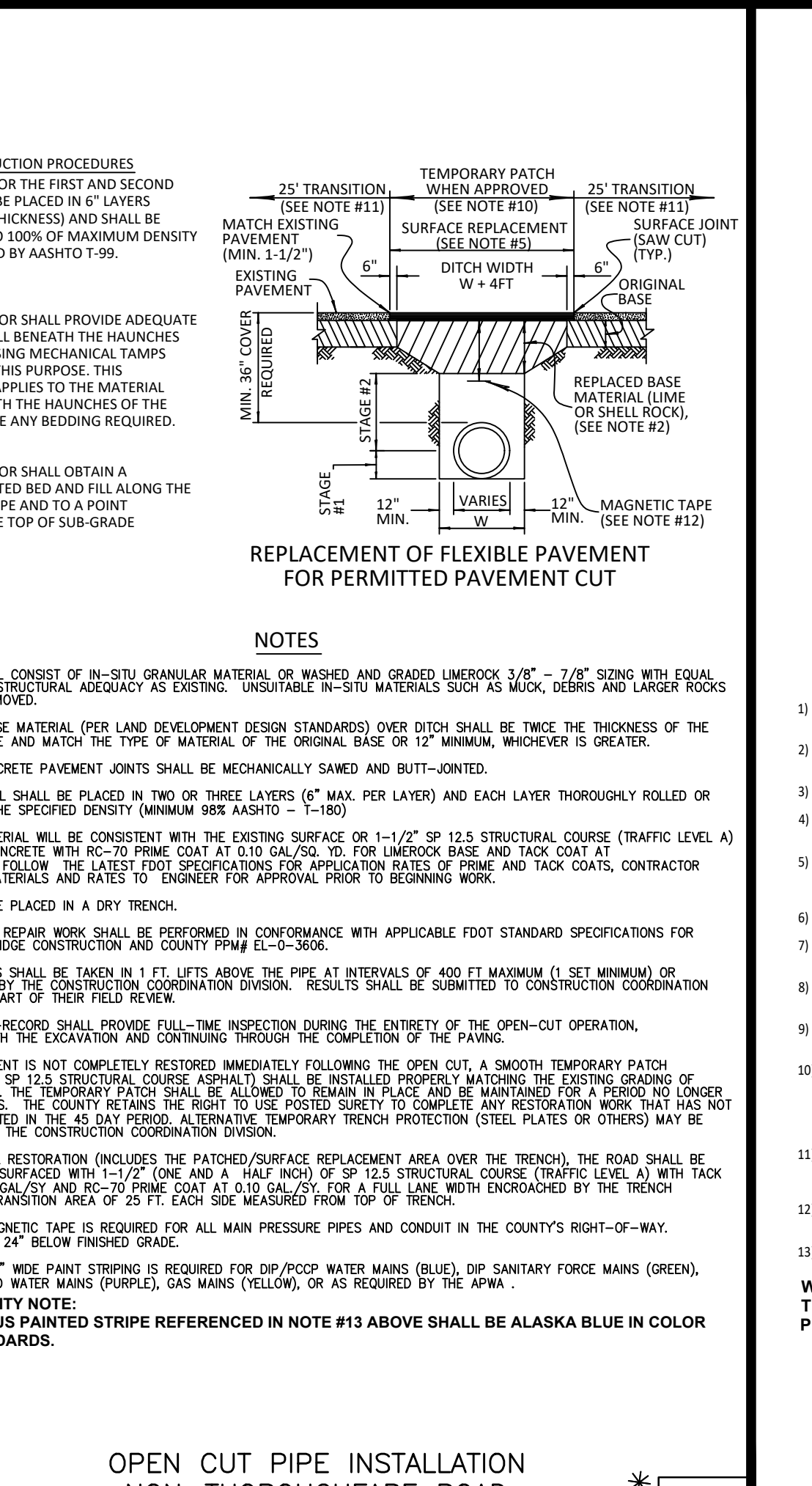
POTABLE WATER MAIN SOLID CASING INSTALLATION DETAIL *22WA



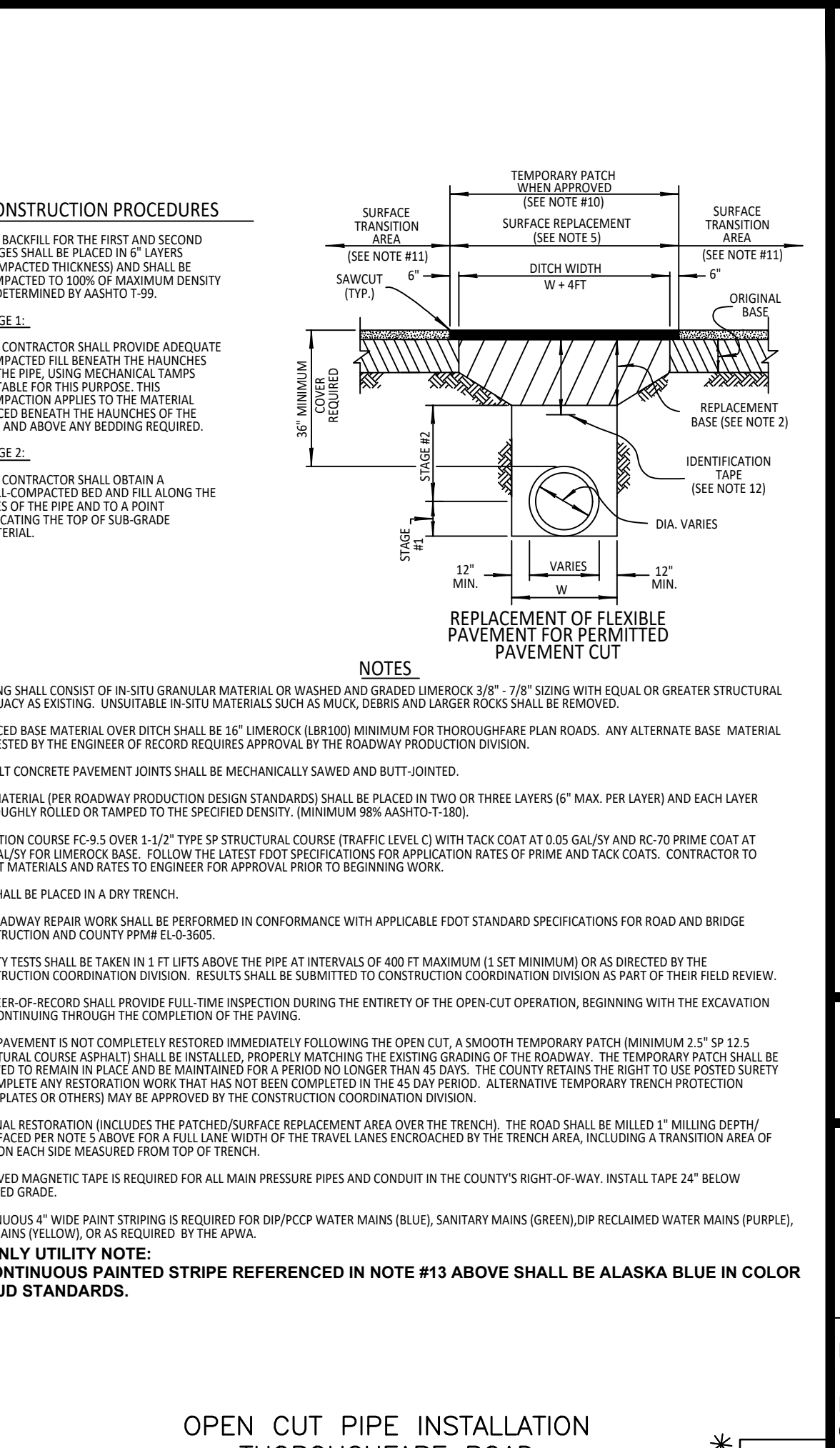
POTABLE WATER MAIN SPLIT CASING INSTALLATION DETAIL *22WB



POTABLE WATER TRENCH DETAIL *23W



OPEN CUT PIPE INSTALLATION NON-THOROUGHFARE ROAD *24W



OPEN CUT PIPE INSTALLATION THOROUGHFARE ROAD *25W

THIS SPACE INTENTIONALLY LEFT BLANK

POTABLE WATER #3 STANDARD DETAILS

CONSULTANT:

DESIGNED BY: WUD

DRAWN BY: M. BUCKNER

CHECKED BY: J. LAMMERT

APPROVED BY: WUD

Palm Beach County
Water Utilities Department
P.O. Box 16097
West Palm Beach, FL 33416-6097

Apr 07, 2023